

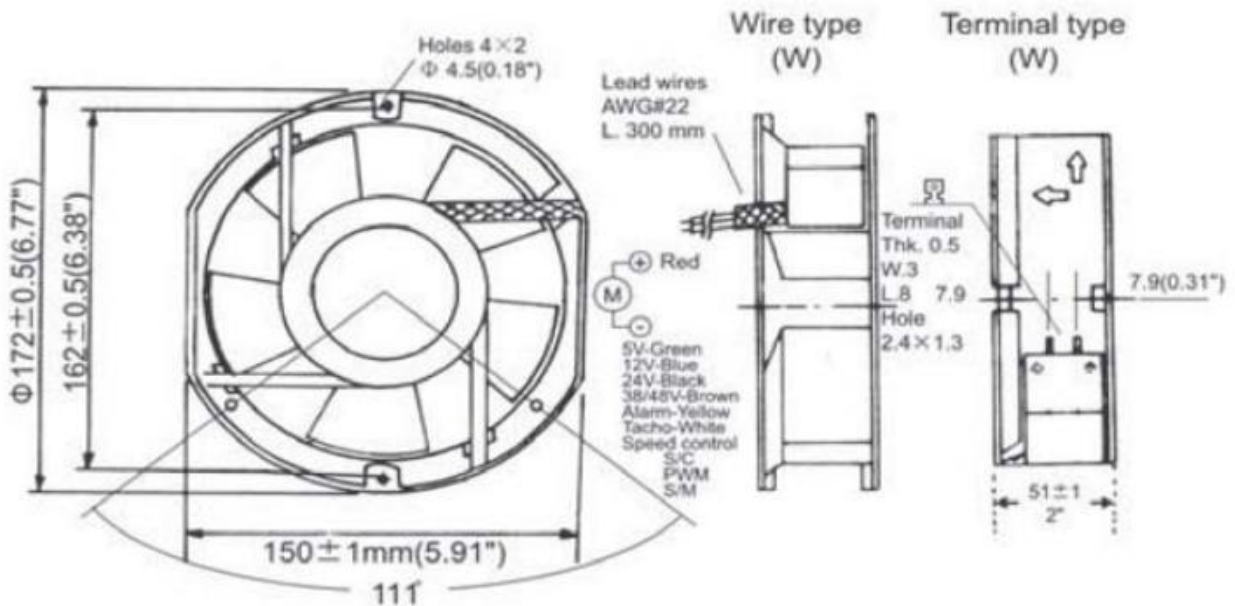
Datasheet

DC Axial Fan, 172 Dia. x 51mm, 391m³/h, 23W, 12 V dc (OD127SAP Series)

RS Stock 619-6719



Dimensions: (mm)





Specifications

- Frame: Die cast Aluminium , Black
- Impeller: Glass Reinforced PBT , UL94V-0

Available Options

- Tachometer
- Locked Rotor Alarm
- Thermal Speed Control

- MOTOR: Brushless DC, polarity protected, locked rotor protected (current limited), auto restart
- INSULATION RESISTANCE :Min. 10 M ohms at 500VDC
- LIFE EXPECTANCY (L10) :Ball Bearing 60,000 Hours
- Operating Temperature :-10C ~ +70C
- Safety Approvals: UL/CUL, TUV, CE

RS Part No.	Orion Part No.	Speed	Airflow	Noise	Volts	Voltage	Current	Connection Type
6196696	OD172SAP-12HB	3300	230	52	12	9~13	1.9	Wire
6246577	OD172SAP-12HTB	3300	230	52	12	9~13	1.9	Terminal
6196719	OD172SAP-24HB	3950	230	57	24	12~27.6	1.0	Wire