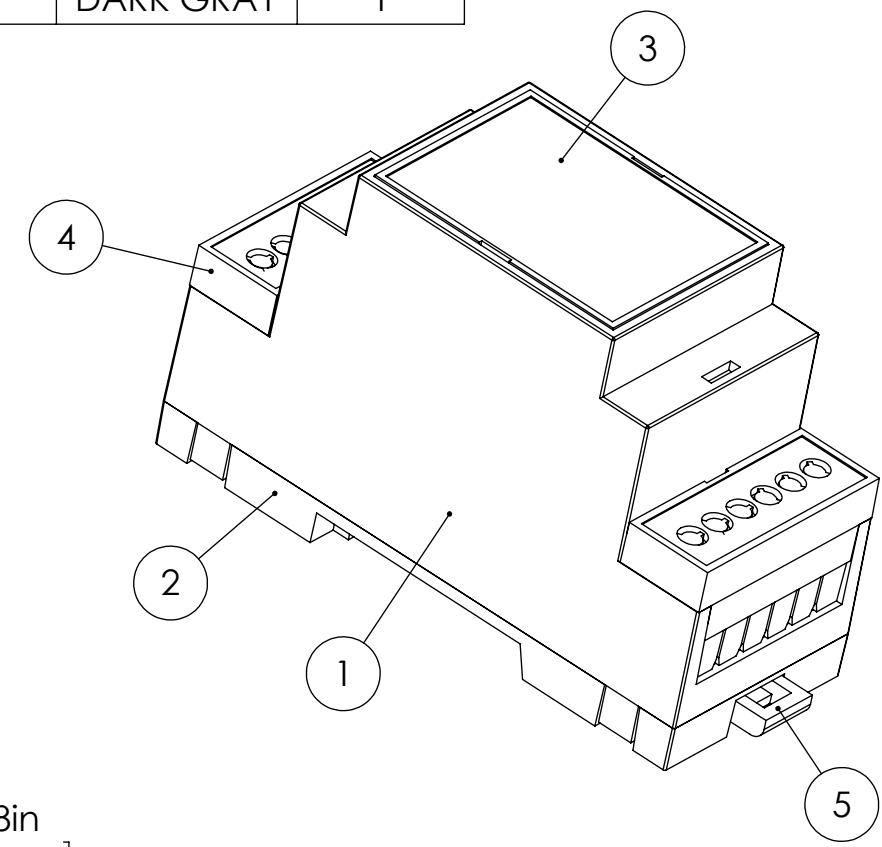
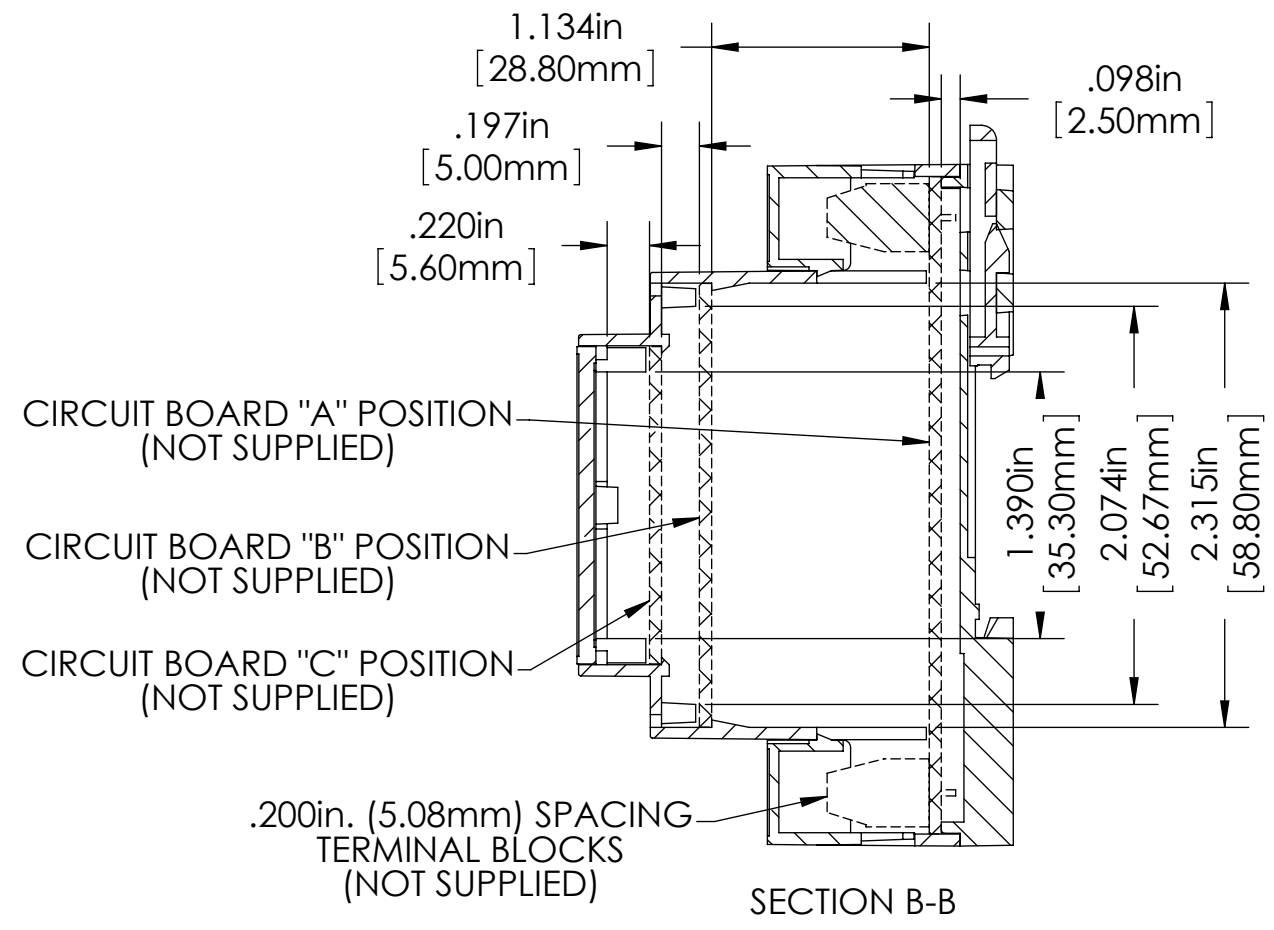
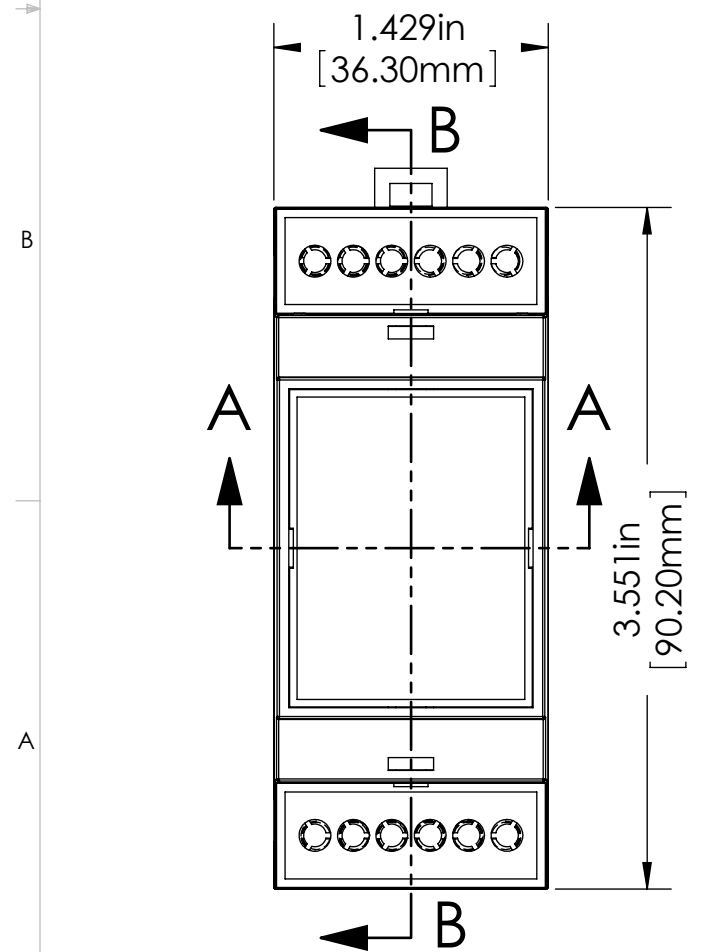
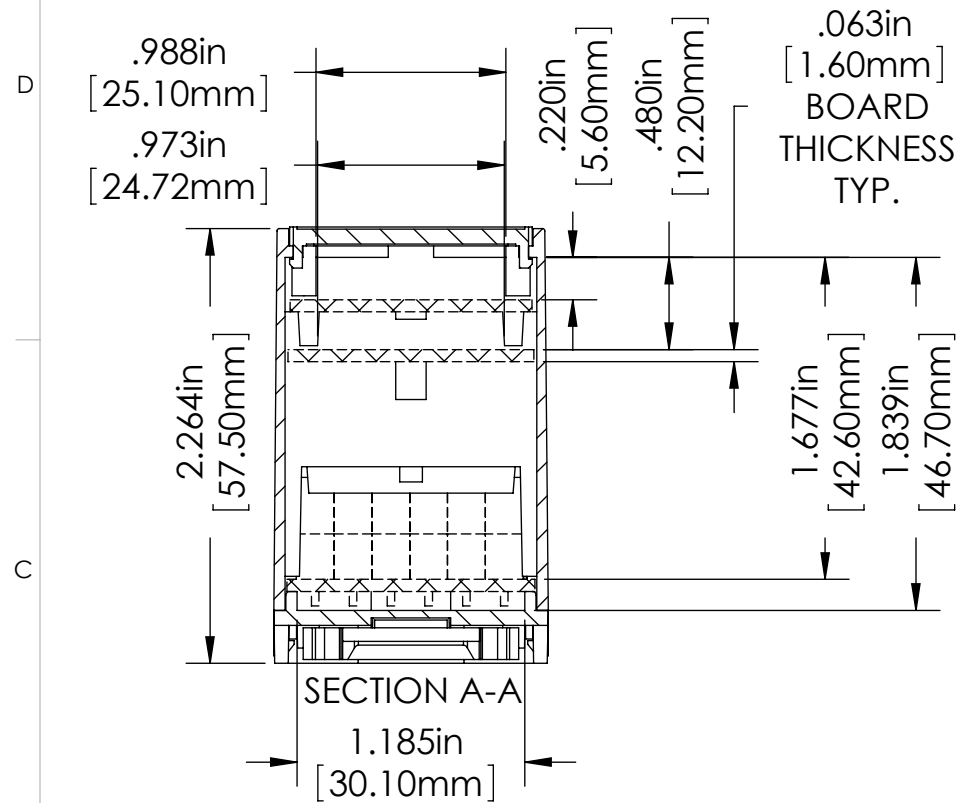


THE INFORMATION CONTAINED IN THIS DRAWING IS THE SOLE PROPERTY OF BUD INDUSTRIES INC. ANY REPRODUCTION IN PART OR WHOLE WITHOUT THE WRITTEN PERMISSION OF BUD INDUSTRIES INC. IS PROHIBITED.

ITEM NO.	DESCRIPTION	MATERIAL	COLOR	QTY.
1	BODY	PC/ABS UL94V-0	GRAY	1
2	BASE	PC/ABS UL94V-0	GRAY	1
3	COVER	PC/ABS UL94V-0	GRAY	1
4	GUARD	PC/ABS UL94V-0	GRAY	2
5	MOUNTING CLIP	NYLON 66	DARK GRAY	1

DWG. NO.	DMB-4770
ISSUE	REVISIONS
(A)	REVISIONS 12-6-10 DAB



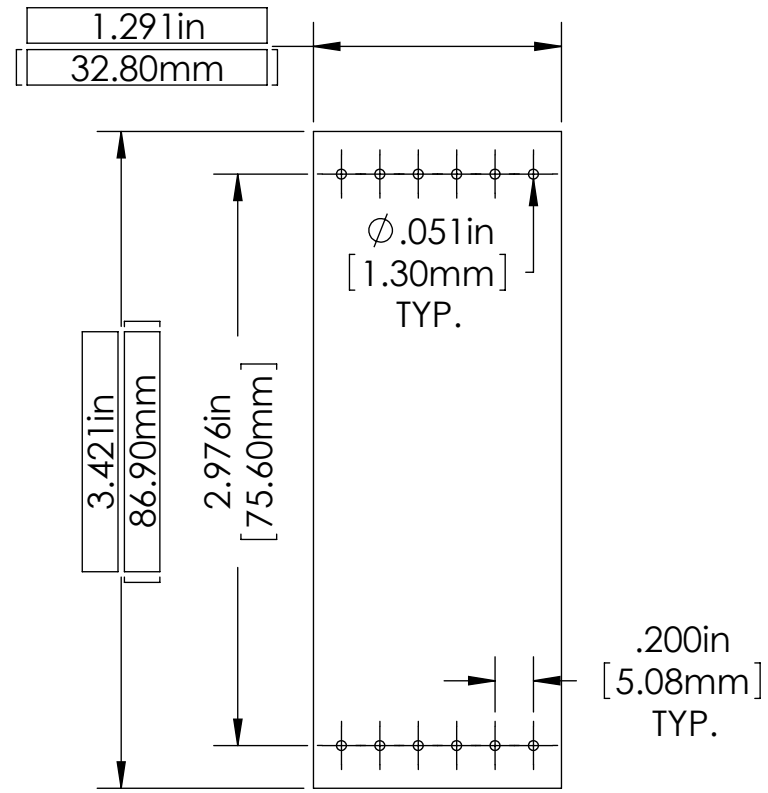
OPTIONAL ACCESSORIES / REPLACEMENT PARTS	PART NUMBER
CLEAR POLYCARBONATE COVER	DMB-4770-CC
INFRA-RED COVER	DMB-4770-IRC
TERMINAL GUARD (PACK OF 2)	DMB-4760-TG
MOUNTING CLIP	DMB-4764-MC

TOLERANCES:		PARTS LIST		BUD INDUSTRIES INC.
+/- .005 BETWEEN HOLE CENTERS	CAD GENERATED DRAWING, DO NOT MANUALLY UPDATE	APPROVALS	DATE	
+/- .015 FROM SHEARED EDGE		DRAWN	7/27/10	
+/- .032 FROM A BENT SURFACE		CHECKED		REV.
+/- .062 BETWEEN ASSEMBLED SURFACES		APPROVED		SCALE
UNLESS OTHERWISE SPECIFIED MATERIAL	AS NOTED	DO NOT SCALE DRAWING		DWG. NO. DMB-4770
FINISH	AS NOTED			CAD FILE:
				SHEET 1 OF 2

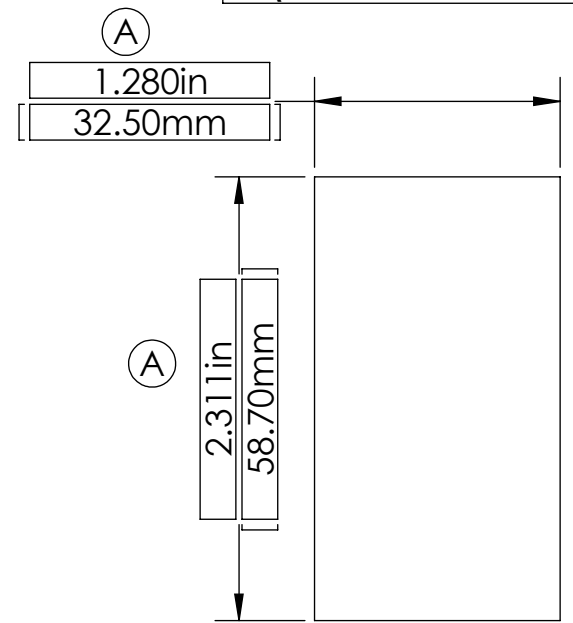
THE INFORMATION CONTAINED IN THIS DRAWING IS THE SOLE PROPERTY OF
 BUD INDUSTRIES INC. ANY REPRODUCTION IN PART OR WHOLE WITHOUT
 THE WRITTEN PERMISSION OF BUD INDUSTRIES INC. IS PROHIBITED.

DWG. NO.	DMB-4770	
ISSUE	REVISIONS	
(A)	SEE SHEET 1	

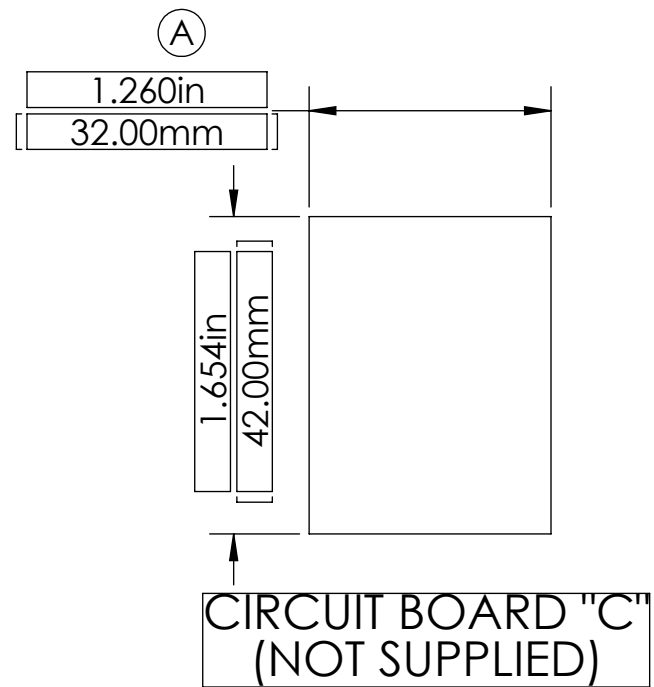
D
C
B
A



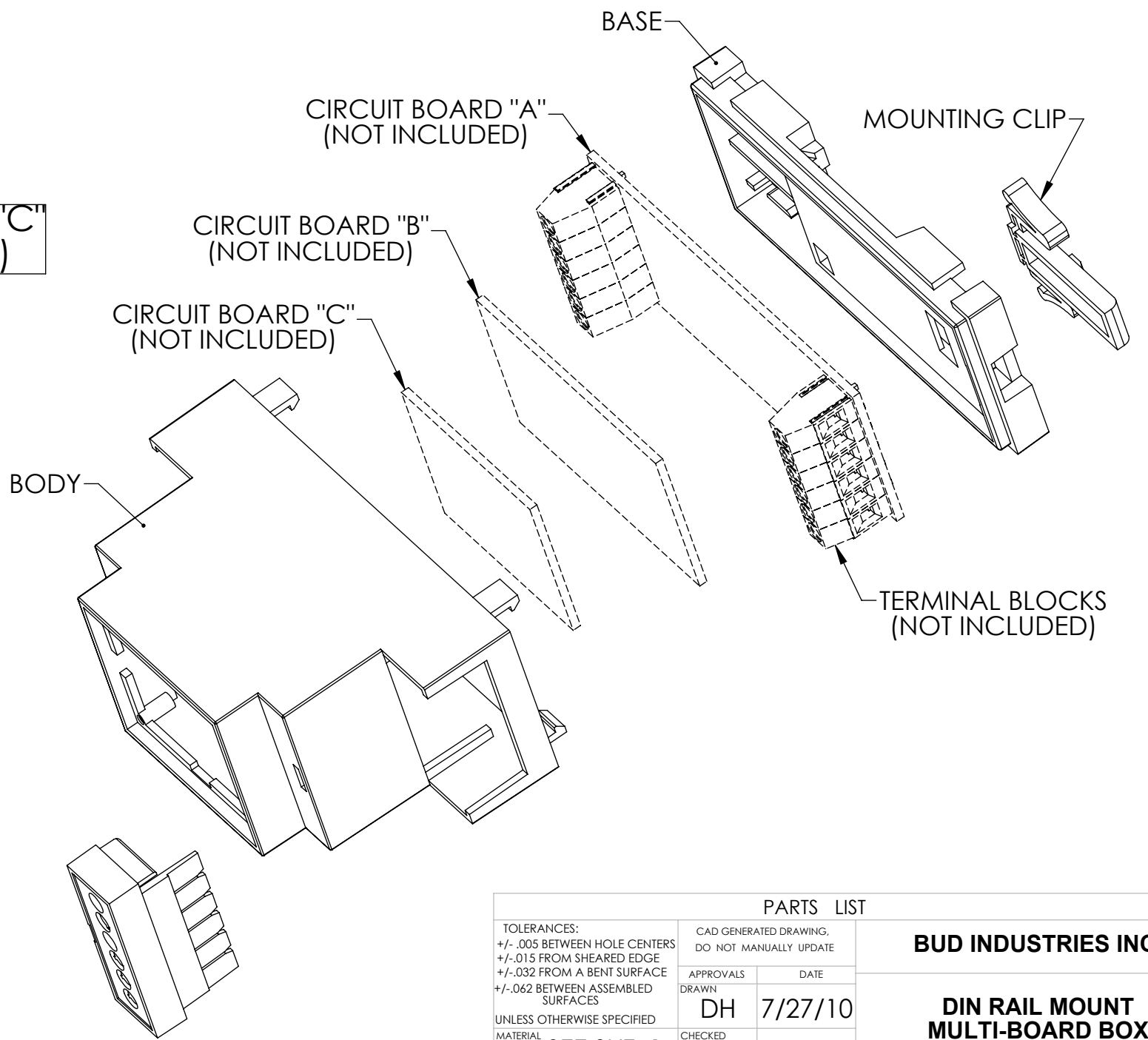
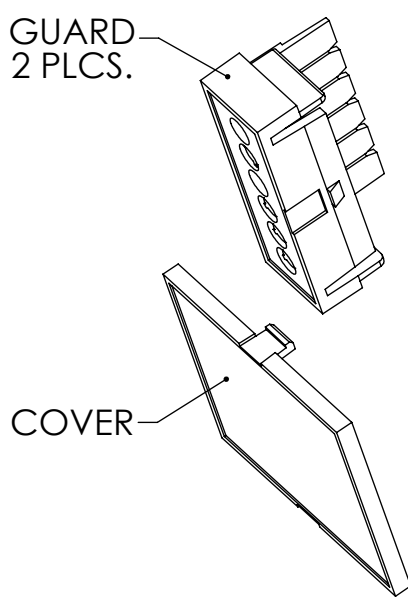
CIRCUIT BOARD "A"
(NOT SUPPLIED)



CIRCUIT BOARD "B"
(NOT SUPPLIED)



CIRCUIT BOARD "C"
(NOT SUPPLIED)



TOLERANCES:		PARTS LIST		BUD INDUSTRIES INC.
+/- .005 BETWEEN HOLE CENTERS	UNLESS OTHERWISE SPECIFIED MATERIAL FINISH DO NOT SCALE DRAWING	CAD GENERATED DRAWING, DO NOT MANUALLY UPDATE		
+/- .015 FROM SHEARED EDGE		APPROVALS	DATE	
+/- .032 FROM A BENT SURFACE		DRAWN	7/27/10	
+/- .062 BETWEEN ASSEMBLED SURFACES		CHECKED		
		APPROVED		SIZE DWG. NO. DMB-4770
				SCALE CAD FILE: SHEET 2 OF 2

8 7 6 5 4 3 2 1