

Foot switch molded-plastic enclosure Pedal switch 1-pedal with cover, 1 change-over contact



| | |
|-----------------------------------|-------------------------------|
| Product designation | momentary-contact foot switch |
| Suitability for use safety switch | No |

General technical data

| | |
|---|------|
| Protection class IP | IP65 |
| Reference code acc. to DIN EN 81346-2 | S |
| Reference code acc. to DIN EN 61346-2 | S |
| Number of switching steps | 1 |
| Number of the actuation pedals | 1 |
| Number of NC contacts for auxiliary contacts | 0 |
| Number of NO contacts for auxiliary contacts | 0 |
| Operating current at AC-15 | |
| • at 230 V rated value | 5 A |

Enclosure

| | |
|----------------------------------|-------------------------------|
| Material of the enclosure | plastic with total insulation |
| Color | |
| • of the enclosure | black |
| • of top part of the enclosure | grey |

Actuator

| | |
|-------------------------|------------|
| Product feature | |
| • interlock | No |
| • Latching | No |
| Cable entry type | cable, 3 m |

| | |
|----------------------------|----------------|
| Ambient conditions | |
| Ambient temperature | |
| • during operation | -10 ... +75 °C |

| | |
|---|--------------|
| Installation/ mounting/ dimensions | |
| Mounting type | screw fixing |
| Height | 152 mm |
| Width | 155 mm |
| Depth | 115 mm |

Certificates/ approvals

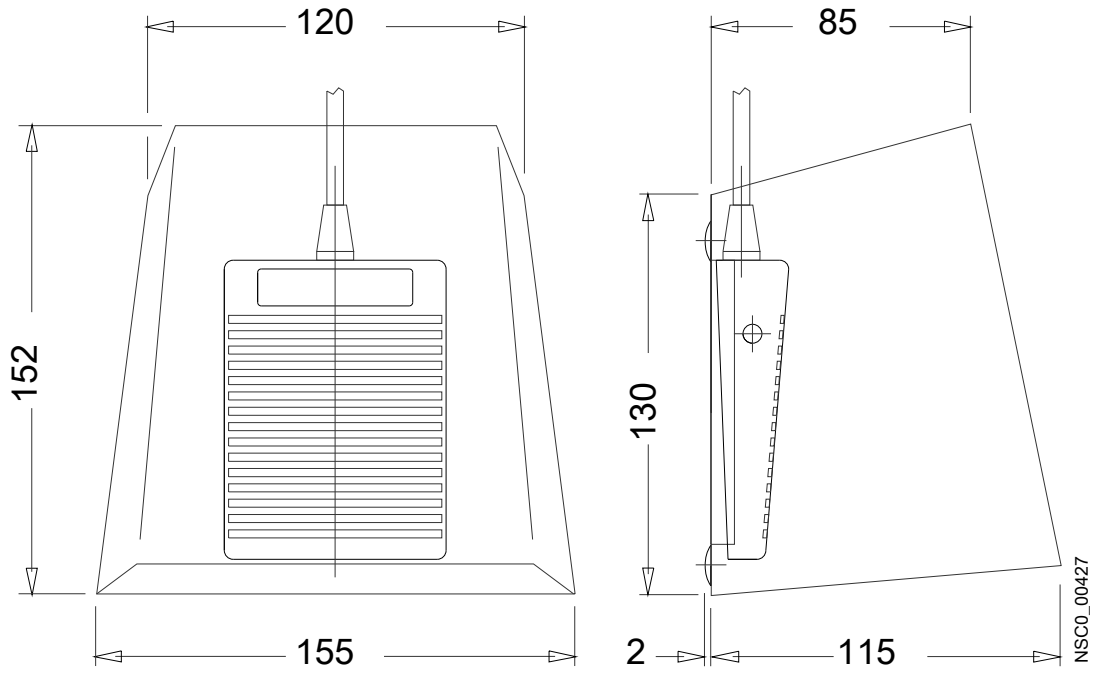
| | |
|--|---|
| General Product Approval | Declaration of Conformity |
|  CCC |  EG-Konf. |
|  CSA | Miscellaneous |
|  UL | |
|  EAC | |

| | |
|-------------------------------|---|
| Test Certificates | Marine / Shipping |
| Miscellaneous |  ABS |
| |  LRS |
| |  PRS |
| |  RINA |
| |  DNV-GL DNVGL.COM/AF |

| |
|------------------------------|
| other |
| Confirmation |

Further information

- Information- and Downloadcenter (Catalogs, Brochures,...)**
<https://www.siemens.com/ic10>
- Industry Mall (Online ordering system)**
<https://mall.industry.siemens.com/mall/en/en/Catalog/product?mlfb=3SE3902-4CA20>
- Cax online generator**
<http://support.automation.siemens.com/WW/CAXorder/default.aspx?lang=en&mlfb=3SE3902-4CA20>
- Service&Support (Manuals, Certificates, Characteristics, FAQs,...)**
<https://support.industry.siemens.com/cs/ww/en/ps/3SE3902-4CA20>
- Image database (product images, 2D dimension drawings, 3D models, device circuit diagrams, EPLAN macros, ...)**
http://www.automation.siemens.com/bilddb/cax_de.aspx?mlfb=3SE3902-4CA20&lang=en



last modified:

03/16/2020