

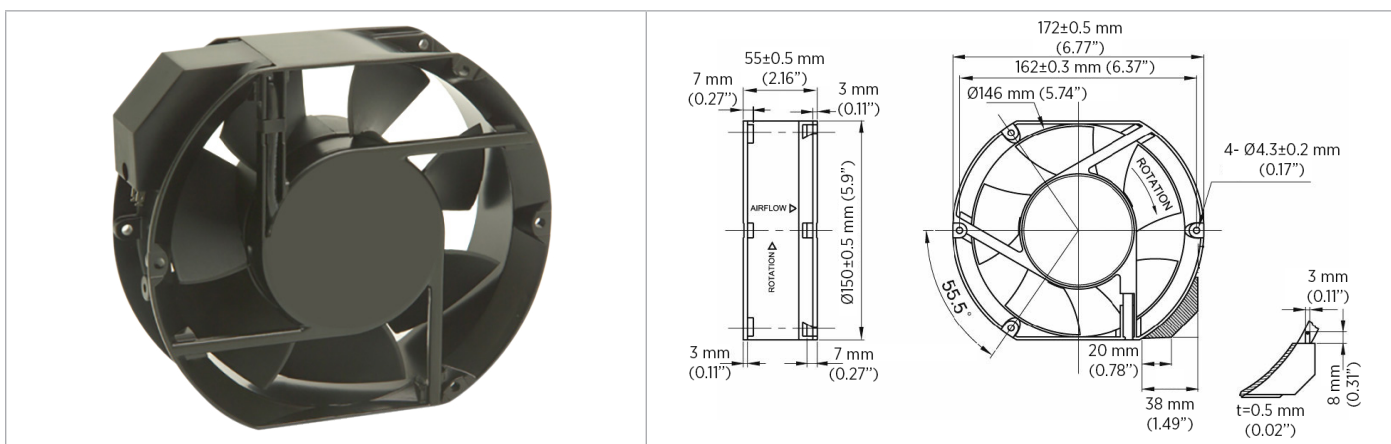


# Datasheet

## RS PRO AC AXIAL FAN SALT FOG 230VAC 172 × 150 × 55mm

Stock number: 175-9788

EN



|                              |  |   |  |
|------------------------------|--|---|--|
| <b>Frame</b>                 | Diecast Aluminum                               | <u>Environmental Protection</u><br>SALT FOG RATED   |  |
| <b>Impeller</b>              | PBT, UL94V-0 plastic                           | <u>Operating Temperature</u><br>-20C ~ +70C         |  |
| <b>Connection</b>            | Terminals                                      | <u>Storage Temp</u><br>-30C ~ +80C                  |  |
| <b>Motor</b>                 | AC Capacitor drive,<br>Thermally protected     | <u>Life Expectancy</u><br>40,000 hours (L10 at 40C) |  |
| <b>Bearing System</b>        | Dual ball bearing                              | Weight: ~ 1.08 kg (2.6 lbs)                         |  |
| <b>Insulation Resistance</b> | >100M ohm between lead wire and frame (500VDC) | m2  |  |
| <b>Dielectric Strength</b>   | 1 min at 1500 VAC, 50/60Hz                     |   |  |

|                             |                        |
|-----------------------------|------------------------|
| <b>Model Number</b>         | 175-9788               |
| <b>Speed (RPM)</b>          | 3400                   |
| <b>Airflow (CFM)</b>        | 293                    |
| <b>Noise Level (dB)</b>     | 60                     |
| <b>Volts AC</b>             | 230                    |
| <b>Voltage Range</b>        | 207-253                |
| <b>Rated Current</b>        | 0.17 A                 |
| <b>Locked Current</b>       | 0.38 A                 |
| <b>Watts</b>                | 38                     |
| <b>Max. Static Pressure</b> | 0.90" H <sub>2</sub> O |