

FEATURES

- Universal Input
- Class I (C14)
- Worldwide Approvals
- Safety Protection
- Power on LED
- 2.5x5.5x11mm DC Connector

Desktop Power Supplies

2107461, 2107463, 2107466, 2107468



RS Professionally Approved Products bring to you professional quality parts across all product categories. Our product range has been tested by engineers and provides a comparable quality to the leading brands without paying a premium price.

Product Description

The purpose of the document is to specify a Single-phase AC input, single output switching power supply. This specification is for: Desktop Power Supplies 90W–96W Series. This product is suitable for use in the IT, Audio, Video, Instrumentation, Communication and many other applications. Its available with a number of output voltages and currents providing a constant voltage source. This Specification defines the input, output, performance characteristics, environment, noise and safety requirements.

General Specifications

Type	Switched Mode Power Supply
Input Connector	IEC 320-C14
Output Connection	2.5x5.5x11.0mm +ve inner/centre
Number of Outputs	1
Energy Efficiency Level	VI
Mounting Style	Desktop
MTBF	20,000 hours at maximum load /709.7K hrs min. MIL-HDBK-217F(25°C)
Switching Frequency	65KHz
Power Indicator	LED Indicator for power on
Cable Length	1200mm(±100mm)
Cable Type	16AWG/18AWG/20AWG (Depending on model)
Medical Approved	No

Electrical Specifications

RS Stock#	Input Voltage	Output Voltage	Output Current	Output Wattage	Efficiency (Typ)
2107461	90 to 264V ac	+ 12V DC	8A	96W	88%
2107463	90 to 264V ac	+ 15V DC	6.4A	96W	88%
2107466	90 to 264V ac	+ 24V DC	4A	96W	88%
2107468	90 to 264V ac	+ 48V DC	2A	96W	88%

Input Specifications	
Rated Input Voltage	100 to 240V ac
Full Input Voltage Range	90 – 264V ac
Rated Frequency	50/60Hz
Full Frequency Range	47/63Hz
Efficiency Level VI	Level VI / Efficiency (EU) 2019/1782
Power Factor	0.6
Input Current (RMS Max.)	2.5A
Inrush Current	80 Amps Max. Cold start at 240Vac input, with rated load and 25°C ambient
Leakage Current (max.)	0.75mA / 240V ac
Input Protection	Thermal fuse in Primary; Current Limit, Short Circuit

Output Specification		
Output Regulation	+/-5%	
Ripple & Noise (max.)	120mVp-p ~ 240mVp-p (Depending on model)	
Voltage Tolerance	±5.0%	
Line Regulation	±1.0%	
Load Regulation	±5.0%	
No Load Power Consumption	<0.21W (<0.1W for 5V Model)	
Startup, Rise Time	40ms Max at 115V ac input and output Max load.	
Hold Up Time (Typ.)	50ms Min. at 115V ac input and output Max Load.	
Transient Response	4% Deviation	
Number of Outputs	1	
Turn On Delay	3 Seconds Max. at 115V ac input and output Max Load.	
Insulation Class	I/II	
Switching Frequency	65KHz	
Isolation Resistance	20MΩ @500V dc	
Overload Protection	Hiccup mode, recovers automatically after fault condition is removed	
Over Voltage Protection	Auto recover when 120% ~ 170% of fault is removed.	
Over Temperature Protection	Shut down o/p voltage, re-power on to recover	
Short Circuit Protection	Auto recover when the short circuit fault is removed	
Voltage Isolation	Input-Output	1500V ac
	Input-Ground	1500V ac
	Output-Ground	500V ac

Mechanical Specifications

Housing Material	Fully Enclosed Plastic Case
Overall Dimensions	140mm x 60.5mm x 33mm
Overall Length	140mm
Overall Depth	60.5mm
Overall Width	33mm
Weight	380g

Operation Environment Specifications

Cooling	Natural convection
Operating Temperature Range	0 to 40°C
Operating Humidity	20% to 90% RH non-condensing
Storage Temperature Range	-20 to 80°C
Temperature Coefficient	± 0.03% / C
Altitude During Operation	2000m
Pollution Degree	2
Vibration Resistance	10-500Hz, 2G, along X, Y,Z each Axis, 60 min for each Axis
Shock Resistance	15G, 11ms, 3 Axis, 6 Faces, 3 times for each Face

Protection Category

IP Rating	IP20
------------------	------

Classification

eCl@ss (Version)	N/A
UNSPSC (Version)	N/A
ETIM (Version)	N/A

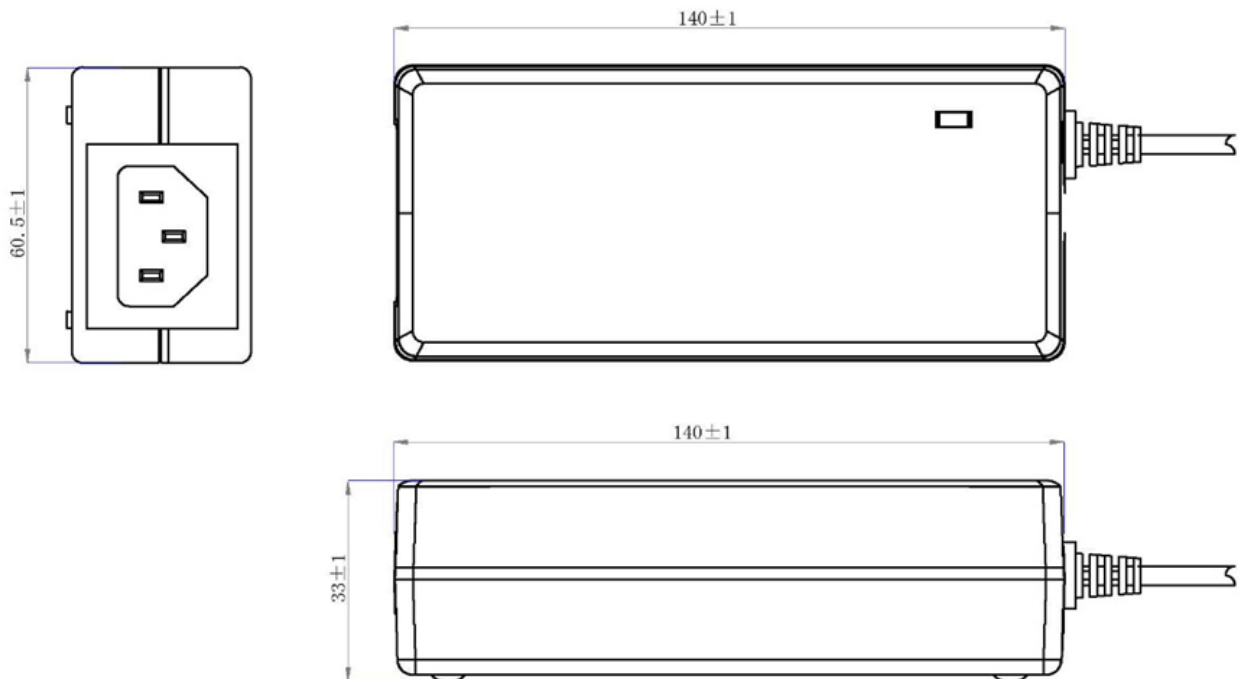
Approvals

Compliance/Certifications	CB / TUV/GS / UL/CUL / PSE
Safety Standard	UL62368-1, EN 62368-1, IEC 62368-1, J60950-1 approved
EMC Emission	Compliance to EN 55032, EN 55024, EN 55014, FCC

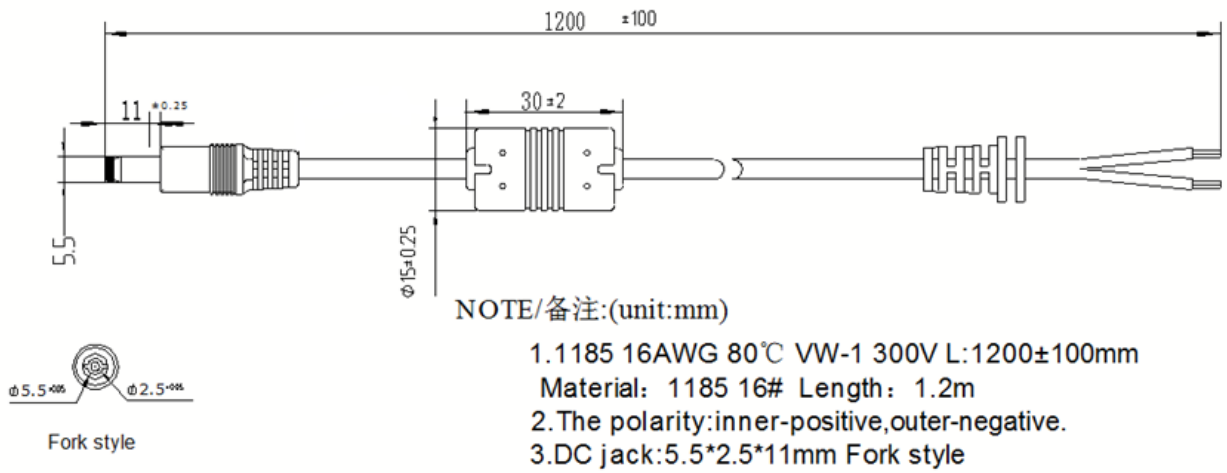
MECHANICAL REQUIREMENT:

9.1 Enclosure: L 140 x W 60.5 x H 33mm: The power supply size: L 140 x W 60.5 x H 33mm;

9.2 Input Connector: IEC-320-C14.

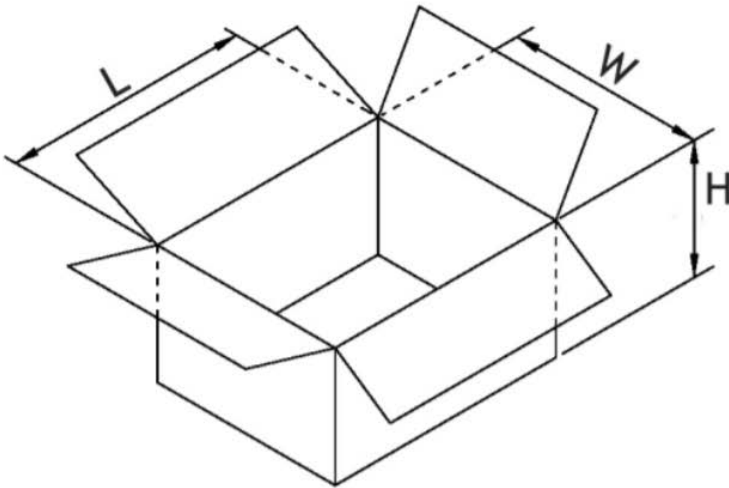


DC CORD



PACKING:

Carton: SIZE (LxWxH)375X350X300mm,40PCS/CTN,14KG/CTN



Inner box:

Small White Box ASS'Y

Outside box size :L*W*H:170*70*70mm

