

# Hub City™ Worm Gear Drives

## Double Reduction

### PowerCubeX® Worm Speed Reducer Catalog Ratings

#### 2400 Series • GW130 Primary • W240 Secondary

SERIES	INPUT RPM	UNIT RATIO	OUTPUT RPM	PRIM. RATIO	SEC. RATIO	ALL	CONVENTIONAL OIL		PAO SYNTHETIC OIL		PAG SYNTHETIC OIL	
						INPUT HP	EFF. %	OUTPUT TORQUE	EFF. %	OUTPUT TORQUE	EFF. %	OUTPUT TORQUE
2400	1750	50	35.0	5	10	1.40	67.3	1698	75.6	1908	80.4	2029
		75	23.3	5	15	1.05	63.8	1809	71.7	2033	76.3	2161
		100	17.5	5	20	0.84	60.7	1833	68.2	2060	72.5	2190
		150	11.7	10	15	0.60	59.0	1901	66.3	2136	70.5	2271
		200	8.75	10	20	0.48	55.8	1923	62.7	2161	66.6	2297
		250	7.00	10	25	0.40	53.2	1892	59.8	2126	63.6	2260
		300	5.83	20	15	0.34	52.7	1942	59.2	2182	62.9	2320
		400	4.38	20	20	0.28	49.4	1964	55.6	2207	59.1	2346
		500	3.50	25	20	0.236	46.3	1964	52.0	2207	55.3	2346
		600	2.92	20	30	0.211	43.5	1986	48.9	2231	52.0	2373
		750	2.33	25	30	0.181	40.6	1986	45.7	2231	48.5	2373
		900	1.94	30	30	0.159	38.5	1986	43.3	2231	46.0	2373
		1000	1.75	50	20	0.144	38.0	1964	42.7	2207	45.4	2346
		1200	1.46	40	30	0.129	35.6	1986	40.0	2231	42.5	2373
		1500	1.17	50	30	0.111	33.0	1986	37.1	2231	39.4	2373
		1800	0.97	60	30	0.101	30.2	1986	33.9	2231	36.1	2373
		2000	0.88	50	40	0.092	29.4	1950	33.0	2191	35.1	2330
		2400	0.73	60	40	0.084	26.8	1950	30.1	2191	32.0	2330
3000	0.58	60	50	0.070	24.5	1851	27.6	2080	29.3	2211		
3600	0.49	60	60	0.053	23.9	1640	26.8	1843	28.5	1959		

#### 2600 Series • 130 Primary • 260 Secondary

SERIES	INPUT RPM	UNIT RATIO	OUTPUT RPM	PRIM. RATIO	SEC. RATIO	ALL	CONVENTIONAL OIL		PAO SYNTHETIC OIL		PAG SYNTHETIC OIL	
						INPUT HP	EFF. %	OUTPUT TORQUE	EFF. %	OUTPUT TORQUE	EFF. %	OUTPUT TORQUE
2600	1750	50	35.0	5	10	1.38	67.7	1681	76.0	1889	80.8	2009
		75	23.3	5	15	1.28	65.7	2273	73.8	2554	78.5	2715
		100	17.5	5	20	1.09	62.1	2428	69.7	2728	74.1	2901
		150	11.7	10	15	0.72	61.1	2381	68.7	2675	73.0	2844
		200	8.75	10	20	0.62	57.1	2550	64.2	2865	68.3	3046
		250	7.00	10	25	0.50	54.9	2488	61.7	2796	65.6	2972
		300	5.83	20	15	0.41	54.8	2429	61.5	2729	65.4	2902
		400	4.38	20	20	0.36	50.9	2604	57.2	2926	60.8	3111
		500	3.50	25	20	0.30	47.6	2604	53.5	2926	56.9	3111
		600	2.92	20	30	0.25	46.8	2485	52.5	2792	55.8	2969
		750	2.33	25	30	0.210	43.7	2485	49.1	2792	52.2	2969
		900	1.94	30	30	0.185	41.5	2485	46.6	2792	49.6	2969
		1000	1.75	50	20	0.184	39.2	2604	44.0	2926	46.8	3111
		1200	1.46	40	30	0.150	38.4	2485	43.2	2792	45.9	2969
		1500	1.17	50	30	0.129	35.6	2485	40.0	2792	42.6	2969
		1800	0.97	60	30	0.117	32.7	2485	36.7	2792	39.1	2969
		2000	0.88	50	40	0.116	30.9	2585	34.7	2905	36.9	3088
		2400	0.73	60	40	0.106	28.2	2585	31.7	2905	33.7	3088
3000	0.58	60	50	0.086	26.1	2435	29.3	2736	31.2	2909		
3600	0.49	60	60	0.072	24.3	2261	27.3	2540	29.0	2701		

ADDITIONAL RATINGS FOR OTHER INPUT SPEEDS ARE AVAILABLE AT: [WWW.HUBCITYINC.COM](http://WWW.HUBCITYINC.COM)

#### OVERHUNG LOAD AND THRUST LOAD INFORMATION

OVERHUNG LOAD - LOW SPEED SHAFT — MODELS 2401 AND 2404 1400 LBS. AT CENTER POINT OF SHAFT EXTENSION. MODELS 2402 AND 2405 NOT APPLICABLE. THRUST± UP OR DOWN 1450 LBS.

MODELS 2601 AND 2604 1150 LBS. AT CENTER POINT OF SHAFT EXTENSION. MODELS 2602 AND 2605 NOT APPLICABLE. THRUST± UP OR DOWN 1000 LBS.

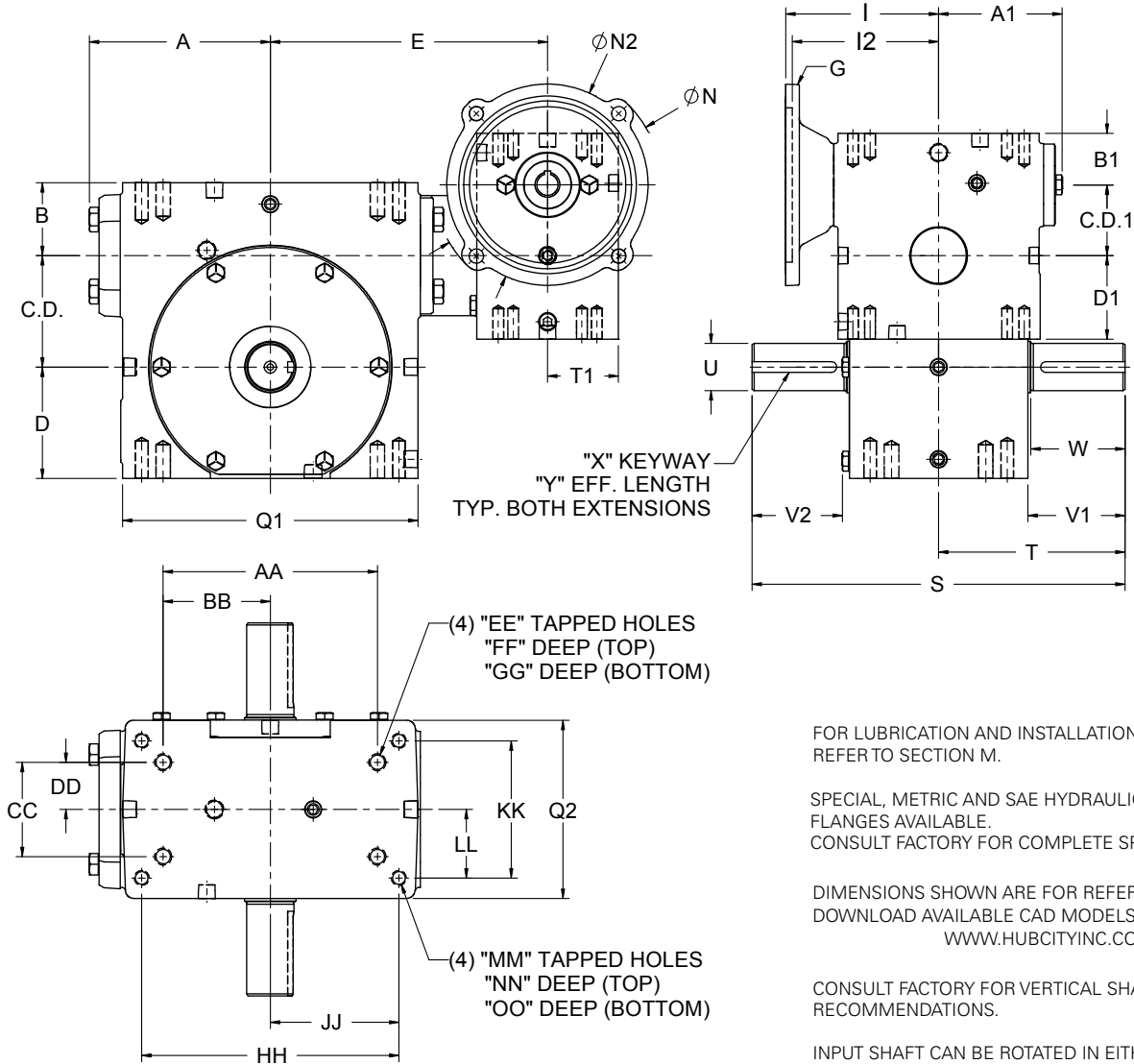
±OHL AND THRUST VALUES SHOWN ARE INDEPENDENT FUNCTIONS AND CANNOT BE APPLIED SIMULTANEOUSLY. REFER APPLICATIONS WITH COMBINED OHL AND THRUST TO REGAL CUSTOMER SERVICE DEPARTMENT.

OUTPUT TORQUE VALUES SHOWN ARE INCH-POUNDS (IN-LB).

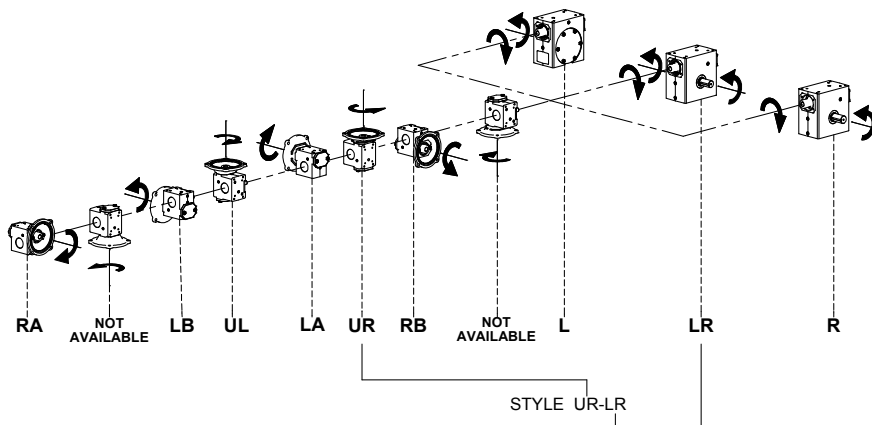
# Hub City™ Worm Gear Drives

## Double Reduction Models

1304, 1504, 1804, 2104, 2404, 2604, 3004, 3204, 3804, 4204, 4504, 5204, GW6004, GW7004, GW8004, GW10004



### Standard Styles Available



# Hub City™ Worm Gear Drives

## Double Reduction Models

1304, 1504, 1804, 2104, 2404, 2604, 3004, 3204, 3804, 4204, 4504, 5204, GW6004, GW7004, GW8004, GW10004

MODEL	PRIMARY	SECONDARY	C.D.	A	B	D	Q1	Q2	E	T1	C.D.1	A1	B1	D1	S	T
1304	134	134-56C	1.334	2.61	1.186	1.562	4.12	3.12	4.87	1.56	1.334	2.61	1.186	1.562	6.50	3.25
1504	GW134	154	1.541	3.14	1.928	1.906	4.88	3.44	5.85	1.84	1.334	2.61	1.610	1.720	8.62	4.31
1804	134	184-56C	1.751	3.23	1.374	1.875	5.16	3.44	5.50	1.56	1.334	2.61	1.186	1.562	7.00	3.50
2104	134	214-56C	2.064	3.61	1.500	2.437	5.88	4.12	5.87	1.56	1.334	2.61	1.186	1.562	8.50	4.25
2404	GW134	244	2.376	3.77	2.061	2.500	6.12	4.06	6.44	1.84	1.334	2.61	1.610	1.720	10.28	5.14
2604	134	264-56C	2.626	4.33	1.874	2.938	7.20	4.50	6.58	1.56	1.334	2.61	1.186	1.562	9.00	4.50
3004	GW184	304	3.001	4.84	2.624	3.250	8.12	5.25	7.86	1.78	1.750	3.24	1.940	2.060	13.50	6.75
3204	214	324-143TC	3.251	5.28	2.124	3.250	8.62	5.20	8.09	2.06	2.064	3.61	1.500	2.437	10.88	5.44
3804	214	384-143TC	3.751	4.90	2.374	3.937	9.60	5.62	8.61	2.06	2.064	3.61	1.500	2.437	13.38	6.69
4204	GW214	424	4.251	6.10	2.686	4.438	10.25	6.13	9.18	1.91	2.060	3.61	2.020	2.280	16.24	8.12
4504	324	454-213TC	4.501	5.23	2.499	4.625	9.25	4.63	9.14	2.60	3.251	5.28	2.124	3.250	14.50	7.25
5204	324	524-213TC	5.168	5.98	2.624	5.375	10.75	5.06	9.89	2.60	3.251	5.28	2.124	3.250	15.62	7.81
GW6004	GW324	GW601	6.000	N/A	4.000	6.500	14.25	8.13	13.30	2.88	3.250	5.02	2.630	3.500	20.00	10.00
GW7004	GW324	GW701	7.000	N/A	4.320	7.590	14.88	7.63	12.96	2.88	3.250	5.02	2.630	3.500	23.52	11.76
GW8004	GW424	GW801	8.000	N/A	4.100	8.860	17.00	8.63	13.94	3.07	4.250	6.10	2.690	4.440	24.50	12.25
GW10004	GW454	GW1001	10.000	N/A	5.110	10.360	20.88	9.53	17.05	3.60	5.250	7.50	3.630	5.120	29.50	14.75

MODEL	U	V1	V2	W	X	Y
1304	.625/.624	1.69	1.53	1.60	3/16 X 3/32	1.38
1504	.750/.7485	2.11	1.90	2.08	3/16 X 3/32	1.51
1804	.750/.749	1.78	1.57	1.54	3/16 X 3/32	1.41
2104	.875/.874	2.19	1.98	1.95	3/16 X 3/32	1.83
2404	1.125/1.1235	2.66	2.44	2.62	1/4 X 1/8	1.76
2604	1.250/1.249	2.25	2.04	N/A	1/4 X 1/8	1.85
3004	1.250/1.2485	3.60	3.36	3.57	1/4 X 1/8	2.26
3204	1.375/1.374	2.84	2.62	2.75	5/16 X 5/32	2.31
3804	1.500/1.499	3.88	N/A	N/A	3/8 X 3/16	3.16

MODEL	U	V1	V2	W	X	Y
4204	1.875/1.8735	4.50	4.21	4.47	1/2 X 1/4	3.06
4504**	1.625/1.624	4.18	N/A	3.90	3/8 X 3/16	3.28
5204***	1.750/1.749	4.47	N/A	4.17	3/8 X 3/16	3.50
GW6004	2.500	4.65	4.65	N/A	5/8 X 5/16 P&W	4.00
GW7004	2.750	5.65	5.65	N/A	5/8 X 5/16 P&W	4.00
GW8004	3.000	5.98	5.98	5.26	3/4 X 3/8 P&W	4.50
GW10004	3.750	6.76	6.76	6.39	7/8 X 7/16 P&W	5.00

\*\* ALSO AVAILABLE WITH 1.750/1.749 (U) DIAMETER OUTPUT SHAFT. CONSULT FACTORY.  
 \*\*\* ALSO AVAILABLE WITH 2.000/1.999 (U) DIAMETER OUTPUT SHAFT. CONSULT FACTORY.

MODEL	AA	BB	CC	DD	EE	FF	GG	HH	JJ	KK	LL	MM	NN	OO	WT. LBS.
1304	2.250	1.125	1.625	0.813	1/4 UNC	0.50	0.50	3.250	1.625	2.000	1.000	5/16 UNC	0.50	0.50	22
1504	4.188	2.094	2.750	1.375	5/16 UNC	0.63	0.63	N/A	N/A	N/A	N/A	N/A	N/A	N/A	26
1804	3.125	1.563	1.625	0.813	1/4 UNC	0.50	0.50	4.188	2.094	2.750	1.375	5/16 UNC	0.63	0.63	26
2104	4.000	2.000	2.000	1.000	3/8 UNC	0.50	0.70	5.000	2.500	2.875	1.438	3/8 UNC	0.70	0.70	36
2404	5.000	2.500	2.875	1.438	3/8 UNC	0.69	0.69	N/A	N/A	N/A	N/A	N/A	N/A	N/A	52
2604	4.875	2.438	2.688	1.344	3/8 UNC	0.70	0.70	6.375	3.188	3.375	1.688	3/8 UNC	0.70	0.70	48
3004	7.000	3.500	4.000	2.000	7/16 UNC	0.88	0.88	N/A	N/A	N/A	N/A	N/A	N/A	N/A	81
3204	6.250	3.125	2.750	1.375	1/2 UNC	0.75	0.75	7.500	3.750	4.000	2.000	7/16 UNC	0.88	0.88	85
3804	6.875	3.438	3.000	1.500	1/2 UNC	0.94	1.00	8.500	4.250	4.750	2.375	1/2 UNC	1.00	1.00	115
4204	8.500	4.250	5.000	2.500	5/8 UNC	1.00	1.00	N/A	N/A	N/A	N/A	N/A	N/A	N/A	135
4504	8.125	4.063	3.250	1.625	5/8 UNC	0.88	1.13	N/A	N/A	N/A	N/A	N/A	N/A	N/A	176
5204	9.500	4.750	3.750	1.875	5/8 UNC	1.00	1.25	N/A	N/A	N/A	N/A	N/A	N/A	N/A	202
GW6004	12.750	6.375	6.380	3.190	5/8 UNC	1.00	1.00	N/A	N/A	N/A	N/A	N/A	N/A	N/A	406
GW7004	12.500	6.250	5.500	2.750	1 UNC	1.56	1.56	N/A	N/A	N/A	N/A	N/A	N/A	N/A	482
GW8004	14.250	7.125	6.500	3.250	1 UNC	1.66	1.66	N/A	N/A	N/A	N/A	N/A	N/A	N/A	728
GW10004	17.750	8.875	6.875	3.438	1-1/4 UNC	2.04	2.04	N/A	N/A	N/A	N/A	N/A	N/A	N/A	1151

MODEL	G	I	I2	N	N2
1304	48CZ	3.46	N/A	4.36	3.87
	56C			6.63	6.50
1504	48CZ	3.46	N/A	4.36	3.87
	56C			6.63	6.50
1804	48CZ	3.46	N/A	4.36	3.87
	56C			6.63	6.50
2104	48CZ	3.46	N/A	4.36	3.87
	56C			6.63	6.50
2404	48CZ	3.46	N/A	4.36	3.87
	56C			6.63	6.50
2604	48CZ	3.46	N/A	4.36	3.87
	56C			6.63	6.50
3004	48CZ	4.09	N/A	4.36	3.87
	56C			6.63	6.50
	143TC			6.63	6.50

MODEL	G	I	I2	N	N2
3204	48CZ	4.46	N/A	4.36	3.87
	56C			6.63	6.50
3804	143TC				
	48CZ	4.46	N/A	4.36	3.87
56C	6.63			6.50	
4204	143TC				
	48CZ	4.46	N/A	4.36	3.87
56C	6.63			6.50	
4504	143TC				
	56C	6.14	N/A	6.50	6.50
143TC					
5204	182TC	N/A	6.34	9.00	9.00
	213TC				
5204	56C	6.14	N/A	6.50	6.50
	143TC				
5204	182TC	N/A	6.34	9.00	9.00
	213TC				

MODEL	G	I	I2	N	N2
GW6004	56C	6.14	N/A	6.50	6.50
	143TC				
	182TC	N/A	6.34	9.00	9.00
213TC	6.90				
GW7004	56C	6.14	N/A	6.50	6.50
	143TC				
	182TC	N/A	6.34	9.00	9.00
213TC	6.90				
GW8004	56C	6.45	N/A	6.50	6.50
	143TC				
	182TC	N/A	7.21	9.00	9.00
	213TC				
254TC					
GW10004	56C	7.85	N/A	6.50	6.50
	143TC				
	182TC	N/A	8.61	9.00	9.00
	213TC				
	254TC	N/A	9.17		