

# Hub City™ CleanLine™ Gear Drives

## SS HERA® Gear Drives

### RATINGS

#### SELECT BASIC MODEL

Using the rating chart below, select basic model and ratio based on application HP, service factor and output torque requirements (Please note color-coding for quick selection by motor HP). OR, if interchanging from competitor worm drive, use the interchange chart on page K-32 to select the basic model.

### BASIC MODEL QUICK SELECTION BY MOTOR HP

(1.0 Service Factor @ 1750 RPM Input)

Nom. Ratio	1/2	3/4	1	1-1/2	2	3	5	7-1/2	10	15	20
7/1	35	35	35	35	35	35	45	45			
10/1	35	35	35	35	35	45	45				
15/1	35	35	35	35	35	45	45				
20/1	35	35	35	35	45	45					
30/1	35	35	35	45	45						
40/1	35	35	45	45	45						
50/1	35	45	45	45							
60/1	35	45	45								

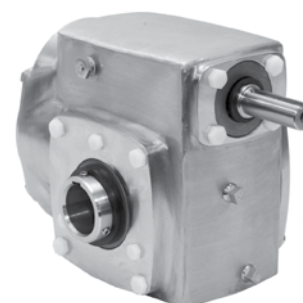
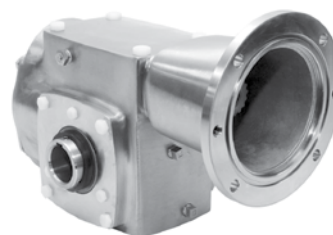
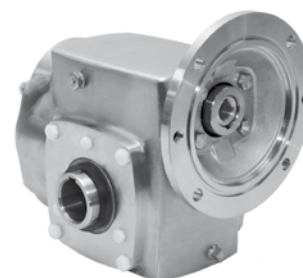
Consult factory for high efficiency right angle drives suited for these power ratings.



Try the new HERA® Selector app for Android and iPhone.

### SS HERA® GEAR DRIVE POWER RATINGS (@ 1.0 Service Factor)

Nom. Ratio	INPUT RPM	Eff. (%)	SS HERA35			SS HERA45		
			Exact Ratio	Input HP	Output Torque (in. lbs.)	Exact Ratio	Input HP	Output Torque (in. lbs.)
7/1	2500	90	8.02	2.0	364	7.80	8.5	1504
10/1	2500	90	11.42	2.0	518	11.36	7.5	1933
15/1	2500	90	15.60	2.0	708	15.60	7.0	2478
20/1	2500	90	19.93	2.0	905	19.50	5.9	2600
30/1	2500	90	29.10	1.7	1100	28.01	4.1	2600
40/1	2500	90	43.53	1.1	1100	39.98	2.9	2600
50/1	2500	90	52.50	0.9	1100	52.50	2.2	2600
60/1	2500	90	58.33	0.8	1100	59.79	1.9	2600
7/1	1750	90	8.02	4.2	1100	7.80	8.5	2149
10/1	1750	90	11.42	3.0	1100	11.36	7.1	2600
15/1	1750	90	15.60	2.2	1100	15.60	5.1	2600
20/1	1750	90	19.93	1.7	1100	19.50	4.1	2600
30/1	1750	90	29.10	1.2	1100	28.01	2.9	2600
40/1	1750	90	43.53	0.8	1100	39.98	2.0	2600
50/1	1750	90	52.50	0.7	1100	52.50	1.5	2600
60/1	1750	90	58.33	0.6	1100	59.79	1.3	2600
7/1	1150	90	8.02	2.8	1100	7.80	6.8	2600
10/1	1150	90	11.42	2.0	1100	11.36	4.6	2600
15/1	1150	90	15.60	1.4	1100	15.60	3.4	2600
20/1	1150	90	19.93	1.1	1100	19.50	2.70	2600
30/1	1150	90	29.10	0.8	1100	28.01	1.9	2600
40/1	1150	90	43.53	0.5	1100	39.98	1.3	2600
50/1	1150	90	52.50	0.4	1100	52.50	1.0	2600
60/1	1150	90	58.33	0.4	1100	59.79	0.9	2600
7/1	850	90	8.02	2.1	1100	7.80	5.0	2600
10/1	850	90	11.42	1.4	1100	11.36	3.4	2600
15/1	850	90	15.60	1.1	1100	15.60	2.5	2600
20/1	850	90	19.93	0.8	1100	19.50	2.0	2600
30/1	850	90	29.10	0.6	1100	28.01	1.4	2600
40/1	850	90	43.53	0.4	1100	39.98	1.0	2600
50/1	850	90	52.50	0.3	1100	52.50	0.7	2600
60/1	850	90	58.33	0.3	1100	59.79	0.7	2600
7/1	100	90	8.02	0.2	1100	7.80	0.6	2600
10/1	100	90	11.42	0.2	1100	11.36	0.4	2600
15/1	100	90	15.60	0.1	1100	15.60	0.3	2600
20/1	100	90	19.93	0.1	1100	19.50	0.2	2600
30/1	100	90	29.10	0.07	1100	28.01	0.2	2600
40/1	100	90	43.53	0.04	1100	39.98	0.1	2600
50/1	100	90	52.50	0.04	1100	52.50	0.09	2600
60/1	100	90	58.33	0.03	1100	59.79	0.08	2600



Additional ratios from 70/1 to 420/1 are available by adding a stainless steel helical ratio multiplier to a stainless steel HERA gear drive. See page K-19. All ratios will backdrive due to high efficiency gearing.

## SS HERA® GEAR DRIVE ACCESSORIES

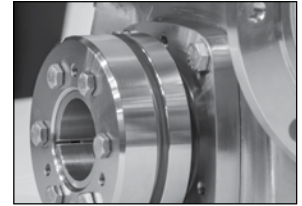
# KEYLESS OUTPUT

### HUBLOC® KEYLESS BUSHING SYSTEM FEATURES:

- The HubLoc system creates a keyless, backlash-free mechanical interference fit that eliminates the micromovement that causes fretting and cold welding.
- Self-centering design achieves optimum concentricity and eliminates oscillation in shaft mounted applications.
- HubLoc system can be installed easily in a few minutes requiring only standard hand tools.
- Is easily uninstalled using threaded push-off holes.
- HubCap® protective covers are made from metal-detectable plastic to support customer

HACCP programs. The blue color of the covers indicates that they are metal-detectable.

- Tamper resistant HubCap protective covers are easily installed by hand and require a hand tool for removal. No additional hardware needed.
- The open HubCap cover is split so that it can be installed after bushing installation. The two cover halves snap together for easy installation by hand.
- NEW – Heavy duty stainless steel safety covers available to provide an extra measure of protection where needed. In stock for model SSHERA35 and SSHERA45 gear drives. Other sizes available on request.



## HUBLOC® KEYLESS BUSHING ORDERING INFORMATION

Step 1: Choose HubLoc Model based on your Product Line and Series/Model.			
	Product Line	Series/Model	HubLoc Model
Stainless Steel Products	Stainless Steel HERA® Gear Drive	SSHERA35EK	HL10SS
		SSHERA45EK	HL10SS

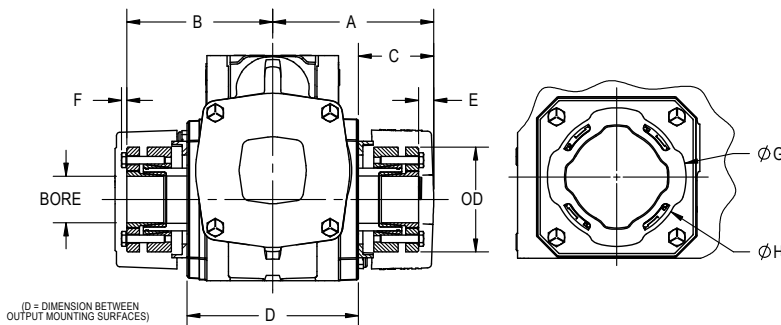
Step 2: Choose HubLoc Kit based on HubLoc Model determined in Step 1, and bore size desired.			
	HubLoc Model	Bores	HubLoc Kit Model
Stainless Steel HubLoc® Kits	HL10SS	1.000	HL10SS100K*
		1.188	HL10SS103K*
		1.250	HL10SS104K*
		1.375	HL10SS106K*
		1.438	HL10SS107K*

STOCK MODEL DIMENSIONS								
MODELS	A	B	C	D	E	F	G	OD
SSHERA35EK	4.78	4.25	2.40	4.77	0.53	0.16	4.28	3.23
SSHERA45EK	5.04	4.50	2.40	5.28	0.54	0.16	4.28	3.23

\* Stock Kit.

HubLoc kit contains (2) bushings sets, (1) HubCap closed protective cover, and (1) HubCap open protective cover.

Note: HubCap closed cover kits can be ordered separately and fit both SSHERA35 and SSHERA45 models. Part # 0259-00313



### NEW: Heavy duty stainless steel safety covers

SSHERA35 -CLOSED COVER KIT	0259-00294
SSHERA35 -OPEN COVER KIT	0259-00295
SSHERA45 -CLOSED COVER KIT	0259-00292
SSHERA45 -OPEN COVER KIT	0259-00293

Note: above kits include hardware and covers for one side of unit. (open covers allow output shaft to protrude)