



Hub City™ CleanLine™ Gear Drives

Hub³® Stainless Steel Worm Gear Drives

Single Reduction Catalog Ratings

Mechanical Rating (1.0 SF) & Continuous Duty Thermal Rating

| RATIO | INPUT RPM | OUTPUT RPM | SSW130 | | | SSW150 | | | SSW180 | | | SSW210 | | | SSW240 | | | SSW260 | | | SSW320 | | |
|-------|-----------|------------|----------|--------|------------|----------|--------|------------|----------|--------|------------|----------|--------|------------|----------|--------|------------|----------|--------|------------|----------|--------|------------|
| | | | INPUT HP | EFF. % | OUT PUT TQ | INPUT HP | EFF. % | OUT PUT TQ | INPUT HP | EFF. % | OUT PUT TQ | INPUT HP | EFF. % | OUT PUT TQ | INPUT HP | EFF. % | OUT PUT TQ | INPUT HP | EFF. % | OUT PUT TQ | INPUT HP | EFF. % | OUT PUT TQ |
| 5 | 2500 | 500.0 | 1.53 | 93.5 | 180 | 2.31 | 93.1 | 271 | 3.10 | 93.7 | 366 | 4.31 | 93.9 | 510 | 6.32 | 94.1 | 750 | 7.95 | 94.2 | 944 | 13.94 | 95.0 | 1669 |
| | 1750 | 350.0 | 1.25 | 92.8 | 209 | 1.94 | 92.5 | 323 | 2.60 | 93.2 | 436 | 3.65 | 93.3 | 614 | 5.32 | 93.7 | 898 | 6.69 | 93.8 | 1130 | 11.92 | 94.7 | 2033 |
| | 1170 | 234.0 | 0.95 | 91.6 | 235 | 1.54 | 91.6 | 379 | 2.07 | 92.3 | 513 | 2.87 | 92.5 | 716 | 4.28 | 92.9 | 1071 | 5.44 | 93.1 | 1363 | 9.79 | 94.2 | 2483 |
| | 100 | 20.0 | 0.14 | 67.9 | 298 | 0.24 | 71.1 | 526 | 0.31 | 73.1 | 717 | 0.43 | 71.6 | 977 | 0.66 | 74.7 | 1540 | 0.84 | 75.6 | 2010 | 1.57 | 80.9 | 3994 |
| 7.5 | 2500 | 333.3 | 1.28 | 92.0 | 223 | 1.79 | 90.7 | 306 | 2.31 | 92.2 | 402 | 3.30 | 92.5 | 577 | 4.74 | 92.9 | 832 | 5.88 | 92.8 | 1031 | 10.36 | 93.6 | 1833 |
| | 1750 | 233.3 | 1.03 | 91.0 | 252 | 1.52 | 89.9 | 370 | 1.91 | 91.4 | 471 | 2.79 | 91.7 | 692 | 3.99 | 92.3 | 995 | 4.96 | 92.2 | 1235 | 8.86 | 93.2 | 2232 |
| | 1170 | 156.0 | 0.77 | 89.5 | 278 | 1.21 | 88.6 | 431 | 1.47 | 90.2 | 537 | 2.19 | 90.7 | 804 | 3.20 | 91.4 | 1183 | 4.02 | 91.4 | 1483 | 7.29 | 92.6 | 2726 |
| | 100 | 13.3 | 0.12 | 61.0 | 339 | 0.20 | 63.8 | 591 | 0.23 | 64.8 | 697 | 0.34 | 67.4 | 1089 | 0.50 | 71.1 | 1689 | 0.64 | 71.6 | 2166 | 1.20 | 77.1 | 4375 |
| 10 | 2500 | 250.0 | 1.02 | 89.8 | 230 | 1.50 | 88.3 | 334 | 2.00 | 91.2 | 459 | 2.97 | 91.6 | 686 | 4.20 | 92.0 | 974 | 5.34 | 91.9 | 1236 | 9.60 | 93.1 | 2254 |
| | 1750 | 175.0 | 0.82 | 88.6 | 263 | 1.28 | 87.3 | 402 | 1.63 | 90.2 | 528 | 2.46 | 90.7 | 805 | 3.56 | 91.3 | 1172 | 4.49 | 91.2 | 1475 | 8.09 | 92.6 | 2700 |
| | 1170 | 117.0 | 0.63 | 86.7 | 293 | 1.01 | 85.7 | 468 | 1.24 | 88.7 | 592 | 1.91 | 89.3 | 917 | 2.81 | 90.1 | 1364 | 3.58 | 90.1 | 1738 | 6.60 | 91.9 | 3268 |
| | 100 | 10.0 | 0.10 | 56.3 | 363 | 0.18 | 57.4 | 639 | 0.20 | 60.2 | 744 | 0.30 | 63.0 | 1192 | 0.44 | 66.7 | 1857 | 0.57 | 67.5 | 2431 | 1.05 | 73.5 | 4853 |
| 15 | 2500 | 166.7 | 0.79 | 85.8 | 257 | 1.17 | 83.6 | 371 | 1.49 | 87.6 | 492 | 2.28 | 89.1 | 769 | 3.27 | 89.1 | 1102 | 4.32 | 89.9 | 1468 | 7.26 | 90.7 | 2489 |
| | 1750 | 116.7 | 0.64 | 84.3 | 292 | 1.00 | 82.4 | 446 | 1.22 | 86.4 | 571 | 1.89 | 88.0 | 897 | 2.77 | 88.2 | 1318 | 3.61 | 89.0 | 1737 | 6.13 | 90.0 | 2980 |
| | 1170 | 78.0 | 0.49 | 81.9 | 325 | 0.80 | 80.4 | 519 | 0.95 | 84.6 | 645 | 1.46 | 86.3 | 1017 | 2.18 | 86.7 | 1526 | 2.82 | 87.5 | 1994 | 5.03 | 89.0 | 3618 |
| | 100 | 6.7 | 0.09 | 46.7 | 401 | 0.16 | 48.4 | 706 | 0.17 | 52.7 | 823 | 0.25 | 56.3 | 1309 | 0.37 | 58.8 | 2056 | 0.47 | 59.7 | 2637 | 0.85 | 67.2 | 5413 |
| 20 | 2500 | 125.0 | 0.68 | 82.5 | 283 | 1.08 | 79.9 | 434 | 1.28 | 85.2 | 551 | 1.91 | 85.8 | 828 | 2.75 | 86.0 | 1192 | 3.50 | 87.1 | 1538 | 6.12 | 88.4 | 2729 |
| | 1750 | 87.5 | 0.55 | 80.8 | 320 | 0.92 | 78.2 | 518 | 1.05 | 83.7 | 630 | 1.58 | 84.5 | 964 | 2.33 | 84.8 | 1421 | 2.97 | 86.0 | 1836 | 5.18 | 87.6 | 3267 |
| | 1170 | 58.5 | 0.42 | 77.7 | 354 | 0.73 | 75.9 | 600 | 0.80 | 81.2 | 702 | 1.23 | 82.3 | 1090 | 1.84 | 82.9 | 1640 | 2.34 | 84.2 | 2123 | 4.22 | 86.3 | 3917 |
| | 100 | 5.0 | 0.08 | 40.5 | 431 | 0.16 | 41.3 | 807 | 0.15 | 46.0 | 872 | 0.23 | 49.1 | 1397 | 0.34 | 51.6 | 2193 | 0.42 | 53.9 | 2849 | 0.75 | 60.6 | 5695 |
| 25 | 2500 | 100.0 | 0.54 | 79.2 | 272 | 0.88 | 76.0 | 422 | 1.09 | 82.7 | 567 | 1.62 | 83.7 | 857 | 2.34 | 83.5 | 1228 | 2.96 | 84.8 | 1579 | 5.16 | 86.3 | 2809 |
| | 1750 | 70.0 | 0.45 | 77.3 | 309 | 0.75 | 74.3 | 503 | 0.88 | 80.9 | 644 | 1.33 | 82.1 | 985 | 1.97 | 82.1 | 1454 | 2.49 | 83.5 | 1869 | 4.37 | 85.3 | 3360 |
| | 1170 | 46.8 | 0.34 | 74.1 | 344 | 0.60 | 71.6 | 580 | 0.68 | 78.2 | 713 | 1.03 | 79.6 | 1104 | 1.55 | 79.9 | 1669 | 1.96 | 81.5 | 2146 | 3.54 | 83.8 | 3996 |
| | 100 | 4.0 | 0.07 | 36.5 | 423 | 0.14 | 35.8 | 775 | 0.14 | 40.7 | 874 | 0.20 | 44.0 | 1386 | 0.30 | 46.4 | 2205 | 0.37 | 48.6 | 2837 | 0.66 | 55.3 | 5710 |
| 30 | 2500 | 83.3 | 0.48 | 75.7 | 276 | 0.73 | 72.2 | 398 | 0.89 | 78.7 | 531 | 1.36 | 81.1 | 833 | 1.95 | 81.2 | 1194 | 2.56 | 82.7 | 1600 | 4.26 | 83.6 | 2694 |
| | 1750 | 58.3 | 0.40 | 73.4 | 314 | 0.63 | 70.2 | 478 | 0.74 | 76.8 | 614 | 1.13 | 79.4 | 968 | 1.65 | 79.7 | 1423 | 2.15 | 81.3 | 1883 | 3.62 | 82.5 | 3226 |
| | 1170 | 39.0 | 0.31 | 69.8 | 348 | 0.51 | 67.5 | 555 | 0.58 | 73.8 | 692 | 0.88 | 76.8 | 1095 | 1.31 | 77.3 | 1642 | 1.69 | 79.0 | 2152 | 2.99 | 80.9 | 3902 |
| | 100 | 3.3 | 0.07 | 32.4 | 429 | 0.12 | 32.3 | 754 | 0.13 | 37.3 | 880 | 0.18 | 40.9 | 1399 | 0.27 | 43.0 | 2197 | 0.34 | 44.5 | 2816 | 0.59 | 51.6 | 5787 |
| 40 | 2500 | 62.5 | 0.40 | 70.8 | 285 | 0.65 | 66.6 | 435 | 0.74 | 74.6 | 556 | 1.10 | 75.6 | 836 | 1.57 | 75.9 | 1205 | 1.99 | 77.7 | 1558 | 3.43 | 79.7 | 2759 |
| | 1750 | 43.8 | 0.33 | 67.8 | 322 | 0.56 | 64.5 | 520 | 0.61 | 72.2 | 634 | 0.92 | 73.6 | 971 | 1.34 | 74.1 | 1433 | 1.70 | 75.9 | 1854 | 2.93 | 78.4 | 3303 |
| | 1170 | 29.3 | 0.26 | 64.0 | 355 | 0.46 | 61.2 | 601 | 0.48 | 68.9 | 706 | 0.72 | 70.5 | 1097 | 1.07 | 71.3 | 1650 | 1.35 | 73.3 | 2139 | 2.40 | 76.3 | 3950 |
| | 100 | 2.5 | 0.07 | 25.8 | 432 | 0.12 | 26.2 | 808 | 0.11 | 31.0 | 874 | 0.17 | 33.5 | 1401 | 0.25 | 35.5 | 2198 | 0.30 | 37.8 | 2857 | 0.51 | 44.2 | 5710 |
| 50 | 2500 | 50.0 | 0.35 | 67.1 | 292 | 0.54 | 61.4 | 415 | 0.63 | 71.0 | 559 | 0.93 | 72.4 | 845 | 1.34 | 72.0 | 1211 | 1.67 | 74.0 | 1560 | 2.88 | 76.3 | 2772 |
| | 1750 | 35.0 | 0.29 | 63.9 | 327 | 0.46 | 59.1 | 494 | 0.52 | 68.3 | 634 | 0.77 | 70.1 | 970 | 1.14 | 69.9 | 1432 | 1.42 | 72.0 | 1843 | 2.46 | 74.8 | 3315 |
| | 1170 | 23.4 | 0.22 | 59.4 | 359 | 0.38 | 55.7 | 569 | 0.40 | 64.4 | 701 | 0.61 | 66.5 | 1086 | 0.91 | 66.8 | 1641 | 1.14 | 69.1 | 2112 | 2.02 | 72.4 | 3935 |
| | 100 | 2.0 | 0.06 | 23.0 | 431 | 0.11 | 21.8 | 760 | 0.10 | 26.2 | 857 | 0.15 | 28.9 | 1359 | 0.22 | 30.8 | 2163 | 0.27 | 32.7 | 2783 | 0.46 | 38.9 | 5601 |
| 60 | 2500 | 41.7 | 0.30 | 62.0 | 279 | 0.45 | 57.0 | 389 | 0.54 | 67.0 | 550 | 0.80 | 67.0 | 809 | 1.15 | 70.1 | 1219 | 1.43 | 70.8 | 1536 | 2.47 | 73.3 | 2741 |
| | 1750 | 29.2 | 0.25 | 58.9 | 313 | 0.39 | 54.7 | 462 | 0.45 | 64.1 | 623 | 0.67 | 64.5 | 940 | 0.97 | 67.8 | 1418 | 1.22 | 68.7 | 1805 | 2.11 | 71.7 | 3274 |
| | 1170 | 19.5 | 0.20 | 54.9 | 345 | 0.32 | 51.4 | 532 | 0.35 | 60.2 | 689 | 0.54 | 60.9 | 1061 | 0.77 | 64.4 | 1604 | 0.97 | 65.5 | 2060 | 1.73 | 69.1 | 3869 |
| | 100 | 1.7 | 0.06 | 19.0 | 415 | 0.10 | 19.2 | 707 | 0.10 | 22.7 | 842 | 0.15 | 24.8 | 1354 | 0.20 | 27.4 | 2054 | 0.25 | 29.0 | 2689 | 0.41 | 34.8 | 5448 |
| 80 | 2500 | 31.3 | 0.14 | 56.3 | 163 | 0.22 | 49.8 | 220 | 0.25 | 63.2 | 314 | 0.36 | 66.1 | 476 | 0.52 | 66.9 | 701 | 0.66 | 69.2 | 919 | 1.12 | 70.9 | 1605 |
| | 1750 | 21.9 | 0.12 | 52.9 | 183 | 0.20 | 45.6 | 269 | 0.21 | 59.6 | 356 | 0.30 | 62.5 | 547 | 0.46 | 63.3 | 830 | 0.58 | 65.7 | 1092 | 1.03 | 67.5 | 2000 |
| | 1170 | 14.6 | 0.10 | 49.0 | 201 | 0.18 | 41.5 | 314 | 0.16 | 55.5 | 392 | 0.24 | 58.5 | 609 | 0.37 | 59.2 | 946 | 0.47 | 61.6 | 1247 | 0.87 | 63.4 | 2371 |
| | 100 | 1.3 | 0.01 | 35.7 | 237 | 0.03 | 25.0 | 418 | 0.02 | 39.1 | 470 | 0.03 | 44.1 | 743 | 0.06 | 42.9 | 1202 | 0.07 | 45.7 | 1593 | 0.14 | 44.8 | 3246 |
| 100 | 2500 | 25.0 | 0.10 | 51.0 | 128 | 0.16 | 44.5 | 175 | 0.17 | 58.1 | 245 | 0.25 | 59.8 | 379 | 0.35 | 62.4 | 551 | 0.44 | 64.9 | 721 | 0.75 | 66.7 | 1268 |
| | 1750 | 17.5 | 0.08 | 47.6 | 143 | 0.15 | 40.7 | 213 | 0.14 | 54.6 | 277 | 0.22 | 56.2 | 439 | 0.31 | 58.6 | 648 | 0.39 | 61.1 | 851 | 0.69 | 63.0 | 1567 |
| | 1170 | 11.7 | 0.07 | 43.3 | 156 | 0.13 | 36.5 | 248 | 0.11 | 51.4 | 304 | 0.18 | 52.0 | 491 | 0.25 | 54.2 | 735 | 0.31 | 57.0 | 966 | 0.58 | 58.7 | 1846 |
| | 100 | 1.0 | 0.01 | 30.0 | 184 | 0.02 | 20.8 | 328 | 0.02 | 37.5 | 362 | 0.03 | 38.5 | 605 | 0.04 | 38.5 | 926 | 0.05 | 39.6 | 1222 | 0.10 | 41.2 | 2496 |

NOTE: Output TQ measured in IN-LB.

CleanLine™ Gear Drives

K

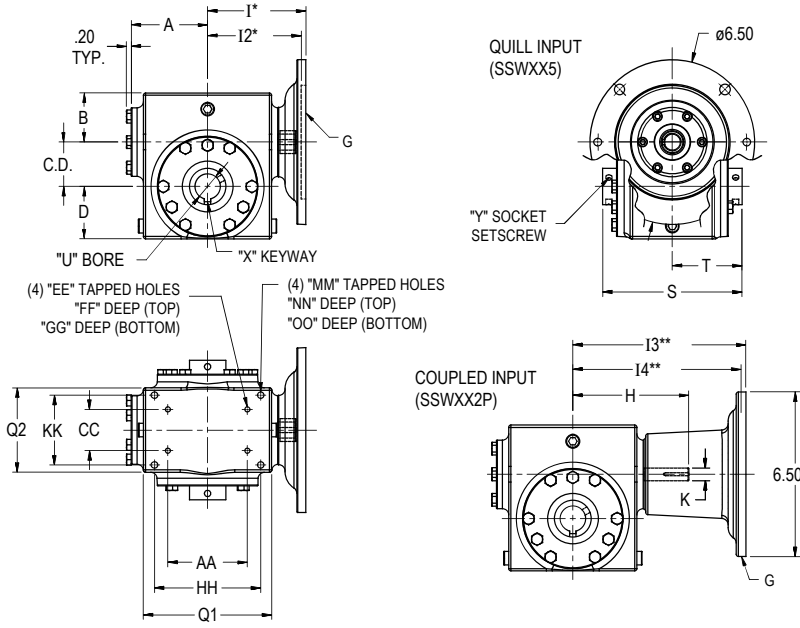


Hub City™ CleanLine™ Gear Drives

Hub³® Stainless Steel Worm Gear Drives Single Reduction Models

SSW135, SSW155, SSW185, SSW215, SSW245, SSW265, SSW325, SSW132P, SSW152P, SSW182P, SSW212P, SSW242P, SSW262P & SSW322P

CleanLine™ Gear Drives **K**



Refer to page K-3 for features.

SHAFT MOUNTED UNITS REQUIRE TORQUE ARM. TORQUE ARM BRACKET KITS ARE AVAILABLE, SEE PAGE K-17.

FOR LUBRICATION AND INSTALLATION INSTRUCTIONS REFER TO SECTION M.

CONSULT FACTORY FOR VERTICAL SHAFT LUBRICATION RECOMMENDATIONS.

INPUT SHAFT CAN BE ROTATED IN EITHER DIRECTION.

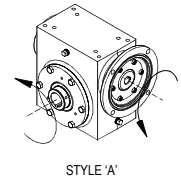
SHAFT INPUT MODELS AVAILABLE AS MFG. TO ORDER - CONSULT FACTORY FOR PRICE AND DELIVERY

DIMENSIONS SHOWN ARE FOR REFERENCE ONLY.

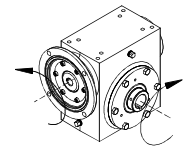
DOWNLOAD AVAILABLE CAD MODELS AT:
WWW.HUBCITYINC.COM

| QUILL INPUT MODELS | COUPLED INPUT MODELS | C.D. | A | B | D | G | H | K | I [*] 56C/140TC | I ^{2*} 180TC | I ^{3**} 56C/140TC | I ^{4**} 180TC |
|--------------------|----------------------|-------|------|-------|-------|-------------|------|-------|-----------------------------|--------------------------|-------------------------------|---------------------------|
| SSW135 | SSW132P | 1.334 | 2.38 | 1.605 | 1.718 | 56C | 4.14 | 0.500 | 3.48 | N/A | 6.39 | N/A |
| SSW155 | SSW152P | 1.541 | 2.91 | 1.928 | 1.906 | 56C | 4.68 | 0.625 | 4.01 | N/A | 6.92 | N/A |
| SSW185 | SSW182P | 1.751 | 3.01 | 1.937 | 2.062 | 56C / 140TC | 4.77 | 0.625 | 4.11 | N/A | 7.02 | N/A |
| SSW215 | SSW212P | 2.063 | 3.38 | 2.037 | 2.280 | 56C / 140TC | 5.14 | 0.625 | 4.48 | N/A | 7.39 | N/A |
| SSW245 | SSW242P | 2.376 | 3.69 | 2.061 | 2.500 | 56C / 140TC | 6.07 | 0.750 | 4.63 | N/A | 8.32 | N/A |
| SSW245 | SSW242P | 2.376 | 3.69 | 2.061 | 2.500 | 180TC | 6.07 | 0.750 | N/A | 5.06 | N/A | 9.32 |
| SSW265 | SSW262P | 2.626 | 4.25 | 2.434 | 2.940 | 56C / 140TC | 6.63 | 0.750 | 5.19 | N/A | 8.88 | N/A |
| SSW265 | SSW262P | 2.626 | 4.25 | 2.434 | 2.940 | 180TC | 6.63 | 0.750 | N/A | 5.62 | N/A | 9.88 |
| SSW325 | SSW322P | 3.251 | 4.94 | 2.629 | 3.500 | 56C / 140TC | 7.32 | 0.875 | 5.88 | N/A | 9.57 | N/A |
| SSW325 | SSW322P | 3.251 | 4.94 | 2.629 | 3.500 | 180TC | 7.32 | 0.875 | N/A | 6.31 ▲ | N/A | 10.57 |

Standard Styles Available



STYLE 'A'



STYLE 'B'

* I and I² DIMENSIONS APPLY TO QUILL INPUT MODELS (SSWXX5) ONLY.

** I³ and I⁴ DIMENSIONS APPLY TO COUPLED INPUT MODELS (SSWXX2P) ONLY.

▲ QUILL INPUT 210TC AVAILABLE WITH I² DIMENSION OF 6.72. AS MFG. TO ORDER - CONSULT FACTORY FOR PRICE AND DELIVERY.

| QUILL INPUT MODELS | COUPLED INPUT MODELS | AA | CC | EE | FF | GG | HH | KK | MM | NN | OO | Q1 | Q2 |
|--------------------|----------------------|------|------|----------|------|------|------|------|----------|------|------|------|------|
| SSW135 | SSW132P | N/A | N/A | N/A | N/A | N/A | 3.25 | 2.00 | 5/16 UNC | 0.50 | 0.50 | 3.80 | 2.82 |
| SSW155 | SSW152P | N/A | N/A | N/A | N/A | N/A | 4.19 | 2.75 | 5/16 UNC | 0.63 | 0.63 | 4.88 | 3.44 |
| SSW185 | SSW182P | 3.13 | 1.63 | 1/4 UNC | 0.50 | 0.50 | 4.19 | 2.75 | 5/16 UNC | 0.63 | 0.63 | 5.06 | 3.32 |
| SSW215 | SSW212P | 4.00 | 2.00 | 5/16 UNC | 0.63 | 0.63 | 4.75 | 3.00 | 5/16 UNC | 0.63 | 0.63 | 5.80 | 3.60 |
| SSW245 | SSW242P | N/A | N/A | N/A | N/A | N/A | 5.00 | 2.88 | 3/8 UNC | 0.56 | 0.56 | 6.12 | 4.06 |
| SSW265 | SSW262P | 4.88 | 2.69 | 3/8 UNC | 0.69 | 0.69 | 6.38 | 3.38 | 3/8 UNC | 0.69 | 0.69 | 7.25 | 4.54 |
| SSW325 | SSW322P | 6.25 | 2.75 | 1/2 UNC | 0.75 | 0.75 | 7.50 | 4.00 | 7/16 UNC | 0.69 | 0.69 | 8.50 | 5.45 |

Stock Output Bores

MINIMUM AND MAXIMUM BORE DIMENSIONS SHOWN.
FOR ADDITIONAL STOCK OUTPUT BORE SIZES AVAILABLE SEE PAGE K-16.

| QUILL INPUT MODELS | COUPLED INPUT MODELS | U (MIN.) | U (MAX.) | S | T | WT. LBS. QUILL INPUT | WT. LBS. COUPLED INPUT |
|--------------------|----------------------|----------|----------|------|------|----------------------|------------------------|
| SSW135 | SSW132P | N/A | 5/8 | 4.75 | 2.38 | 21 | 31 |
| SSW155 | SSW152P | N/A | 5/8 | 5.42 | 2.71 | 21 | 31 |
| SSW185 | SSW182P | 5/8 | 1 | 5.50 | 2.75 | 21 | 31 |
| SSW215 | SSW212P | 1 | 1-1/2 | 6.00 | 3.00 | 30 | 44 |
| SSW245 | SSW242P | 1 | 1-1/2 | 6.00 | 3.00 | 42 | 55 |
| SSW265 | SSW262P | 1 | 1-1/2 | 7.00 | 3.50 | 42 | 57 |
| SSW325 | SSW322P | 1-3/16 | 2-3/16 | 7.88 | 3.94 | 79 | 95 |



Select hollow output bore models in this product line are now available with the HubLoc® keyless bushing system. Refer to pages i and ii at front of this catalog for features, available sizes, and ordering information.