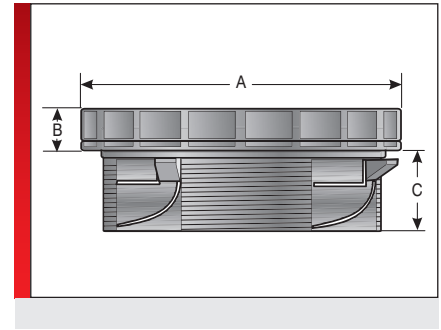
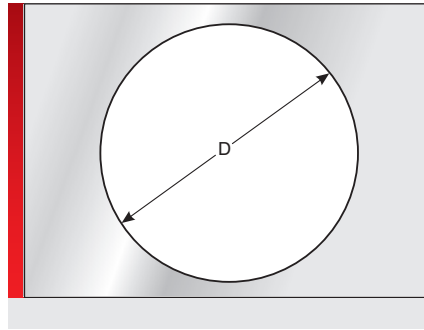


## Cable entry plate, round, type KDP/R



Cable entry plate KDP plastic, round

### PRODUCT INFORMATION

Economical connection technology for tool-free wiring of equipment and machinery. Extremely quick mounting of cables and pneumatic hoses. The alternative to cable fittings. For snap-in fastening or screwing in place with a lock nut. Lock nut not included with delivery!

- For snapping into 1.5 – 2.0 mm plates
- Integrated seal
- Compact design
- High protection class

### SPECIFICATIONS

- Enclosure: Polyamide 6.6  
Seal: NBR / EPDM
- IP 65
- 30 – 90 °C



Type	Order No.	Colour	No. of openings total	Openings Quantity / Ø mm	Thread metric	A mm	B mm	C mm	D mm	Pack qty.
KDP/R M50/04	87301030	Black	4	3x 6.00 – 10.00 1x 9.60 – 15.90	M50x1.5	58.00	9.00	24.00	50.50	1
KDP/R M50/06	87301032	Black	6	1x 3.00 – 5.50 5x 5.00 – 9.20	M50x1.5	58.00	9.00	24.00	50.50	1
KDP/R M50/08	87301034	Black	8	7x 3.50 – 6.50 1x 6.00 – 10.00	M50x1.5	58.00	9.00	24.00	50.50	1
KDP/R M50/31 <sup>1)</sup>	87301038	Black	31	31x 1.50 – 3.10	M50x1.5	58.00	9.00	24.00	50.50	1
KDP/R M63/08	87301040	Black	8	2x 3.00 – 6.50 4x 5.00 – 9.20 2x 9.60 – 15.90	M63x1.5	71.00	9.00	25.00	63.50	1
KDP/R M63/13	87301042	Black	13	6x 3.00 – 5.50 6x 3.50 – 6.50 1x 6.00 – 10.00	M63x1.5	71.00	9.00	25.00	63.50	1
KDP/R M63/19	87301044	Black	19	19x 3.00 – 5.00	M63x1.5	71.00	9.00	25.00	63.50	1
KDP/R M63/46 <sup>1)</sup>	87301048	Black	46	46x 1.50 – 3.10	M63x1.5	71.00	9.00	25.00	63.50	1

<sup>1)</sup>no UR approval

### MATERIAL PROPERTIES

- Enclosure: Polyamide 6.6  
Seal: NBR / EPDM

### MECHANICAL PROPERTIES

- Protection class  
IP 65

## Cable entry plate, round, type KDP/R

 **Temperature / temperature range**  
-30 – 90 °C

### APPROVALS AND OPERATING PERMITS

 **CSA approval**

 **GL approval**

 **UR approval**

### CONFORMITY

 **RoHS (EC Directive 2002/95/EC)**

### GENERAL INFORMATION

 **Made in Germany**

All details given in our sales material prospectuses and catalogues as well as the information available online are based on our current knowledge of the products described.

The electronic data and files made available by Murrplastik, particularly CAD files are based on our current knowledge of the product described.

A legally binding assurance of certain properties or the suitability for a certain purpose can not be determined from this information.

All information with respect to the chemical and physical properties of Murrplastik products as well as application advice given verbally, in writing or by tests, is given to the best of our knowledge.

This does not free the purchaser of carrying out their own inspections and tests in order to determine the suitability of a product for a specific purpose.

Murrplastik accepts no responsibility for the available information being up-to-date, correct or complete. Neither do we accept responsibility for the quality of this information.

Murrplastik accepts no liability for damage caused as a result of using our products.

Murrplastik reserves the right to make technical changes and improvements through constant further development of products and services.

Our General Terms and Conditions apply.

© Murrplastik Systemtechnik GmbH • proID\_57835~20170619~890287~kdh\_kdp\_r