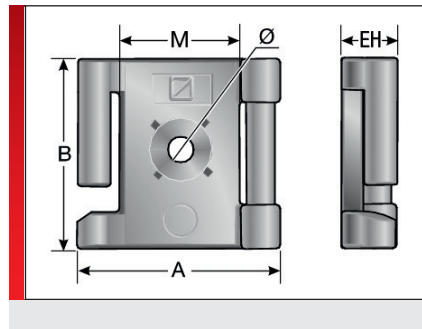


Strain relief, type ZL-fix



Strain relief

PRODUCT INFORMATION

The strain relief ZL-fix may be used wherever cables, hoses, cords, wires or conduits must be relieved or routed in a way that is secure, easy and cost-effective. The strain relief ZL-fix is available in two versions, either for direct screw fastening (flat-head screw M5, not included in delivery) or for fastening on a profile with 10 mm groove width (integrated

nut strap).

- Do not constrict sensitive cables such as fiber optic cables or pneumatic hoses
- No-tools fastening system can be opened and closed infinitely
- Very simple handling
- Variable installation positions

SPECIFICATIONS

	Tape: Coated polyamide Base: Polyamide 6.6
	-30 – 80 °C

Type	Order No.	Color	Length of strip mm	Section groove min. – max. mm	Pack qty.
Profile assembly					
ZL-fix P-15	87705018	Black	92.00	9.90 – 10.80	10
ZL-fix P-25	87705020	Black	171.00	9.90 – 10.80	10
ZL-fix P8-25	87705030	Black	170.00	7.90 – 8.80	10
ZL-fix P-35	87705022	Black	171.00	9.90 – 10.80	10
Screw assembly					
ZL-fix W-15	87705008	Black	92.00		10
ZL-fix W-25	87705010	Black	171.00		10
ZL-fix W-25-400	87705015	Black	400.00		10
ZL-fix W-35	87705012	Black	171.00		10

DIMENSION TABLE

Type	Order No.	A mm	B mm	EH mm	M mm	Ø mm
Profile assembly						
ZL-fix P-15	87705018	30.00	34.00	10.70	15.00	5.00
ZL-fix P-25	87705020	37.00	34.00	10.70	25.00	5.00
ZL-fix P8-25	87705030	25.00	34.00	10.70		5.00
ZL-fix P-35	87705022	45.00	34.00	10.70	35.00	5.00
Screw assembly						
ZL-fix W-15	87705008	39.00	34.00	10.70	15.00	5.00
ZL-fix W-25	87705010	37.00	34.00	10.70	25.00	5.00
ZL-fix W-25-400	87705015	37.00	34.00	10.70	25.00	5.00
ZL-fix W-35	87705012	45.00	34.00	10.70	35.00	5.00

Strain relief, type ZL-fix

MATERIAL PROPERTIES



Tape: Coated polyamide
Base: Polyamide 6.6



Temperature / temperature range
-30 – 80 °C

APPROVALS AND OPERATING PERMITS



GL approval

CONFORMITY



RoHS (EC Directive 2002/95/EC)

All details given in our sales material prospectuses and catalogues as well as the information available online are based on our current knowledge of the products described.

The electronic data and files made available by Murrplastik, particularly CAD files are based on our current knowledge of the product described.

A legally binding assurance of certain properties or the suitability for a certain purpose can not be determined from this information.

All information with respect to the chemical and physical properties of Murrplastik products as well as application advice given verbally, in writing or by tests, is given to the best of our knowledge.

This does not free the purchaser of carrying out their own inspections and tests in order to determine the suitability of a product for a specific purpose.

Murrplastik accepts no responsibility for the available information being up-to-date, correct or complete. Neither do we accept responsibility for the quality of this information.

Murrplastik accepts no liability for damage caused as a result of using our products.

Murrplastik reserves the right to make technical changes and improvements through constant further development of products and services.

Our General Terms and Conditions apply.

© Murrplastik Systemtechnik GmbH • proID_58112~20160910~890287~kdh_zl_fix