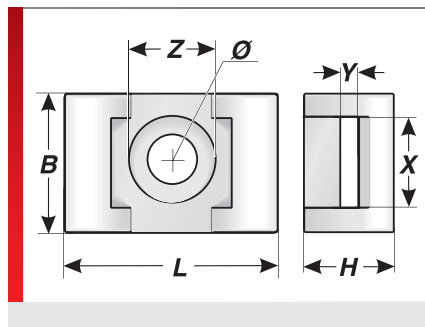


Typ SH (Schraubhalter)



Accessories

PRODUCT INFORMATION

The SH screw-down holder is used to fix individual cables cost-effectively. It can be screwed or riveted to any surface.

SPECIFICATIONS

- Polyamide
- 40 – 85 °C
- RoHS

Type	Order No.	Colour	L mm	B mm	H mm	X mm	Y mm	Z mm	Ø mm	MOQ qty.
SH 1	87681210	White	15.00	10.00	7.00	5.00	2.00	7.00	3.70	100
SH 2	87681212	White	22.50	15.00	11.00	9.20	2.80	10.00	5.00	100

MATERIAL PROPERTIES

Polyamide

Temperature / temperature range
-40 – 85 °C

FIRE PROPERTIES

CONFORMITY

RoHS (EC Directive 2011/65/EU)

All details given in our sales brochures and catalogues, as well as the information available online, are based on our current knowledge of the products described.

The electronic data and files made available by Murrplastik, particularly CAD files are based on our current knowledge of the product described.

A legally binding assurance of certain properties or the suitability for a certain purpose can not be determined from this information.

All information with respect to the chemical and physical properties of Murrplastik products, as well as application advice given verbally, in writing or by tests, is given to the best of our knowledge.

They do not release the buyer from the obligation to carry out his own tests and trials in order to determine the concrete suitability of the products for the intended purpose.

Murrplastik accepts no responsibility for the available information being up-to-date, correct or complete. Neither do we accept responsibility for the quality of this information.

Murrplastik accepts no liability for damage caused as a result of using our products.

Murrplastik reserves the right to make technical changes and improvements through constant further development of products and services.

Our General Terms and Conditions apply.