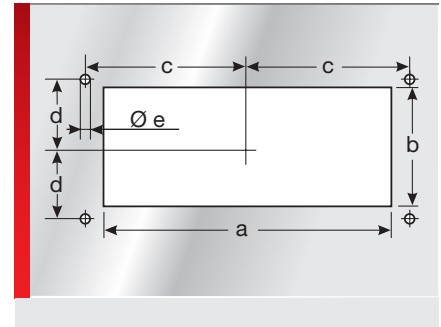
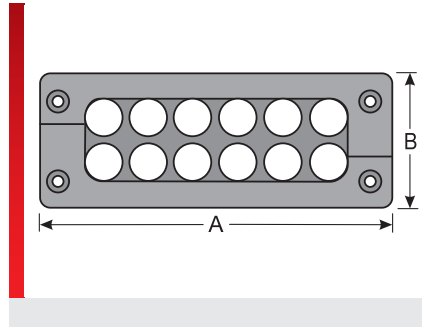


Type KDL/H cable entry system



KDL/C -/D -/H cable entry system

PRODUCT INFORMATION

KDL/H is manufactured in a zinc die-cast process and is designed for feed-through of pre-assembled cables. The KDL/H system is a splittable system that enables the quick and easy installation of up to 48 pre-assembled cables with a high packing density in control cabinets and terminal boxes. Special benefits of the KDL/H are:

- Cable infeed without interruption
- Standardised cut-out dimensions
- Easy assembly
- High protection category to IP 69K (in combination with the proper enclosure)
- Very robust construction
- Integrated strain relief
- Matching grommet: KDT/X
- KDL/H M50/4: Cut-out 50.5 mm (round)

SPECIFICATIONS

	Frame: ZN/Alu/VA Block: TPE
	-30 – 100 °C
	IP 66/67 (with suitable grommets and cables) IP 69K (with matching housing)

Type	Order No.	Colour	No. Openings			Material	MOQ qty.
			Small	medium	large		
For standard cut-out size 24							
KDL/H 24/12	87141410	Black	12	0	0	Zinc	1
KDL/H 24/8	87141428	Black	6	2	0	Aluminium	1
KDL/H 24/4	87141412	Black	0	4	0	Zinc	1
KDL/H 24/3	87141414	Black	0	1	2	Aluminium	1
KDL/H-VA 24/12	87141482	Materialtypisch	12	0	0	VA	1
KDL/H-VA 24/4	87141480	Materialtypisch	0	4	0	VA	1
KDL/H-VA 24/3	87141478	Materialtypisch	0	1	2	VA	1
For standard cut-out size 16							
KDL/H 16/8	87141418	Black	8	0	0	Aluminium	1
KDL/H 16/3	87141416	Black	0	3	0	Aluminium	1
KDL/H 16/2	87141420	Black	0	0	2	Aluminium	1
KDL/H-VA 16/8	87141476	Materialtypisch	8	0	0	VA	1
KDL/H-VA 16/3	87141474	Materialtypisch	0	3	0	VA	1
KDL/H-VA 16/2	87141472	Materialtypisch	0	0	2	VA	1
Special size							
KDL/H 1/6	87141422	Black	6	0	0	Aluminium	1
KDL/H-VA 1/6	87141470	Materialtypisch	6	0	0	VA	1
KDL/H M50/4	87141424	Black	4	0	0	Aluminium	1

Type KDL/H cable entry system

KDL/C -/D -/H cable entry system

DIMENSION TABLE

Type	Order No.	Installation height (EH) mm	A mm	B mm	a mm	b mm	c mm	d mm	e mm
For standard cut-out size 24									
KDL/H 24/12	87141410	18.00	148.00	58.00	112.00	36.00	65.00	16.00	5.50
KDL/H 24/8	87141428	18.00	148.00	58.00	112.00	36.00	65.00	16.00	5.50
KDL/H 24/4	87141412	18.00	148.00	58.00	112.00	36.00	65.00	16.00	5.50
KDL/H 24/3	87141414	18.00	148.00	58.00	112.00	36.00	65.00	16.00	5.50
KDL/H-VA 24/12	87141482	18.00	148.00	58.00	112.00	36.00	65.00	16.00	5.50
KDL/H-VA 24/4	87141480	18.00	148.00	58.00	112.00	36.00	65.00	16.00	5.50
KDL/H-VA 24/3	87141478	18.00	148.00	58.00	112.00	36.00	65.00	16.00	5.50
For standard cut-out size 16									
KDL/H 16/8	87141418	18.00	121.00	58.00	86.00	36.00	51.50	16.00	5.50
KDL/H 16/3	87141416	18.00	121.00	58.00	86.00	36.00	51.50	16.00	5.50
KDL/H 16/2	87141420	18.00	121.00	58.00	86.00	36.00	51.50	16.00	5.50
KDL/H-VA 16/8	87141476	18.00	121.00	58.00	86.00	36.00	51.50	16.00	5.50
KDL/H-VA 16/3	87141474	18.00	121.00	58.00	86.00	36.00	51.50	16.00	5.50
KDL/H-VA 16/2	87141472	18.00	121.00	58.00	86.00	36.00	51.50	16.00	5.50
Special size									
KDL/H 1/6	87141422	18.00	148.00	38.00	112.00	17.00	65.00		5.50
KDL/H-VA 1/6	87141470	18.00	148.00	38.00	112.00	17.00	65.00		5.50
KDL/H M50/4	87141424	18.00	62.00	62.00			23.00	23.00	5.50



Frame: ZN/Alu/VA
Block: TPE



Temperature / temperature range
-30 – 100 °C



Protection class
IP 66/67 (with suitable grommets and cables)
IP 69K (with matching housing)

Type KDL/H cable entry system

 **LABS free**

 **According to EN -2-1**

 **RoHS (EC Directive 2011/65/EU)**

 **Made in Germany**

All details given in our sales brochures and catalogues, as well as the information available online, are based on our current knowledge of the products described.

The electronic data and files made available by Murrplastik, particularly CAD files are based on our current knowledge of the product described.

A legally binding assurance of certain properties or the suitability for a certain purpose can not be determined from this information.

All information with respect to the chemical and physical properties of Murrplastik products, as well as application advice given verbally, in writing or by tests, is given to the best of our knowledge.

They do not release the buyer from the obligation to carry out his own tests and trials in order to determine the concrete suitability of the products for the intended purpose.

Murrplastik accepts no responsibility for the available information being up-to-date, correct or complete. Neither do we accept responsibility for the quality of this information.

Murrplastik accepts no liability for damage caused as a result of using our products.

Murrplastik reserves the right to make technical changes and improvements through constant further development of products and services.

Our General Terms and Conditions apply.