

Hub City™ Worm Gear Drives

Single Reduction

GW Series Catalog Ratings

Series GW70 & GW80

SERIES	INPUT RPM	RATIO	OUTPUT RPM	MECH. INPUT HP	CONVENTIONAL OIL		PAO SYNTHETIC OIL		PAG SYNTHETIC OIL		
					EFF. %	MECH. OUTPUT TORQUE	EFF. %	MECH. OUTPUT TORQUE	EFF. %	MECH. OUTPUT TORQUE	
GW70	1750	5	341.5	51.2	96.0	9062	96.9	9153	97.9	9243	
		7.5	236.5	41.5	95.5	10572	97.0	10731	97.9	10836	
		10	179.5	35.7	94.8	11893	97.2	12190	98.1	12309	
		15	119.3	26.0	93.5	12827	95.9	13148	97.3	13340	
		20	85.4	19.9	91.4	13431	93.7	13767	95.5	14035	
		25	71.4	16.9	90.3	13462	92.5	13799	94.3	14068	
		30	59.3	14.1	89.1	13356	91.3	13690	93.1	13957	
		40	43.8	10.9	85.5	13399	87.7	13734	89.4	14002	
		50	35.0	8.74	82.7	13011	84.8	13336	86.4	13596	
	60	29.2	7.00	80.8	12220	82.8	12526	84.4	12770		
	70	25.0	5.74	78.1	11300	80.1	11583	81.6	11809		
	1170	5	228.3	43.4	95.3	11404	96.3	11518	97.2	11632	
		7.5	158.1	35.2	94.7	13304	96.1	13504	97.1	13637	
		10	120.0	30.4	93.9	14967	96.2	15341	97.2	15491	
		15	79.8	22.1	92.3	16143	94.7	16547	96.0	16789	
		20	57.1	17.0	89.8	16903	92.1	17326	93.9	17664	
		25	47.8	14.1	88.5	16417	90.7	16827	92.5	17156	
		30	39.7	11.9	87.2	16491	89.4	16903	91.1	17233	
		40	29.3	9.18	83.0	16416	85.1	16826	86.8	17155	
		50	23.4	7.43	79.9	15966	81.9	16365	83.4	16684	
	60	19.5	6.03	77.7	15143	79.6	15522	81.2	15824		
	70	16.7	4.96	74.7	13979	76.6	14328	78.1	14608		
	100	5	19.5	9.25	88.4	26416	89.3	26680	90.2	26944	
		7.5	13.5	6.97	87.4	28388	88.7	28814	89.6	29098	
		10	10.3	6.15	85.4	32282	87.6	33089	88.4	33412	
		15	6.8	4.16	82.7	31744	84.7	32538	86.0	33014	
		20	4.9	3.35	77.6	33520	79.5	34358	81.1	35028	
		25	4.1	2.82	75.3	32790	77.2	33610	78.7	34266	
		30	3.4	2.30	73.2	31233	75.1	32014	76.5	32638	
		40	2.5	1.94	66.0	32194	67.7	32999	69.0	33643	
		50	2.0	1.62	61.2	31109	62.7	31887	63.9	32509	
	60	1.7	1.27	58.4	28131	59.9	28834	61.1	29397		
	70	1.4	1.09	54.4	26222	55.7	26878	56.8	27402		
	GW80	1750	5	341.5	66.9	96.2	11866	97.1	11985	98.1	12103
			7.5	236.5	54.4	95.7	13867	97.2	14075	98.1	14214
10			179.5	43.3	95.0	14447	97.4	14808	98.3	14953	
15			119.3	33.8	93.9	16766	96.2	17185	97.6	17437	
20			85.4	25.9	91.8	17575	94.1	18014	96.0	18366	
25			71.4	21.9	90.9	17578	93.1	18017	94.9	18369	
30			59.3	17.9	90.2	17166	92.4	17595	94.2	17938	
40			43.8	14.1	86.4	17507	88.5	17945	90.2	18295	
50			35.0	11.3	83.6	17028	85.7	17454	87.4	17794	
60		29.2	9.05	81.8	15982	83.8	16382	85.5	16701		
70		25.0	7.37	79.4	14743	81.4	15112	82.9	15406		
1170		5	228.3	56.6	95.6	14932	96.5	15081	97.5	15231	
		7.5	158.1	46.1	95.0	17451	96.4	17713	97.4	17887	
		10	120.0	36.8	94.2	18181	96.5	18636	97.5	18817	
		15	79.8	28.8	92.8	21099	95.1	21626	96.5	21943	
		20	57.1	22.2	90.4	22118	92.7	22671	94.5	23113	
		25	47.8	18.8	89.2	22122	91.5	22675	93.3	23117	
		30	39.7	15.0	88.4	21058	90.6	21584	92.4	22006	
		40	29.3	12.2	84.1	22032	86.2	22583	87.8	23023	
		50	23.4	9.84	80.9	21429	82.9	21965	84.5	22393	
60		19.5	7.63	78.8	19430	80.8	19916	82.4	20304		
70		16.7	6.24	76.2	17921	78.1	18369	79.6	18727		

ADDITIONAL RATINGS FOR OTHER INPUT SPEEDS ARE AVAILABLE AT: WWW.HUBCITYINC.COM

OVERHUNG LOAD AND THRUST LOAD INFORMATION

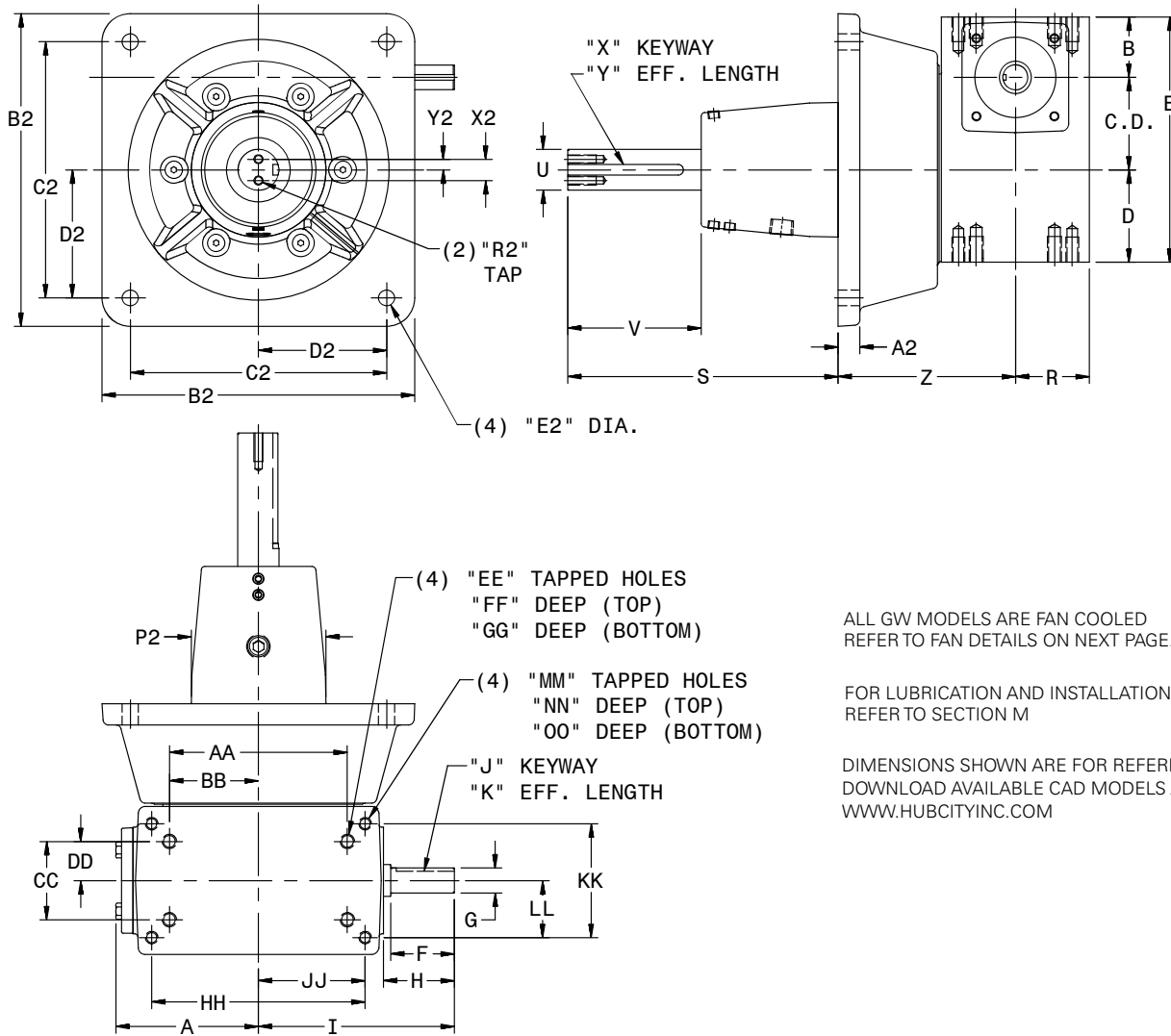
NOTE: ALL TORQUE VALUES LISTED IN INCH-POUNDS, ALL OVERHUNG LOAD VALUES LISTED IN POUNDS. THE POINT OF APPLICATION OF THE OVERHUNG LOAD IS CONSIDERED TO BE ONE SHAFT DIAMETER MEASURED OUTWARD FROM THE GEAR CASE HOUSING. AT SPEEDS ABOVE 1750 RPM, UNITS MAY BECOME THERMALLY LIMITED. FOR EXTENDED OPERATION, LIMIT INPUT HP TO 1750 RPM CATALOG RATING.

OUTPUT TORQUE VALUES SHOWN ARE INCH-POUNDS (IN-LB).

Hub City™ Worm Gear Drives

Single Reduction Models

307, 327, 387, 427, 457, 527, GW607, GW707, GW807, GW1007

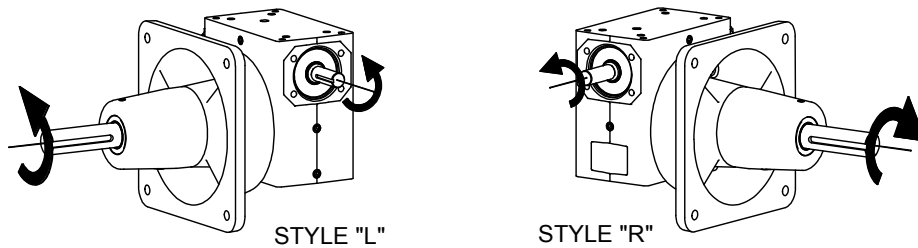


ALL GW MODELS ARE FAN COOLED
REFER TO FAN DETAILS ON NEXT PAGE.

FOR LUBRICATION AND INSTALLATION INSTRUCTIONS -
REFER TO SECTION M

DIMENSIONS SHOWN ARE FOR REFERENCE ONLY.
DOWNLOAD AVAILABLE CAD MODELS AT:
WWW.HUBCITYINC.COM

Standard Styles Available



CONSULT FACTORY FOR VERTICAL SHAFT LUBRICATION RECOMMENDATIONS.
INPUT SHAFT CAN BE ROTATED IN EITHER DIRECTION.

Hub City™ Worm Gear Drives

Single Reduction Models

307, 327, 387, 427, 457, 527, GW607, GW707, GW807, GW1007

MODEL	C.D.	A	B	D	E	F	G	H	I	J	K	R
307	3.001	4.84	2.624	3.250	8.875	2.38	.875/.8735	2.38	6.57	3/16 X 3/32 P&W	1.75	3.15
327	3.251	5.28	2.124	3.250	8.625	N/A	.875/.8735	2.38	6.75	3/16 X 3/32 P&W	1.75	2.60
387	3.751	4.90	2.374	3.937	10.062	2.20	1.000/.999	2.48	7.38	1/4 X 1/8 P&W	1.91	2.81
427	4.251	6.10	2.686	4.438	11.375	3.47	1.250/1.2485	3.47	9.60	1/4 X 1/8 P&W	2.87	3.62
457	4.501	5.23	2.499	4.625	11.625	2.98	1.125/1.124	3.21	8.44	1/4 X 1/8	2.50	2.32
527	5.168	5.98	2.624	5.375	13.167	N/A	1.250/1.249	3.27	9.25	1/4 X 1/8	2.63	2.53
GW607	6.000	N/A	4.000	6.500	16.500	N/A	1.500	3.41	11.78	3/8 X 3/16	3.00	5.28
GW707	7.000	N/A	4.320	7.590	18.910	N/A	1.625	2.98	11.50	3/8 X 3/16 P&W	2.87	6.06
GW807	8.000	N/A	4.100	8.860	20.960	N/A	1.875	2.84	12.50	1/2 X 1/4 P&W	2.81	6.22
GW1007	10.000	N/A	5.110	10.360	25.470	N/A	2.250	3.76	15.50	1/2 X 1/4 P&W	3.69	7.94

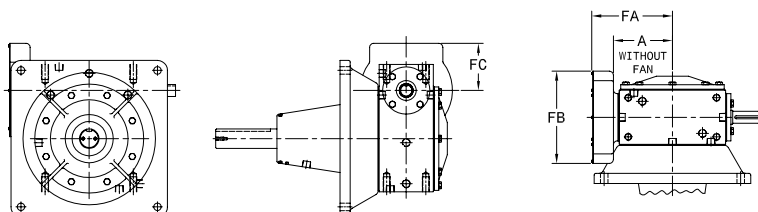
MODEL	OUTPUT FLANGE	S	U	V	X	Y	Z
307	STD	9.78	1.438/1.4365	4.96	3/8 X 3/16	3.88	4.60
	STD	9.50	1.4375/1.4365	4.68	3/8 X 3/16	3.87	6.22
327	LARGE **	9.50	1.625/1.624	4.63	3/8 X 3/16	3.69	6.37
	STD	9.50	1.625/1.624	4.63	3/8 X 3/16	3.69	6.58
387	LARGE **	10.49	1.6875/1.6865	5.49	3/8 X 3/16	4.69	6.18
	STD	10.76	1.688/1.6865	5.91	3/8 X 3/16	4.68	5.74
427	STD	10.50	1.6875/1.6865	5.50	3/8 X 3/16	4.69	6.00
457	STD	10.50	2.1875/2.1865	5.53	1/2 X 1/4	4.63	6.25
527	STD	15.50	2.4375/2.4367	7.62	5/8 X 5/16	6.50	8.25
607	STD	15.50	2.937	7.63	3/4 X 3/8	6.44	8.50
GW707	STD	17.06	3.438	9.25	7/8 X 7/16	8.00	10.00
GW807	STD	17.00	3.938	9.43	1 X 1/2	7.75	12.50

MODEL	OUTPUT FLANGE	A2	B2	C2	D2	E2	P2	R2	X2	Y2	WT. LBS.
307	STD	0.78	11.00	9.000	4.500	9/16	5.12	5/16 NC X 1.00 DP	0.75	0.38	107
327	STD	0.75	11.00	9.000	4.500	9/16	4.75	5/16 NC X 1.00 DP	0.75	0.38	107
	LARGE **	0.94	12.50	10.500	5.250	9/16	4.94	5/16 NC X 1.00 DP	0.75	0.38	
387	STD	0.94	12.50	10.500	5.250	9/16	4.94	5/16 NC X 1.00 DP	0.75	0.38	136
	LARGE **	1.07	14.00	12.000	6.000	11/16	5.52	3/8 NC X 1.00 DP	1.00	0.50	
427	STD	1.00	14.00	12.000	6.000	11/16	6.75	3/8 NC X 1.00 DP	1.00	0.50	176
457	STD	0.81	14.00	12.000	6.000	11/16	5.50	3/8 NC X 1.00 DP	1.00	0.50	176
527	STD	0.84	16.00	14.000	7.000	13/16	6.63	3/8 NC X 1.00 DP	1.50	0.75	224
607	STD	1.25	19.50	17.000	8.500	15/16	8.50	3/8 NC X 1.00 DP	1.50	0.75	363
GW707	STD	1.75	22.00	19.000	9.500	1 1/8	10.75	3/8 NC X 1.00 DP	2.00	1.00	560
GW807	STD	2.00	28.00	24.000	12.000	1 5/16	13.75	5/8 NC X 1.50 DP	2.12	1.06	780
GW1007	STD	2.25	32.00	28.000	14.000	1 5/16	17.00	5/8 NC X 1.50 DP	2.38	1.19	1180

** LARGE FLANGE AVAILABLE AS MODIFIED STANDARD. CONSULT FACTORY.

MODEL	AA	BB	CC	DD	EE	FF	GG	HH	JJ	KK	LL	MM	NN	OO
307	7.000	3.500	4.000	2.000	7/16 UNC	0.88	0.88	N/A	N/A	N/A	N/A	N/A	N/A	N/A
327	6.250	3.125	2.750	1.375	1/2 UNC	0.75	0.75	7.500	3.750	4.000	2.000	7/16 UNC	0.88	0.88
387	6.875	3.438	3.000	1.500	1/2 UNC	0.94	1.00	8.500	4.250	4.750	2.375	1/2 UNC	1.00	1.00
427	8.500	4.250	5.000	2.500	5/8 UNC	1.00	1.00	N/A	N/A	N/A	N/A	N/A	N/A	N/A
457	8.125	4.063	3.250	1.625	5/8 UNC	0.88	1.13	N/A	N/A	N/A	N/A	N/A	N/A	N/A
527	9.500	4.750	3.750	1.875	5/8 UNC	1.00	1.25	N/A	N/A	N/A	N/A	N/A	N/A	N/A
GW607	12.750	6.375	6.380	3.190	5/8 UNC	1.00	1.00	N/A	N/A	N/A	N/A	N/A	N/A	N/A
GW707	12.500	6.250	5.500	2.750	1 UNC	1.56	1.56	N/A	N/A	N/A	N/A	N/A	N/A	N/A
GW807	14.250	7.125	6.500	3.250	1 UNC	1.66	1.66	N/A	N/A	N/A	N/A	N/A	N/A	N/A
GW1007	17.750	8.875	6.875	3.438	1-1/4 UNC	2.04	2.04	N/A	N/A	N/A	N/A	N/A	N/A	N/A

Fan Detail for Models GW607 Through GW1007



MODEL	A	FA	FB	FC
GW607	N/A	11.13	9.50	4.00
GW707	N/A	11.37	9.65	4.83
GW807	N/A	12.52	9.65	4.83
GW1007	N/A	14.69	11.28	5.62

ALL GW MODELS ARE FAN COOLED.