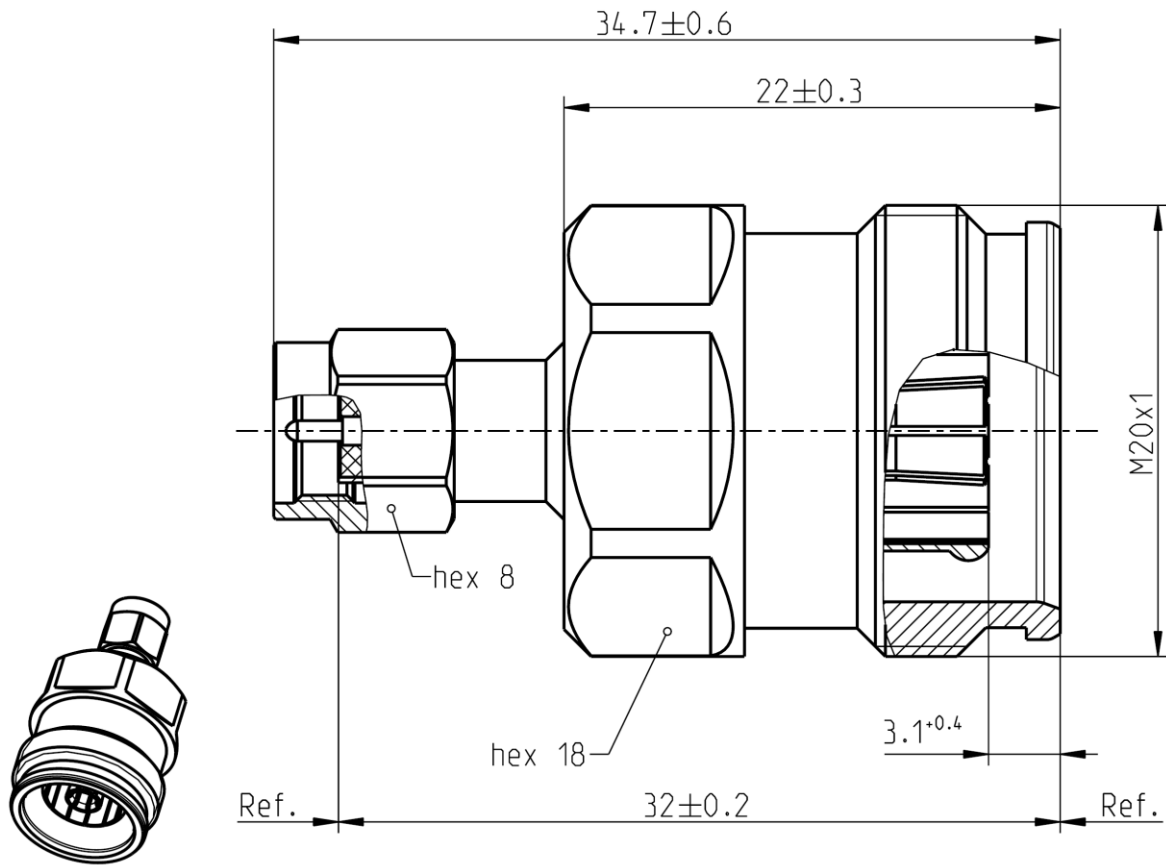


4.3-10  
SMA

Adaptor  
4.3-10 jack – SMA plug

**32S164-K00N1**



All dimensions are in mm; tolerances according to ISO 2768 m-H

**Interface**

According to 4.3-10 side: IEC 61169-54  
SMA side: IEC 60169-15, EN 122110, MIL-STD-348

**Documents**

Assembly instruction N/A

**Material and plating**

**Connector parts**

Connector parts		Material	Plating
Center contact	4.3-10 side:	CuBe	Silver, 3-6 µm
Center contact	SMA side:	Brass	AuroDur®, gold plated
Outer contact	4.3-10 side:	Brass	Silver, 3-6 µm
Body		Brass	Flash white bronze over silver(e.g. Optargen®)
Dielectric		PTFE	
Gasket		Silicone	

Dieses Dokument ist urheberrechtlich geschützt • This document is protected by copyright • Rosenberger Hochfrequenztechnik GmbH & Co. KG

RF\_35/05.10/6.0

