

FEATURES

- Compact Mounting
- High Performance
- Single Phase Input
- Reliable
- Led Indicators

RS PRO DIN Rail Power Supply - 230V ac Input Voltage, 24V dc Output Voltage, 650mA Output Current, 15W

RS Stock No.: 136-8303



RS Professionally Approved Products bring to you professional quality parts across all product categories. Our product range has been tested by engineers and provides a comparable quality to the leading brands without paying a premium price.

Product Description

From RS Pro a range of high-performance power supplies in a compact 35mm DIN rail mounting package for convenience and space saving. These DIN rail mount power supplies are available with a range of power ratings from 15W to 240W and accept single-phase AC input for conversion into a single DC output of either 12V, 15V, 24V or 48V DC.

General Specifications

Type	Switch Mode
AC or DC Input Voltage	230VAC
AC or DC Output Voltage	24VDC
Number of Outputs	1
Special Features	Compact Size, Cooling by Free Air Convection, LED Indicator for DC Low, LED Indicator for DC Power On, 3-Years Warranty, 100% Full Load Burn-In Test
Mounting Type	DIN Rail, Vertical Mount
Short Circuit Protection	Yes
Over Voltage Protection	Yes
Indication of Output Voltage	LED, continuous green light
Applications	Sensors, Transmitters/receivers, Analyzers, PLCs Motors, Actuators, Solenoids, Relays

Electrical Specifications

RS Stock#	Input Voltage	Output Voltage	Output Current	Output Wattage	Efficiency (Typ)
136-8301	100VAC-240VAC	+ 12VDC	1.2A	15W	80%
136-8302	100VAC-240VAC	+ 15VDC	1A	15W	83%
136-8303	100VAC-240VAC	+ 24VDC	0.65A	15W	83%

Input Specifications		
Input Electrical Phase	Single	
Input current	0.15A/230VAC	
Line Frequency	47 to 63Hz	
Inrush current at 25°C 230V	60A	
Efficiency (Typ.)	83%	
Output Specifications		
Output Voltage Adjustment	23.5VDC-24.5VDC	
Ripple and Noise	15mV	
Hold Up Time	20ms/115VAC	
Line Regulation	1%	
Load Regulation	1%	
Voltage Isolation	Input-Output	3000VAC
	Input-Ground	1500VAC
	Output-Ground	1500VAC
Surge Voltage	2kV	
MTBF	200Khrs	

Mechanical Specifications

Height	95mm
Depth	108mm
Width	22.5mm
Weight	200g
Dimensions	22.5mm x 95mm x 108mm

Operation Environment Specifications

Operating Humidity	20% to 95% RH
Operating Temperature Range	-25°C to 70°C
Storage Temperature Range	-40°C to 85°C
Cooling	Free Air convection

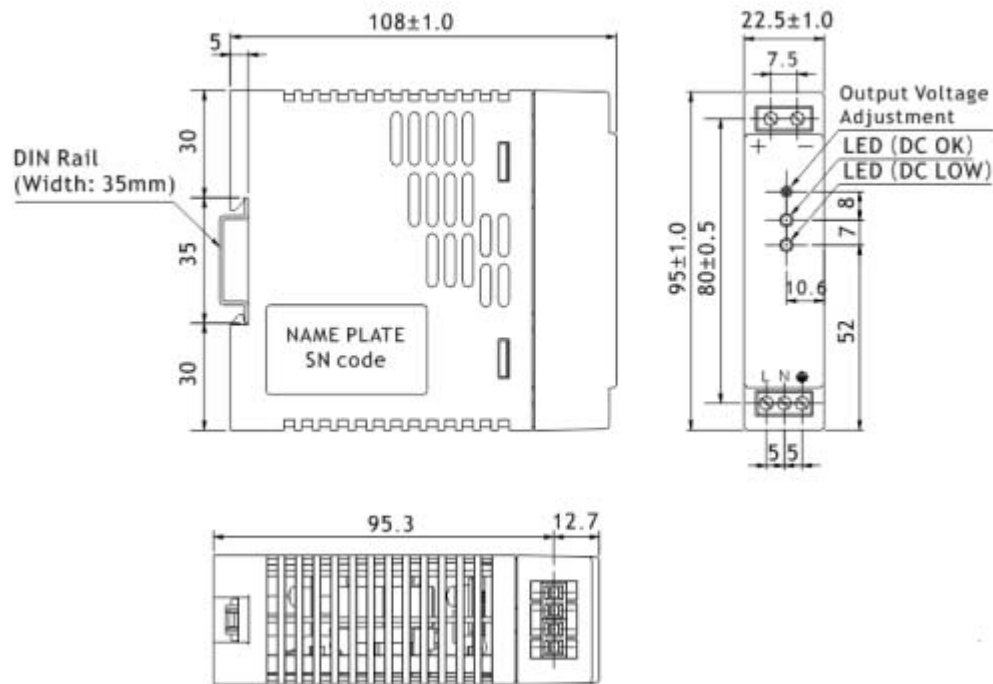
Approvals

Standards Met	CB, CE, CUL, CULus Recognised, FCC, UL
----------------------	--



Stock Number	Nominal Input Voltage	Output Voltage	Output Current	Ripple (Typ.)	Efficiency (Typ.)	Certificate
136-8301	100-240VAC	12V	1.2A	12mV	80%	CE, FCC, CB, UL, CUL
136-8302	100-240VAC	15V	1A	15mV	83%	CE
136-8303	100-240VAC	24V	0.65A	15mV	83%	CE, FCC, CB, UL, CUL

Mechanical

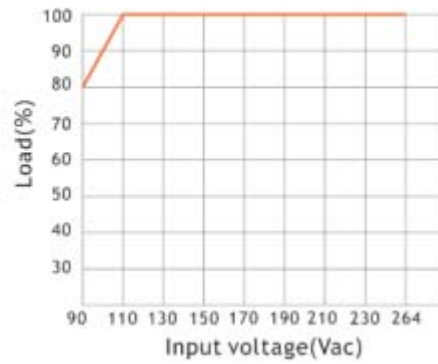
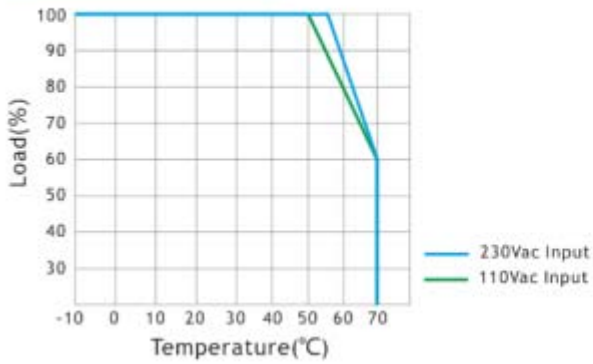


Mechanical

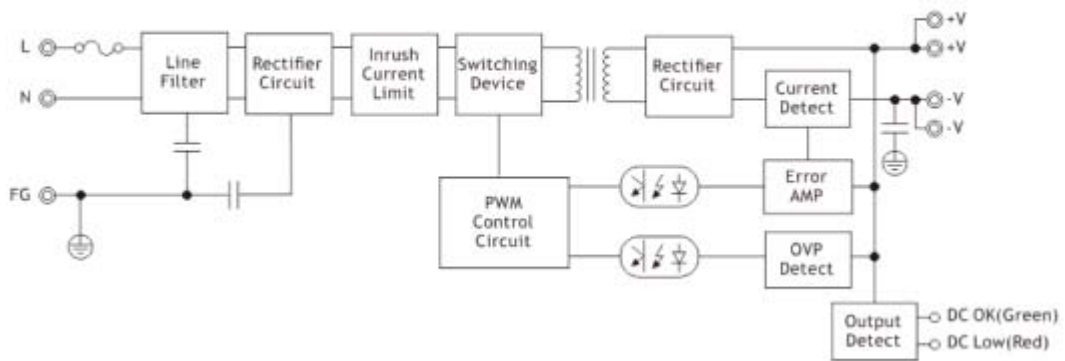


Marking	No.	Assignment
+	1	DC(+) Output Terminal
-	2	DC(-) Output Terminal
L	3	AC(L) Input Terminal
N	4	AC(N) Input Terminal
⊕	5	AC Grounding Terminal
V-ADJ.	/	DC Output voltage adjustment trimmer
DC OK	/	DC Output OK indication LED(Green)
DC LOW	/	DC Output Low indication LED(Red)

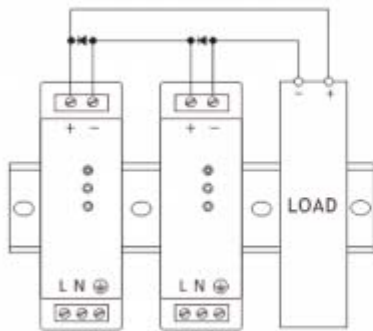
Electrical Curve



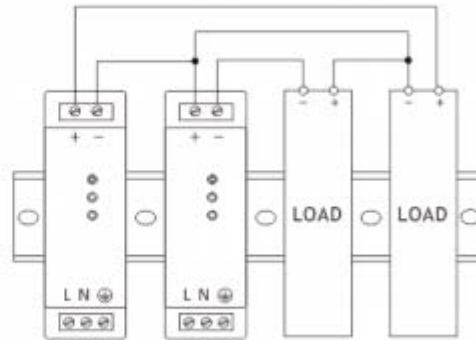
Block Diagram



Series Operation

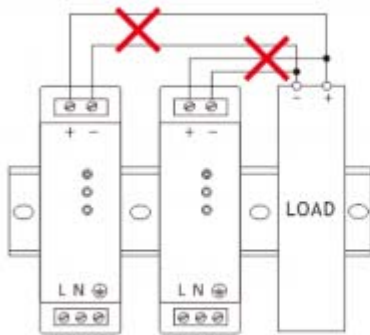


Series Operation A

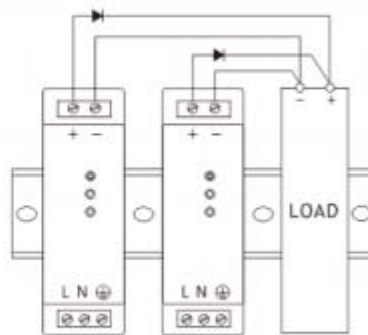


Series Operation B

Parallel Operation



Parallel Operation A
(Unable to use)



Parallel Operation B
(Backup)

Mounting Method

