

Datasheet

RS Pro Dual Port Horizontal Panel Mount 3.0 USB Connector Receptacle

RS Stock No: 143-8926



Brought to you by RS Pro, these dual USB 3.0 compliant sockets are mounted in a single space-saving universal XLR receptacle. Chosen to allow industry standard panel cutouts and maximum panel mounting density. Output connection header pins are configured to facilitate either direct soldering to PCBs or connection by header cable. All models are highly reliable and excellent quality.

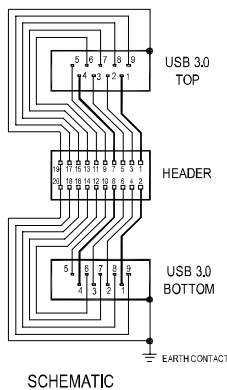
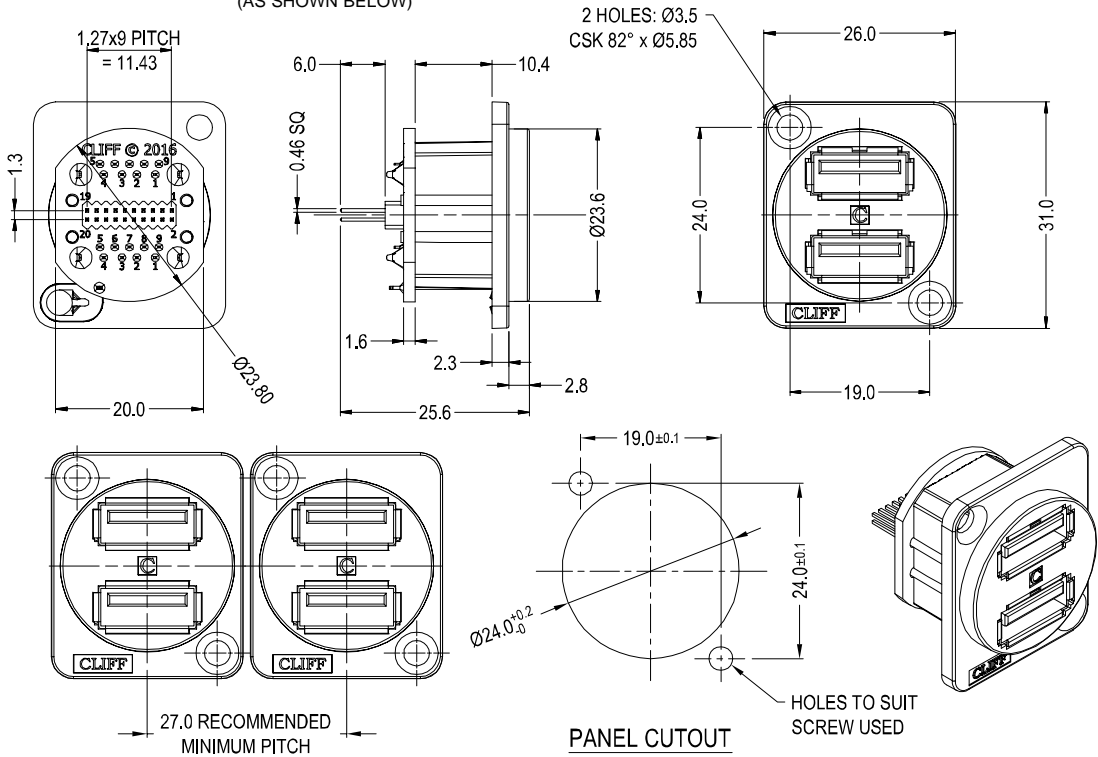
Attribute	Value
Gender	Female
Mounting Type	Panel Mount
Termination Method	Solder
USB Version	3.0
Body Orientation	Horizontal
Number of Ports	2

DUAL USB3.0 WITH EARTH



PART No. **CP30105** - WITH CSK HOLES FOR FRONT MOUNTING
(AS SHOWN BELOW)

PART No. **CP30105X** - WITH Ø2.5mm PLAIN HOLES FOR BACK MOUNTING



	Pin No.		Header Pin	
Top USB	1	VBUS	1	
	2	D-	3	
	3	D+	5	
	4	GND	7	
	5	StdA_SSRX-	9	
	6	StdA_SSRX+	11	
	7	GND_DRAIN	13	
	8	StdA_SSTX-	15	
	9	StdA_SSTX+	17	
	USB Body + Panel Earth			
Bottom USB	1	VBUS	2	
	2	D-	4	
	3	D+	6	
	4	GND	8	
	5	StdA_SSRX-	10	
	6	StdA_SSRX+	12	
	7	GND_DRAIN	14	
	8	StdA_SSTX-	16	
	9	StdA_SSTX+	18	
		USB Body + Panel Earth		
				20