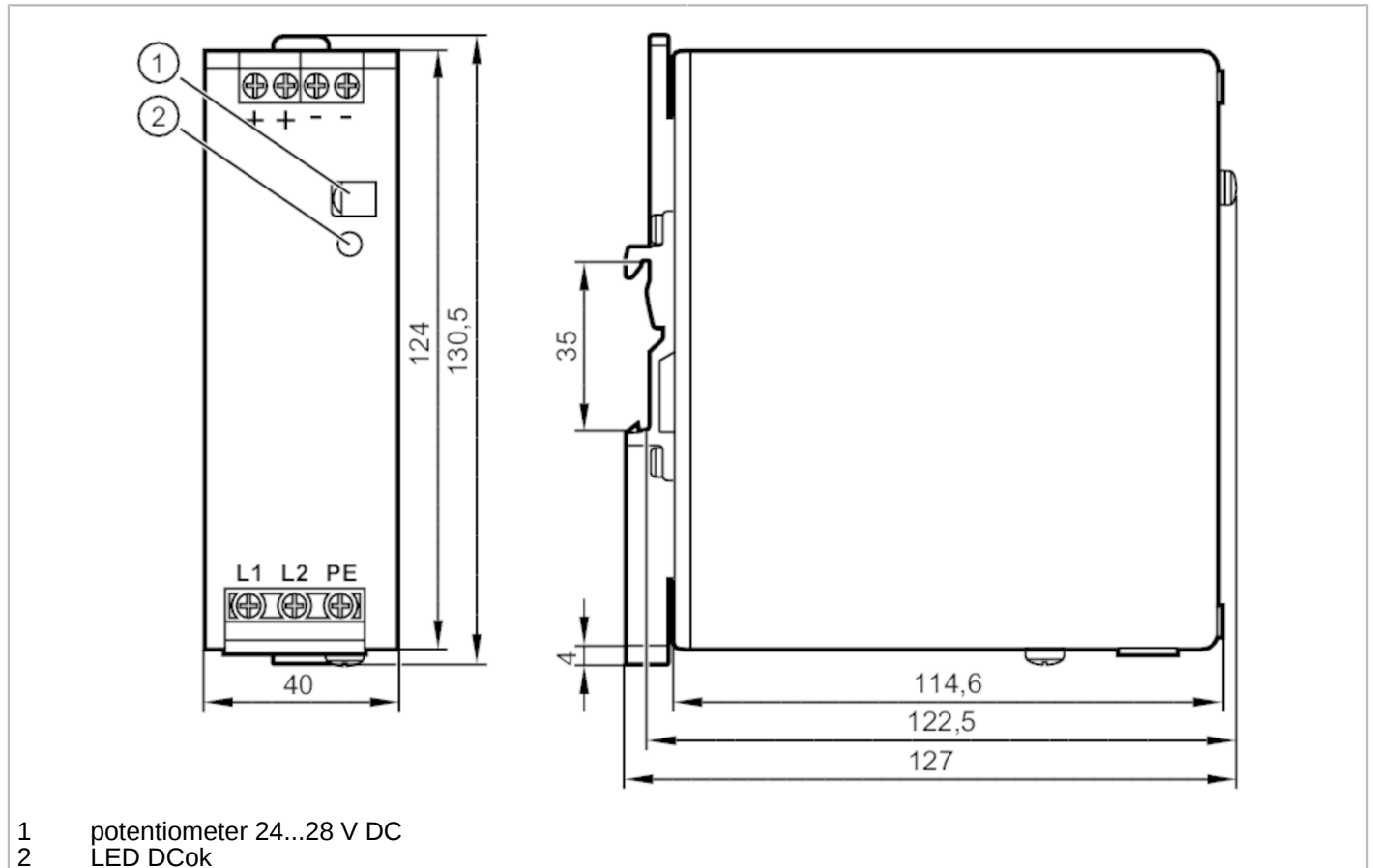


DN4032



Switched-mode power supply 24 V DC

PSU-2AC/24VDC-5A



Electrical data	
Frequency AC	[Hz] 47...64
Operating voltage tolerance	[%] 15...20
Nominal voltage AC	[V] < 400
Input voltage range AC	[V] 380...480
Output voltage DC	[V] 24...28
Protection class	I; (IEC 61140)
Oversvoltage protection	yes; (< 32 DC)
Output voltage	[V] adjustable; output voltage to SELV, PELV
Max. output current at min. output voltage	[A] 5
Max. output current at max. output voltage	[A] 4.3
Max. output current peak at min. output voltage	[A] 6
Max. output current peak at max. output voltage	[A] 5.2
Output power (permanent)	[W] 120
Output power (peak)	[W] 144
Note on output power (peak)	≤ 45 °C permitted continuously; > 45 °C < 1 minute every 10 minutes

DN4032



Switched-mode power supply 24 V DC

PSU-2AC/24VDC-5A

Power factor (nominal voltage 400 V AC / 50 Hz)		0.45
Note on power factor (nominal voltage 400 V AC / 50 Hz)		with symmetrical phase voltage
Power factor (nominal voltage 480 V AC / 50 Hz)		0.43
Note on power factor (nominal voltage 480 V AC / 50 Hz)		with symmetrical phase voltage
Power reserve	[%]	20
Number of output circuits		1
Max. residual ripple	[mV]	50
Switch-on peak current (nominal voltage 400 V AC / 60 Hz)	[A]	4
Switch-on peak current (nominal voltage 480 V AC / 50 Hz)	[A]	4
Inrush current limitation		yes
Efficiency (nominal voltage 400 V AC / 60 Hz)	[%]	90.4
Efficiency (nominal voltage 480 V AC / 50 Hz)	[%]	90
External input protection		$\leq B-6 A / \leq C-3 A$
Derating	[W/K]	3 (60...70 °C)
Mains buffering time (nominal voltage 400 V AC / 60 Hz)	[ms]	27
Mains buffering time (nominal voltage 480 V AC / 50 Hz)	[ms]	48
Input current (nominal voltage 400 V AC / 60 Hz)	[A]	0.75
Input current (nominal voltage 480 V AC / 50 Hz)	[A]	0.68
Power loss (nominal voltage 400 V AC / 60 Hz)	[W]	12.7
Power loss (nominal voltage 480 V AC / 50 Hz)	[W]	13.3
Back feeding protection	[V]	35

Outputs

Short-circuit proof		yes
Overload protection		yes
Overload performance		constant output current

Operating conditions

Ambient temperature	[°C]	-25...70
Note on ambient temperature		observe the free space for convection (see operating instructions)
Storage temperature	[°C]	-40...85
Max. relative air humidity	[%]	95; (IEC 60068-2-30)
Protection		IP 20; (EN 60529)
Degree of soiling		2; (IEC 62103: conductive soiling not permitted)

DN4032



Switched-mode power supply 24 V DC

PSU-2AC/24VDC-5A

Tests / approvals		
EMC	EN 61000-6-1	
	EN 61000-6-2	
	EN 61000-6-3	
	EN 61000-6-4	
	EN 61000-3-2	class A
Vibration resistance	IEC 60068-2-6	±1,6 mm 2...17,8 Hz / 2 g 17,8...500 Hz
Shock resistance	IEC 60068-2-27	30 g 6 ms / 20 g 11 ms
Power Factor Correction (PFC)	met	

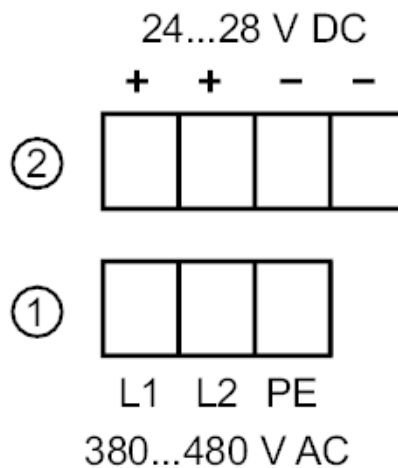
Mechanical data		
Weight [g]	607	
Type of mounting	rail; (TH35 (EN 60715))	
Dimensions [mm]	124 x 40 x 122.5	
Material	steel sheet	

Displays / operating elements		
Display	DCok	1 x LED

Remarks		
Remarks	series connection of outputs only applies to identical units up to max. 150 V DC overall voltage	
Pack quantity	1 pcs.	

Electrical connection		
screw terminals:		

Connection



- 1: primary
- 2: secondary

DN4032

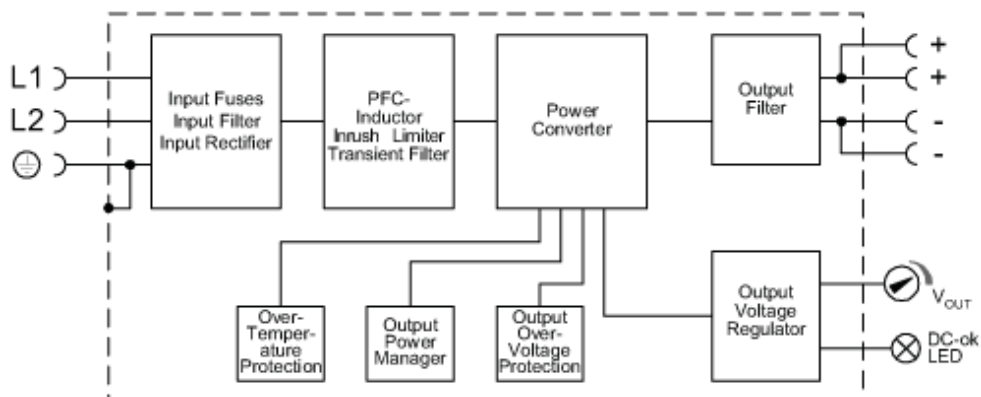


Switched-mode power supply 24 V DC

PSU-2AC/24VDC-5A

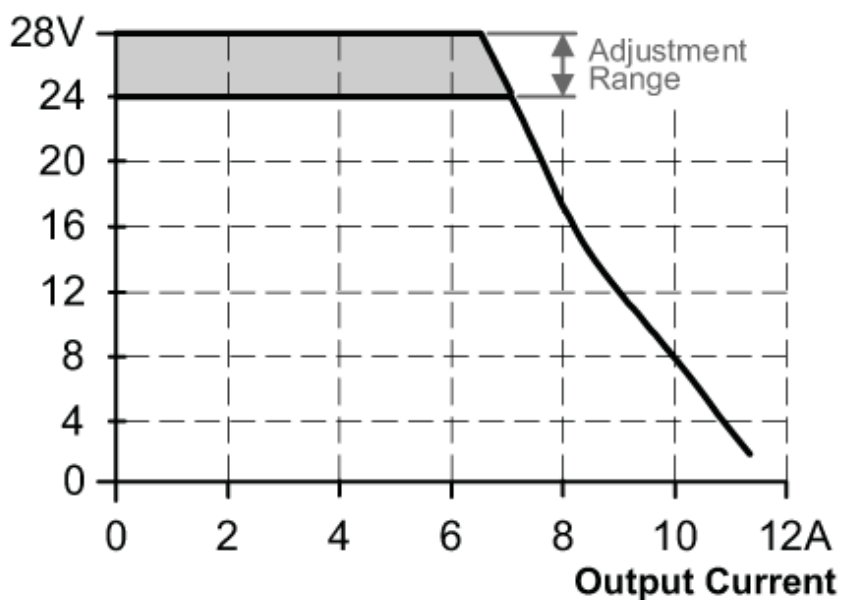
Diagrams and graphs

Block diagram



Output curve

Output Voltage



DN4032

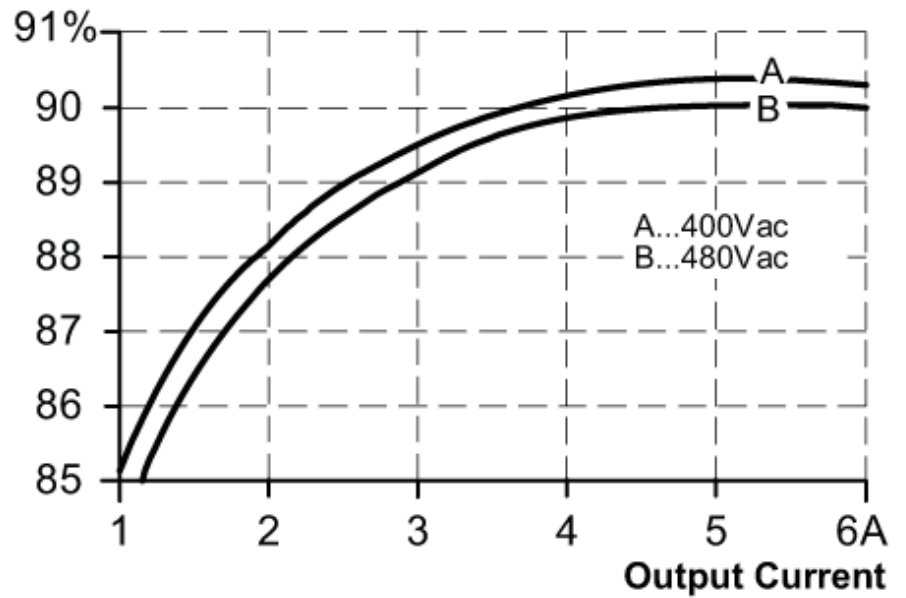


Switched-mode power supply 24 V DC

PSU-2AC/24VDC-5A

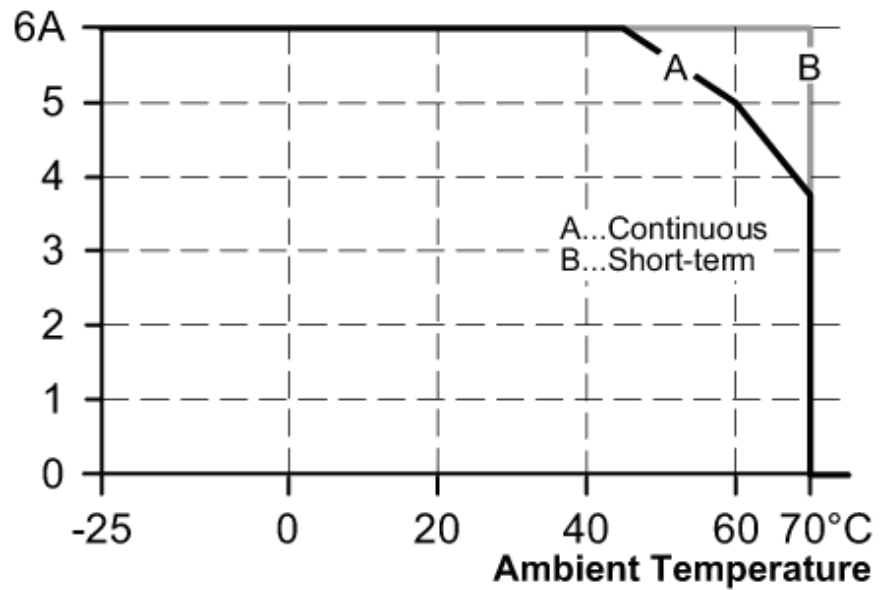
Characteristic curve for degree of efficiency / power loss

Efficiency



Characteristic curve for derating

Allowed Output Current at 24V



DN4032



Switched-mode power supply 24 V DC

PSU-2AC/24VDC-5A

Characteristic curve for mains buffering time

Hold-up Time at 24Vdc

