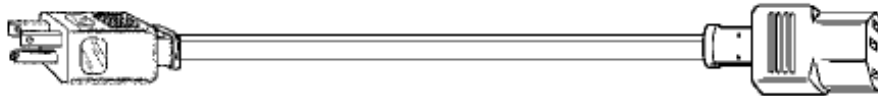




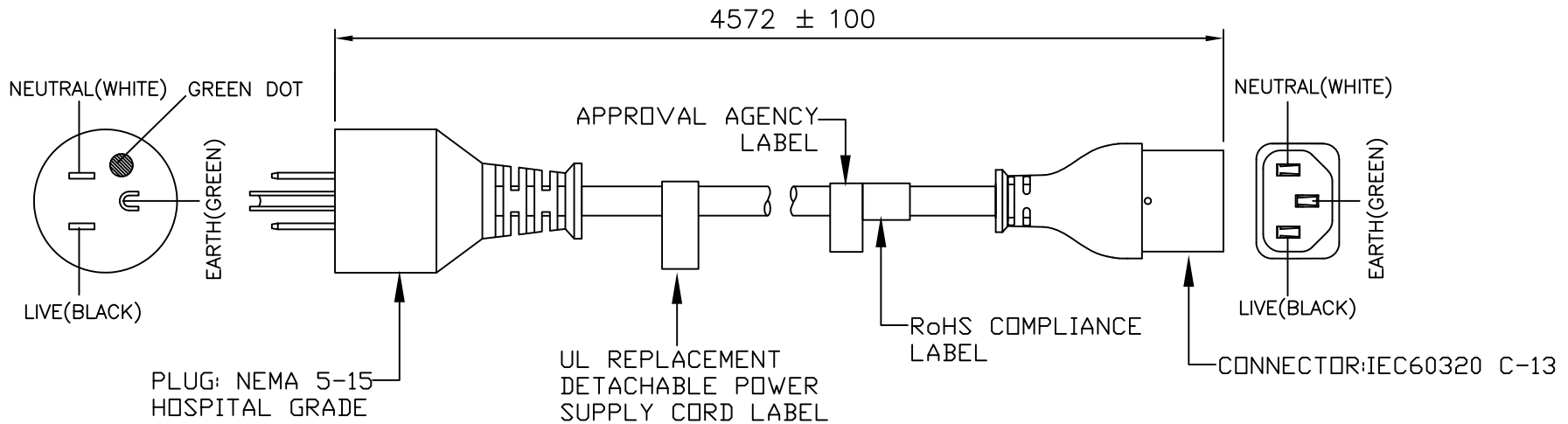
VOLEX

GROUP

Standard Cord Details: 17966 8 S15

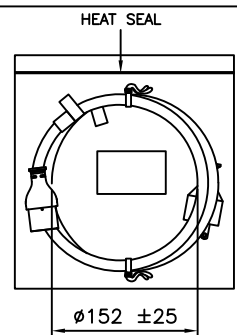


Specifications	
Certifications	
Part Number	17966 8 S15
Connector Type	C13
Plug Type	5-15P
Category	Plastic
Application	Medical
Plug Catalog No.	PS206
Connector Catalog No.	386A
Cable	SJT AWG 16x3
Jacket Color	Gray
Length in Feet	15'
Length in Meters	4.6
Temperature Rating	60C
Packaging Units Per Carton	S-15
Color Coding	North America
Nominal OD in Inches	0.34
Nominal OD in Millimeters	8.6
Notes	Same as 17020A except 15ft & 16 AWG. Medical Cord.




VOLEX RESERVES THE RIGHT TO ALTER NON-CRITICAL DIMENSIONS WITHOUT NOTICE.

PACKAGING: COIL & BAG



- NOTES:
- 1) CORDAGE: 16/3 SJT, 60°C, GRAY
 - 2) APPROVALS: UL/CSA DETACHABLE POWER SUPPLY CORD.
 - 3) RATING: 13 AMP/125 VOLTS
 - 4) FLAME RATING : FT2
 - 5) GREEN DOT WILL APPEAR ON PLUG TO INDICATE HOSPITAL GRADE APPROVAL FOR PLUG.
 - 6) PACKAGING: 30 BAGS/CARTON
 - 7) ALL DIMENSIONS IN MILLIMETERS UNLESS OTHERWISE NOTED.

3	UPDATE NEW CONNECTOR & TOLERANCE.	11/08/21
2	REDRAWN TO SHOW CHINESE MANUFACTURED CORD	12/10/07
1	C.U.D - NEW RELEASE	5/9/05
REV	DESCRIPTION	DATE



FORM IN71-07 REV.A

- Indianapolis, IN
- Conover, N.C.
- Fremont, CA
- Aguascalientes, MX
- Tijuana, Mexico
- Hermosillo, MX
- Clinton, AR
- Kanata, Canada

Proprietary Notice:

This document is the property of Volex Incorporated. The information contained herein is not to be disclosed to anyone without the express written consent of Volex Inc.

MATERIAL:
 PLUG: PVC, CLEAR
 CONNECTOR: PVC, GRAY
 JACKET: PVC, GRAY

FINISH:
 JACKET: SMOOTH

SCALE:
 NOT TO SCALE

ECD:
 N/A

TOLERANCE UNLESS OTHERWISE SPECIFIED
 .XXX ± .005
 .XX ± .02
 .X ± .03
 FRACT. ± 1/32
 ANGULAR ± 1/2°

ITEM DESCRIPTION
 CORDSET - NORTH AMERICAN
 DETACHABLE POWER SUPPLY CORD (15')

APPROVED	DRAWN BY	DATE:
	STC	5/9/05
PART NO.		
17966 8 S15		