

MODEL 58TP – PROGRAMMABLE INCREMENTAL THRU-BORE ENCODER



Ø58 mm

FEATURES

- Programmable with USB Module or Factory Configured when Ordered
- Programmable Resolution from 1 to 65,536 CPR
- Programmable Output Type and Wave Form
- 58 mm Thru-Bore or Hollow Bore (Blind)
- Standard and Metric Thru-Bore Sizes up to 5/8" and 15 mm
- Several Flexible Mounting Options
- Sealing Options up to IP67

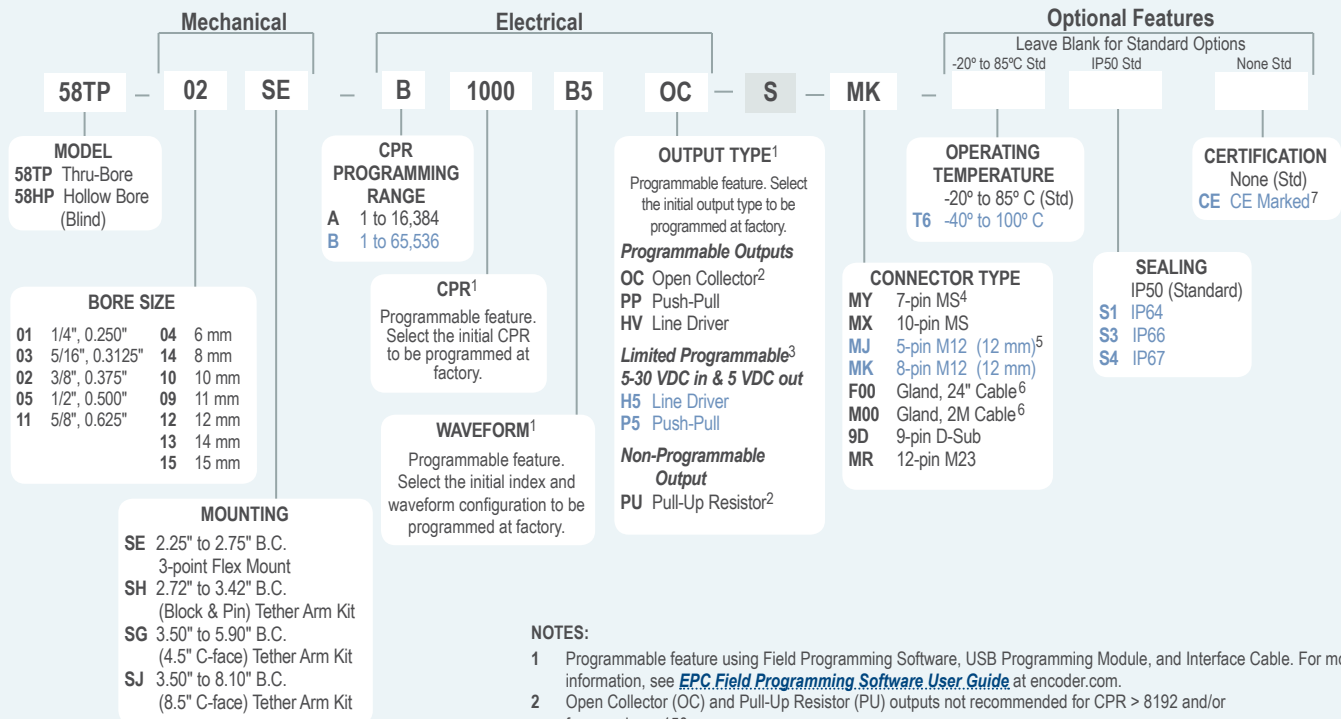
The Model 58TP Programmable 58 mm Accu-CoderPro™ thru-bore encoder is specifically designed for the challenges of an industrial environment. Its advanced set of electronics allow the encoder to be programmed to meet your exact application needs. Using EPC's optional programming module, users may select the output type, 32 different waveforms, and any resolution from 1 to 65,536 CPR – that's 262,144 counts using 4x quadrature counting. These programming features allow a single encoder to be configured for multiple applications, enabling one encoder to replace many different part numbers – and that provides cost savings on inventory and down-time replacement. The 58TP can also be configured and shipped with specs pre-programmed, with no on-site programming needed.

COMMON APPLICATIONS

Motor Control, Conveyors, Elevator Controls, Machine Control, Food Processing, Process Control, Robotics, Material Handling, Textile Machines and all types of Motion Control Feedback

MODEL 58TP ORDERING GUIDE

Blue type indicates price adder options. Not all configuration combinations may be available. Contact Customer Service for details.



NOTES:

- Programmable feature using Field Programming Software, USB Programming Module, and Interface Cable. For more information, see [EPC Field Programming Software User Guide](#) at encoder.com.
- Open Collector (OC) and Pull-Up Resistor (PU) outputs not recommended for CPR > 8192 and/or frequencies > 150 KHz.
- If ordered with initial output type of either H5 or P5, encoder cannot be programmed to OC, PP, or HV output types.
- 7-pin MS Connector does not provide Index Pulse Z when selected output is Line Driver (HV or H5).
- 5-pin M12 Connectors only available with Pull-Up, Open Collector, and Push-Pull output types.
- For non-standard English cable lengths enter 'F' plus cable length expressed in feet. Example: F06 = 6 feet of cable. For non-standard metric cable lengths enter 'M' plus cable length expressed in meters. Example: M06 = 6 meters of cable. Frequency above 300 kHz standard cable lengths only.
- Please refer to Technical Bulletin [TB100: When to Choose the CE Mark](#) at encoder.com.

ACCU-CODERPRO™
by Encoder Products Company

MODEL 58TP SPECIFICATIONS

Electrical

Input Voltage..... 4.75 to 30 VDC max. See Output Types for limitations

Input Current 100 mA max with no output load (65 mA typical)

Output Format..... Incremental, Programmable. See Waveforms on following page for options.

Output Types..... **Line Driver* (HV)** – 20 mA max per channel, max freq 1.0 MHz, 5 VDC max at 100° C or 24 VDC max at 85° C.
Line Driver* (H5) – 5-30 VDC in/5 VDC out, 20 mA max per channel, max freq 2.7 MHz, 5 VDC max at 100° C.
Push-Pull (PP) – 20 mA max per channel, max frequency 1.0 MHz, 5 VDC max at 100° C or 24 VDC max at 85° C.
Push-Pull (P5) – 5-30 VDC in/5 VDC out, 20 mA max per channel, max frequency 2.7 MHz, 5 VDC max at 100° C.
Open Collector (OC) – 100 mA max per channel, 200 KHz max freq recommended
Pull-Up (PU) – 2.2K ohm internal resistors, 100 mA max per channel, 150 KHz max freq recommended, max temp 85° C at > 24 VDC
**Meets RS 422 at 5 VDC supply*

Index Once per revolution, programmable. EPC standard is 180° gated to output A (waveform B5). See *Waveform Diagrams* for additional options.

Index Teach..... Index location adjustable via programming interface.

Max Frequency 2.7 MHz subject to RPM restrictions for high resolution (CPR):
 5000 RPM max for CPR 16385 to 32768 and 2500 RPM max for CPR 32769 to 65536
 NOTE: Use 5 VDC Line Driver (H5 or HV output type) to obtain high frequencies.

Electrical Protection .. Overvoltage, reverse voltage, and output short circuit protected. NOTE: Sustained over or reverse voltage may result in permanent damage.

CE/EMC Immunity tested per EN 61000-6-2:2005
 Emission tested per EN 61000-6-4:2007 + A1: 2011

Rise Time Less than 1 microsecond

Accuracy..... Better than 0.015° or 54 arc-sec from true position

Diagnostic LED located on encoder housing and error report available via programming Interface.

Mechanical

Max Shaft Speed..... 6000 RPM. Higher shaft speeds may be achievable, contact Customer Service.

Shaft Material 303 Stainless Steel

Shaft Rotation Bi-directional

Bore Tolerance -0.0000"/+0.001"

User Shaft Tolerances
 Radial Runout..... 0.005" max
 Axial Endplay..... ±0.030 max

Starting Torque IP50 sealing: 3.0 oz-in typical
 IP64 sealing: 4.0 oz-in typical
 IP66 or IP67 sealing: 7.0 oz-in typical

Moment of Inertia... 5.5 x 10⁻⁴ oz-in-sec²

Housing Black non, corrosive finish

Weight..... 10 oz.

Environmental

Operating Temp -20° to 85° C for standard models
 -40° to 100° C for extended temp option

NOTE: For IP66 or IP67 sealing derate max temperature of 100° C by 4° C for every 1000 RPM above 2000 RPM.

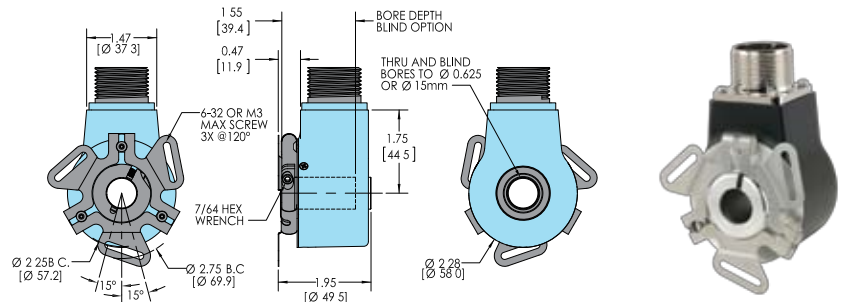
Humidity..... 95% RH non-condensing

Vibration..... 10 to 2000 Hz A 20g (International Standard IEC 60068-2-6)

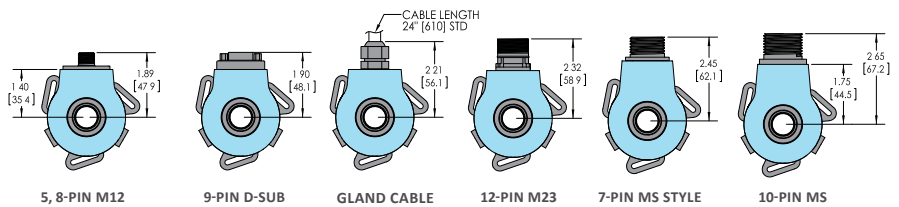
Shock..... 80g @ 6 ms Duration (International Standard IEC 60068-2-27)

Sealing..... IP50 standard; IP64, IP66 or IP67 optional

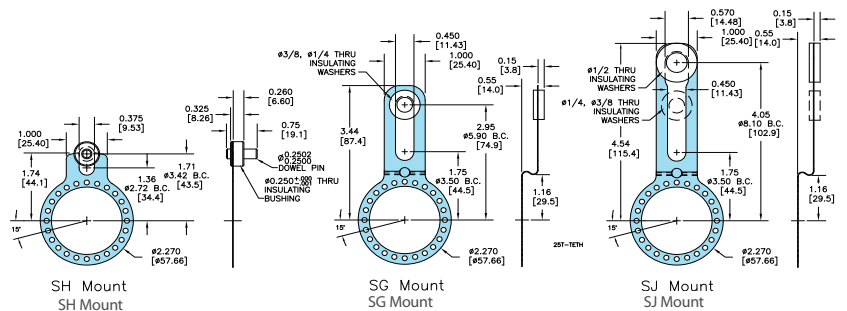
MODEL 58TP / 58HP 3-POINT FLEX MOUNT (SE)



MODEL 58TP / 58HP CONNECTOR OPTIONS



MODEL 58TP / 58HP MOUNTING OPTIONS



All dimensions are in inches with a tolerance of +0.005" or +0.01" unless otherwise specified. Metric dimensions are given in brackets [mm].

WIRING TABLE

For EPC-supplied mating cables, refer to wiring table provided with cable. Trim back and insulate unused wires.

Function	Gland Cable† Wire Color	5-pin M12**	8-pin M12**	10-pin MS	7-pin MS HV,H5	7-pin MS PU,PP,OC,P5	9-pin D-sub	12-pin M23
Com	Black	3	7	F	F	F	9	10
+VDC	Red	1	2	D	D	D	1	12
A	White	4	1	A	A	A	2	5
A'	Brown	--	3	H	C	--	3	6
B	Blue	2	4	B	B	B	4	8
B'	Violet	--	5	I	E	--	5	1
Z	Orange	5	6	C	--	C	6	3
Z'	Yellow	--	8	J	--	--	7	4
Case	Green	--	--	G	G	G	8	9
Shield	Bare*	--	--	--	--	--	--	--
+VDC Sense	--	--	--	--	--	--	--	2
Com Sense	--	--	--	--	--	--	--	11

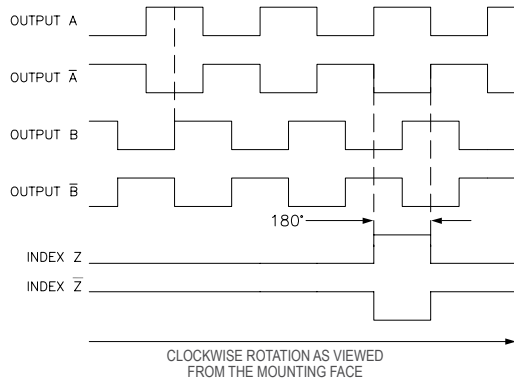
*CE Option: Cable shield (bare wire) is connected to internal case.

†Standard cable is 24 AWG conductors with foil and braid shield.

**CE Option: Use cable cordset with shield connected to M12 connector coupling nut.

EPC STANDARD WAVEFORM (B5)

Additional waveforms available. See below for other options.



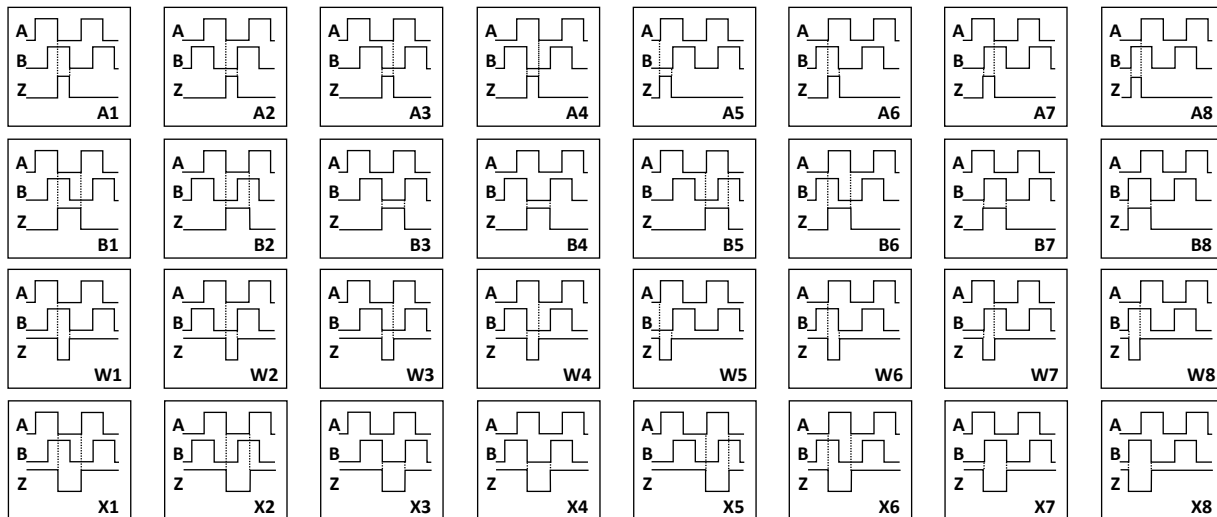
NOTE: ALL DEGREE REFERENCES ARE ELECTRICAL DEGREES.
COMPLEMENTARY SIGNALS A, \bar{B} , \bar{Z} APPLY TO LINE DRIVER (HV & HS) OUTPUTS ONLY.



An EPC Thru-Bore Encoder in a common application, mounted on a motor with an SJ Flex Mount

WAVEFORMS

Choose any of these waveforms using the Field Programming Software, USB programming module, and interface cable (see following page).



Odd numbers - A leads B
Even numbers - B leads A

A and B - High Going Index
W and X - Low Going Index

A and W - 90 Degree Index
B and X - 180 Degree Index

With the easy to use, point-and-click interface, programming is quick and straight-forward. The number of possible configurations makes this Size 58 programmable thru-bore or hollow bore encoder incredibly versatile. Anywhere a Size 58 thru-bore or hollow bore encoder goes, the Model 58TP can get the job done.

Available on USB drive or by download.

System requirements:

- Windows 7 or higher operating systems
- USB 2.0 port required for USB Programming Module (see below)

✓ **CPR – any resolution from 1 to 65,536**

That's 262,144 counts using 4x quadrature counting

✓ **Waveform – choose from 32 options**

See previous page for waveform choices

✓ **Output type – 6 different output types**

All output types are 5V to 30V in/out except H5 Line Driver and P5 Push-Pull output types, which are 5-30VDC in and 5VDC out



USB PROGRAMMING KIT
 Kit includes Field Programming Software, USB Programming Module, and 2-meter Interface Cable with specified connector. See Accessories for individual Interface Cables.



Model 58TP with SE Flex Mount assembled with programming accessories



Interface Cable
 USB Programming Module (black)
 USB drive for Field Programming Software (blue)

CONNECTOR TYPE	ITEM #
7-pin MS	PR1-001-07
10-pin MS	PR1-001-10
5-pin M12	PR1-001-J
8-pin M12	PR1-001-K
9-pin D-Sub	PR1-001-09
Gland Cable	PR1-001-G
12-pin M23	PR1-001-R

EPC RESERVES THE RIGHT TO UPDATE, REVISE AND AMEND ALL SOFTWARE AND TECHNICAL DATA OR CONTENT AT ANY TIME. EPC SHALL HAVE NO LIABILITY OF ANY KIND OR NATURE FOR ANY TECHNICAL ERRORS OR OMISSIONS IN ANY SOFTWARE OR TECHNICAL DATA. See encoder.com for more information.