



SERIES 265 CARD LOK

RECOMMENDED GAP WIDTH

PCB + 6.35 mm (.250 in)

RECOMMENDED TORQUE

68 N-cm (6 in-lbs)

With "L" option 90 N-cm (8 in-lbs)

WEIGHT

.89 g/cm (.080 oz/in)

MATERIALS AND FINISH

SHAFT

Material: Alluminum alloy 7075-T6 per ASTM B221 or AMS-QQ-A-200/8

Finish: See finish table on opposite page

BODIES AND WEDGES

Material: Aluminum Alloy 6061-T6 per ASTM-B221 or AMS-QQ-A-200/8

Finish: See finish table on opposite page

SCREW

.09-in. or 2.5-mm hex. socket head cap screw, depending on mounting configuration

Material: NAS1352C, Modified NAS1352C04 or 300 series stainless steel, stainless steel per ASTM-A582

Finish: Passivated per AMS2700

LOCK AND FLAT WASHER

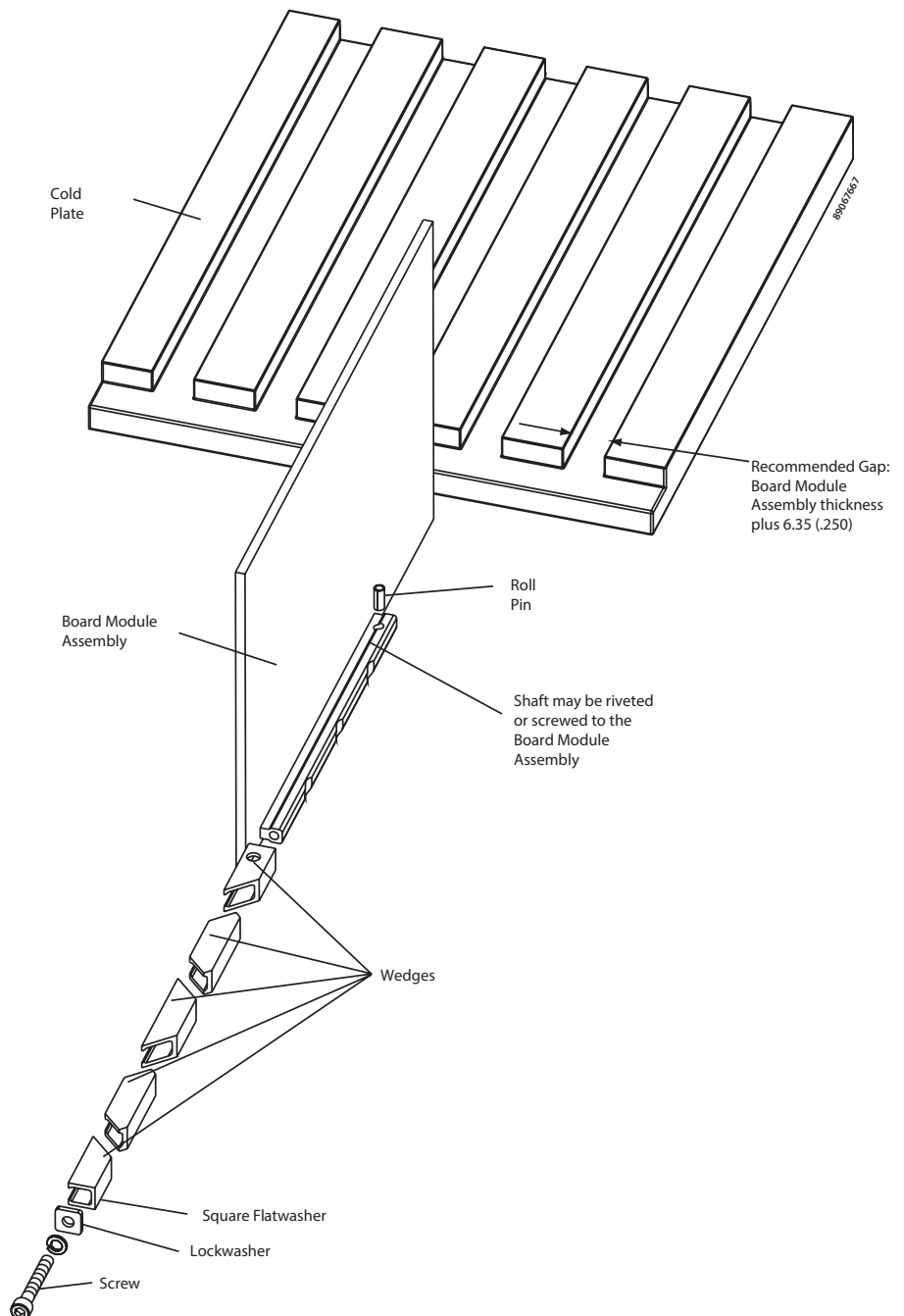
Material: 300 series stainless steel

Finish: Passivated per AMS2700

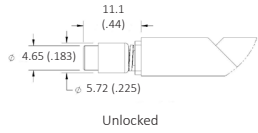
ROLLPIN

Material: 400 series stainless steel

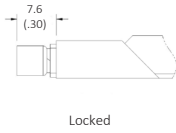
Finish: Passivated per AMS2700



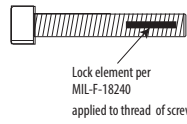
SERIES 265 CARD LOK



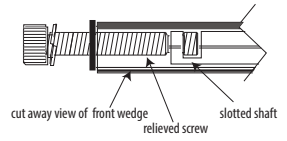
Unlocked



Locked



Lock element per MIL-F-18240 applied to thread of screw



cut away view of front wedge relieved screw slotted shaft

Detail "V"

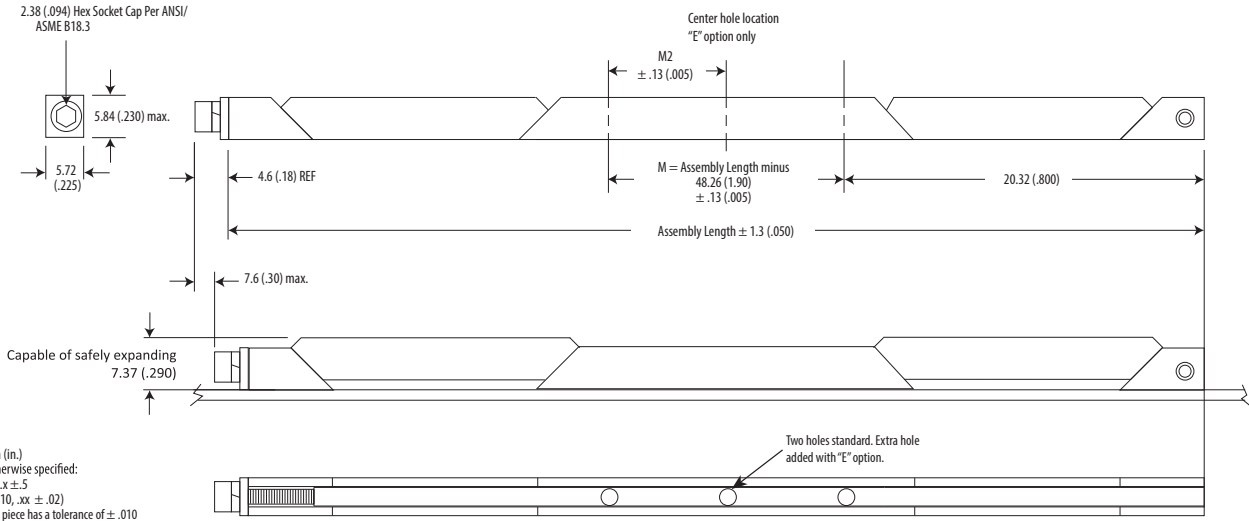
Provides visual lock indication

Detail "L"

Provides prevailing torque for resistance to loosening from shock and vibration. Adds 22 N-cm (2 in-lbs) torque to assembly.

Detail "K"

Prevents the unintentional disassembly of screw from shaft.



Units: mm (in.)
Unless otherwise specified:
.xx ± .25, .x ± .5
(.xxx ± .010, .xx ± .02)
Note: Each piece has a tolerance of ± .010

Part Number Code	M	V	A	265	-	2.80	E	H	L	K
Screw										
Metric Screw Head M2.5 Hex Drive	M									
Standard Screw Head 3/32 Hex Drive	[Blank]									
Type										
Torque Limiting version*			TLC							
Standard version with Visual Indicator		V								
Standard version		[Blank]								
Finish										
BlackAnodized			A							
Or choose from Finish Table										
Length										
Length in 12.7 (.50) increments						71.12 [2.80]				
						to 325.12 [12.80]				
Mounting										
Additional Center Mounting Hole							E			
None							[Blank]			
Mounting Options - through mounting holes								H		
Or choose from Mounting Method Table										
Lock Patch										
Lock Patch									L	
None									[Blank]	
Captive Screw										K
None										[Blank]

Part Number Code Example: TLCHA265-4.80H

Series 265 Card-Lok, with torque limiting option, hard black anodized finish, 121.9 (4.80) long and standard rivet hole mounting

FINISH TABLE

CODE LETTER	SURFACE FINISH
[blank]	CHEM FILM PER MIL-DTL-5541 CLASS 3, GOLD, TYPE I
R	CHEM FILM PER MIL-DTL-5541 CLASS 3, CLEAR, TYPE II
A	BLACK ANODIZE PER MIL-A-8625 TYPE II, CLASS 2
HA	HARD BLACK ANODIZE PER MIL-A-8625 TYPE III, CLASS 2
EN	ELECTROLESS NICKEL PER MIL-C-26074 CLASS 4, GRADE B, BRIGHT

MOUNTING METHOD TABLE

CODE LETTER	METHOD
H	Ø1.73/1.85 (.068/.073) DIA. THROUGH HOLES COUNTERSINK 100° x 1.52 (.060) DEEP
T0	0-80 TAPPED HOLE
T2	2-56 TAPPED HOLE
TM2	M2 x 0.40 TAPPED HOLE
TM2.5	M2.5 x 0.45 TAPPED HOLE

*NOTE: FOR THE TORQUE LIMITING "TLC" VERSION:
THE MINIMUM LENGTH IS 96.52 (3.80)
THE FRONT MOUNTING HOLE, NEAREST TO THE SCREW,
WILL BE REPLACED WITH AN INDEXING PIN
VISUAL INDICATOR OPTION NOT AVAILABLE
MUST CLICK 3+ TIMES FOR PROPER INSTALLATION

