



Chicago Pneumatic

Operator's Manual

Printed Matter No. P145929
Date: 2019-02 Issue No. 02

Engraving pen

Valid from Serial No. 00001-99999



⚠ WARNING

To reduce risk of injury, everyone using, installing, repairing, maintaining, changing accessories on, or working near this tool **MUST** read and understand safety instructions (6159948780) before performing any such task.

DO NOT DISCARD - GIVE TO USER

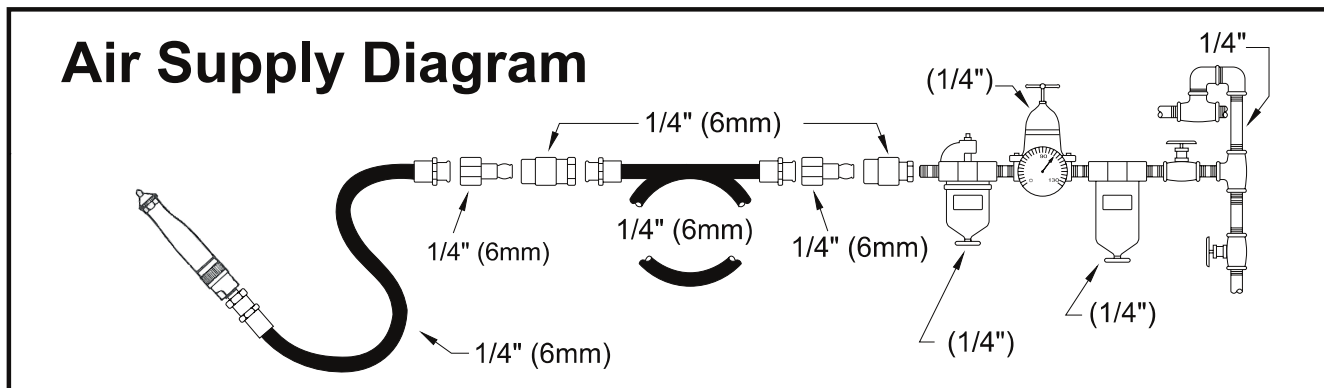


Figure 01

	CP9361
Blows per minute	13500
Chisel rivet set shank (")	0.125
Chisel rivet set shank (mm)	3
Actual air consumption (l/mn)	6
Average air consumption (cfm)	0.28
Air inlet thread size (")	1/4
Min. hose size (")	3/16
Min. hose size (mm)	5
Average air consumption (l/mn)	0.75
Sound pressure level (dB(A))	79
Sound power level (dB(A))	90
Weight (kg)	0.14
Weight (lb)	0.31
Length (")	5
Length (mm)	127



Figure 02

Technical data

	CP9361
Blows per minute	13500
Chisel rivet set shank (")	0.125
Chisel rivet set shank (mm)	3
Weight (kg)	0.14
Weight (lb)	0.31

Noise and vibration

	Sound pressure level (dB(A))	Vibration (m/s²)	Vibration uncertainty
CP9361	79	5.1	2.4

Declarations

Noise and vibration

Uncertainty 3 dB(A), in accordance with EN ISO 15744. For Sound power level, add 11 dB(A)

Vibration standard : ISO-28927-9

These declared values were obtained by laboratory type testing in accordance with the stated standards and are suitable for comparison with the declared values of other tools tested in accordance with the same standards. These declared values are not adequate for use in risk assessments and values measured in individual work places may be higher. The actual exposure values and risk of harm experienced by an individual user are unique and depend upon the way the user works, the workpiece and the workstation design, as well upon the exposure time and the physical condition of the user.

We, **CHICAGO PNEUMATIC Tool Co. LLC**, cannot be held liable for the consequences of using the declared values, instead of values reflecting the actual exposure, in an individual risk assessment in a work place situation over which we have no control.

This tool may cause hand-arm vibration syndrome if its use is not adequately managed. An EU guide to managing hand-arm vibration can be found by accessing <http://www.pneurop.eu/index.php> and selecting 'Tools' then 'Legislation'.

We recommend a programme of health surveillance to detect early symptoms which may relate to noise or vibration exposure, so that management procedures can be modified to help prevent future impairment.

- i** If this equipment is intended for fixtured applications:
The noise emission is given as a guide to the machine-builder. Noise and vibration emission data for the complete machine should be given in the instruction manual for the machine.

EU DECLARATION OF CONFORMITY

We, **CHICAGO PNEUMATIC Tool Co. LLC**, 1815 Clubhouse Road, Rock Hill, SC 29730, declare under our sole responsibility that the product (with name, type and serial number, see front page) is in conformity with the following Directive(s):
2006/42/EC

Harmonized standards applied:
EN ISO 11148-4 : 2012

Authorities can request relevant technical information from:
Pascal Roussy, R&D Manager, Ets Georges Renault, 38 rue Bobby Sands, BP10273 44818 Saint Herblain, France

Saint-Herblain,

Pascal ROUSSY

Signature of issuer



Statement of use

This product is designed for chipping, riveting, scaling, or ramming, according to its operating instructions. No other use permitted. For professional use only.

Operation

See figures on page 2.

- Fix the accessories properly to the tool.
- Connect device to a clean and dry air supply.
- See figure 02 to operate the tool.

Maintenance instructions

- **Follow local country environmental regulations for safe handling and disposal of all components.**
- Maintenance and repair work must be carried out by qualified personnel using only original spare parts. Contact the manufacturer or your nearest authorised dealer for advice on technical service or if you require spare parts.
- Always ensure that the machine is disconnected from energy source to avoid accidental operation.
- Disassemble and inspect the tool every three 3 months if the tool is used every day. Replace damaged or worn parts.
- To keep downtime to a minimum, the following service kit is recommended : **Tune-up kit**

Lubrication

Use an air line lubricator with SAE #10 oil, adjusted to two (2) drops per minute.