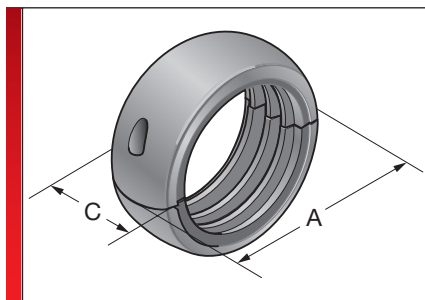


## Type PR/SV



### PRODUCT INFORMATION

The PR/SV protectors are made of specially modified polyamide 6. The material is halogen, phosphor and cadmium-free. The protectors are used for impact protection and connecting cable protection conduits and also protect against wear. The PR/SV protectors feature the following advantages:

- Flat construction
- Simple assembly with a sliding lock and optional lock screw assembly
- High tear-out strength

Specification:

- Germanischer Lloyd Type Approval

### SPECIFICATIONS

- UL listed material Mod. polyamide PA 6
- 40 – 110 °C transient / short term  
140 °C
- V0 self-extinguishing

Type	Order No.	Colour	Suitable for Murrflex	A mm	C mm	Pack qty.
<b>Standard design for cable protection conduits with standard corrugation, type EW-xx / type EWT-xx</b>						
PR/SV-EW 21	83691058	Black	M25/P21	51.60	51.20	10
PR/SV-EW 29	83691060	Black	M32/P29	57.90	51.00	10
PR/SV-EW 36	83691062	Black	M40/P36	66.00	51.50	10
PR/SV-EW 48	83691064	Black	M50/P48	78.00	49.50	10
PR/SV-EW 56	83691065	Black	NW56	90.80	51.00	5
<b>Standard design for cable protection conduits with high corrugation, type EWX-xx</b>						
PR/SV-EW 21	83691018	Grey	M25/P21	51.60	51.20	10
PR/SV-EW 29	83691020	Grey	M32/P29	57.90	51.00	10
PR/SV-EW 36	83691022	Grey	M40/P36	66.00	51.50	10
PR/SV-EW 48	83691024	Grey	M50/P48	78.00	49.50	10
PR/SV-EW 56	83691025	Grey	NW56	90.80	51.00	5
<b>Standard design for cable protection conduits with high corrugation, type EWX-xx</b>						
PR/SV-EWX 21	83691258	Black	M25/P21	51.60	51.90	10
PR/SV-EWX 29	83691260	Black	M32/P29	57.90	51.00	10
PR/SV-EWX 36	83691262	Black	M40/P36	66.00	51.50	10
PR/SV-EWX 48	83691264	Black	M50/P48	78.00	49.50	10
PR/SV-EWX 56	83691265	Black	NW56	90.80	51.00	5
<b>Standard design for cable protection conduits with high corrugation, type EWX-xx</b>						
PR/SV-EWX 21	83691218	Grey	M25/P21	51.60	51.90	10
PR/SV-EWX 29	83691220	Grey	M32/P29	57.90	51.00	10
PR/SV-EWX 36	83691222	Grey	M40/P36	66.00	51.50	10
PR/SV-EWX 48	83691224	Grey	M50/P48	78.00	49.50	10
PR/SV-EWX 56	83691225	Grey	NW56	90.80	51.00	5

## Type PR/SV

Type	Order No.	Colour	Suitable for Murrflex	A mm	C mm	Pack qty.
<b>Standard design for cable protection conduits with standard corrugation, type EW-xx and high corrugation, type EWX-xx</b>						
PR/SV-UNI 70	83691267	Black	NW70	103.50	51.50	1
PR/SV-UNI 70	83691227	Grey	NW70	103.50	51.50	5
<b>Long design for cable protection conduits with standard corrugation, type EW-xx and high corrugation, type EWX-xx</b>						
PR/SV 70L	83691067	Black	NW70	103.50	97.00	1
PR/SV 70L	83691069	Red	NW70	103.50	97.00	1

### MATERIAL PROPERTIES



UL listed material Mod. polyamide PA 6

### THERMAL PROPERTIES



**Temperature / temperature range**  
-40 – 110 °C transient / short term 140 °C

### FIRE BEHAVIOUR



**Fire classification**  
V0 self-extinguishing

### APPROVALS AND OPERATING PERMITS



**GL approval**



**ROBI approval**

### TECHNICAL INFORMATION



**HF Halogen-free**

### CONFORMITY



**RoHS (EC Directive 202/95/EC)**

### GENERAL INFORMATION



**Made in Germany**

All details given in our sales material prospectuses and catalogues as well as the information available online are based on our current knowledge of the products described.

The electronic data and files made available by Murrplastik, particularly CAD files are based on our current knowledge of the product described.

A legally binding assurance of certain properties or the suitability for a certain purpose can not be determined from this information.

All information with respect to the chemical and physical properties of Murrplastik products as well as application advice given verbally, in writing or by tests, is given to the best of our knowledge.

This does not free the purchaser of carrying out their own inspections and tests in order to determine the suitability of a product for a specific purpose.

Murrplastik accepts no responsibility for the available information being up-to-date, correct or complete. Neither do we accept responsibility for the quality of this information.

Murrplastik accepts no liability for damage caused as a result of using our products.

Murrplastik reserves the right to make technical changes and improvements through constant further development of products and services.

Our General Terms and Conditions apply.

© Murrplastik Systemtechnik GmbH • proID\_96807~20170526~890283~suv\_prsv