

**Excelon 74 Pressure Regulator**  
**3/8", 1/2", 3/4" Port Sizes**

- Excelon design allows in-line or modular installation
- Full flow gauge ports
- Balanced valve design minimizes effect of variation in the inlet pressure on the outlet pressure
- Standard relieving models allow reduction of downstream pressure when the system is dead-ended
- Optional reverse flow models available for use downstream of directional control valves
- Modular installations with Excelon 72, 73, and 74 series can be made to suit particular applications



**Ordering Information.** Models listed include uni-directional flow, PTF threads, knob adjustment, relieving diaphragm, 5 to 150 psig (0.3 to 10 bar) outlet pressure adjustment range\*, with gauge.

Port Size	Model	Flow <sup>†</sup> scfm (dm <sup>3</sup> /s)	Weight lb (kg)
3/8"	R74G-3AK-RMG	208 (98)	1.80 (0.82)
1/2"	R74G-4AK-RMG	220 (105)	1.77 (0.80)
3/4"	R74G-6AK-RMG	220 (105)	1.73 (0.78)

† Typical flow with 150 psig (10 bar) inlet pressure, 90 psig (6.3 bar) set pressure and a droop of 15 psig (1 bar) from set.

**Alternative Models**

R 7 4 ★ - ★ ★ ★ - ★ ★ ★

Flow Type	Substitute
Uni-directional	G
Reverse	R

Port Size	Substitute
3/8"	3
1/2"	4
3/4"	6

Threads	Substitute
PTF	A
ISO Rc taper	B
ISO G parallel	G

Adjustment	Substitute
Knob	K
T-bar	T

Gauge	Substitute
With	G
Without	N

Outlet Pressure Adjustment Range*	Substitute
5 to 60 psig (0.3 to 4 bar)	F
5 to 150 psig (0.3 to 10 bar)	M
10 to 250 psig (0.7 to 17 bar)**	S

Diaphragm	Substitute
Relieving	R
Non relieving	N

\* Outlet pressure can be adjusted to pressures in excess of, and less than, those specified. Do not use these units to control pressures outside of the specified ranges.

\*\* Units with 250 psig (17 bar) outlet pressure range are available only with the T-bar adjustment; therefore substitute **T** at the 7th position and **S** at the 9th position.

**See Section ALE-24 for Accessories**



## Technical Data

Fluid: Compressed air

Maximum pressure: 300 psig (20 bar)

Operating temperature\*: -30° to 175°F (-34° to 80°C)

\*Air supply must be dry enough to avoid ice formation at temperatures below 35°F (2°C).

Typical flow with 150 psig (10 bar) inlet pressure, 90 psig (6.3 bar) set pressure and a droop of 15 psig (1 bar) from set: 220 scfm (105 dm<sup>3</sup>/s)

Gauge ports:

1/4 PTF with PTF main ports

Rc1/4 with ISO Rc main ports

Rc1/8 with ISO G main ports

Materials:

Body: Aluminum

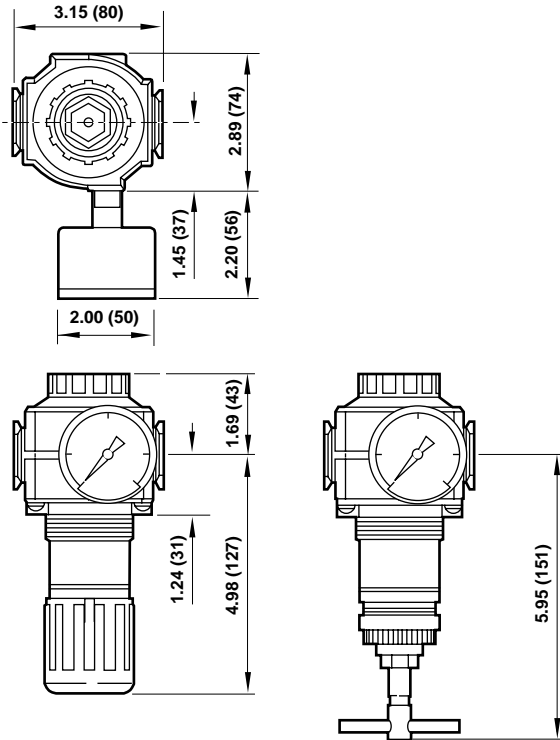
Bonnet : Aluminum

Valve: Brass

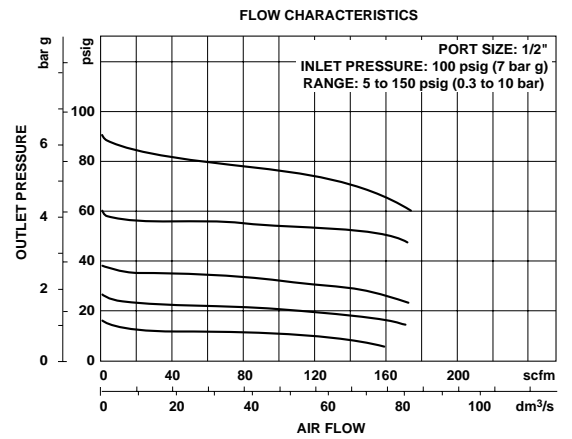
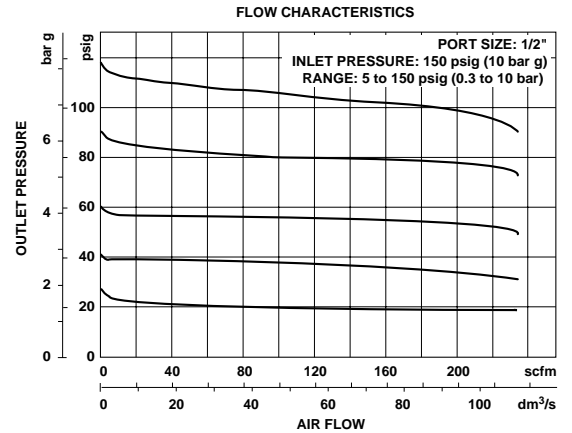
Elastomers: Nitrile

Bottom plug: Acetal

All Dimensions in Inches (mm)



## Typical Performance Characteristics



## Service Kits

Item	Type	Part Number
Service kit	Relieving	4381-700
	Non relieving	4381-701

Service kit includes diaphragm assembly, valve assembly, valve spring, bottom plug o-ring.

Panel mounting hole diameter: 2.06" (52 mm)

Panel thickness: 0.06" to 0.25" (2 to 6 mm)

## ISO Symbols

