

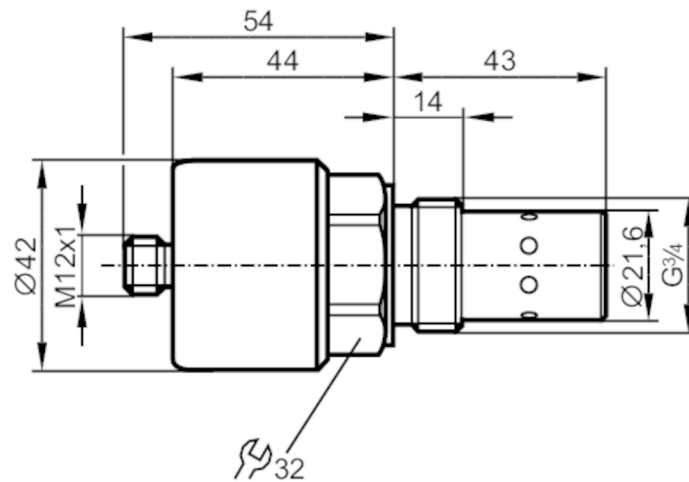
# LDH100



## Oil humidity sensor

OIL HUMIDITY SENSOR

For 8-wire cordsets the core colors are not standardized.  
Please note the wiring of the sensor and the cordsets (see data sheet).



### Product characteristics

Number of inputs and outputs	Number of analog outputs: 2
Process connection	G 3/4

### Application

Media	mineral oils; synthetic esters; biodegradable oils
Tank pressure [bar]	50

### Oil

Medium temperature [°C]	-40...105
-------------------------	-----------

### Electrical data

Operating voltage [V]	9...33 DC
Current consumption [mA]	< 25
Protection class	III
Reverse polarity protection	no

### Inputs / outputs

Number of inputs and outputs	Number of analog outputs: 2
------------------------------	-----------------------------

### Outputs

Total number of outputs	2
Number of analog outputs	2
Analog current output [mA]	4...20
Max. load [Ω]	(U <sub>b</sub> - 8) x 25
Resolution of analog output	φ: 1% / T: 0.1 K

### Measuring/setting range

Temperature monitoring	
Measuring range [°C]	-20...120

# LDH100

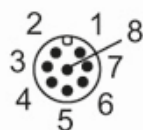


## Oil humidity sensor

OIL HUMIDITY SENSOR

Accuracy / deviations		
Accuracy	$\varphi: \pm 3 \% / T: \pm 2 \%$	
Reaction times		
Response time [s]	1.3	
Operating conditions		
Ambient temperature [°C]	-40...85	
Storage temperature [°C]	-40...85	
Max. relative air humidity [%]	100	
Protection	IP 67	
Tests / approvals		
EMC	EN 13309	
	IEC 61000-6-2	: 2005
	IEC 61000-6-4	: 2006 + AMD1: 2010
Vibration resistance	test following DIN EN 60068-2-6	
MTTF [years]	90	
Mechanical data		
Weight [g]	176.5	
Materials (wetted parts)	aluminum; HNBR; polyurethane resin; epoxy resin	
Process connection	G 3/4	
Remarks		
Remarks	Accuracy values expressed in percent refer to the measuring span	
Pack quantity	1 pcs.	
Electrical connection		

Connector: 1 x M12



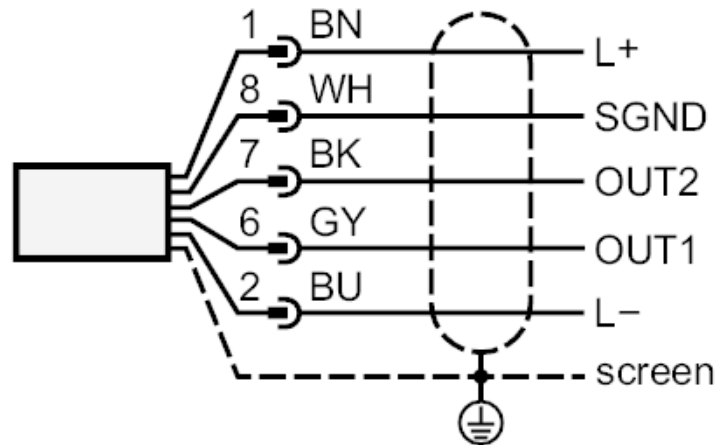
# LDH100



## Oil humidity sensor

OIL HUMIDITY SENSOR

### Connection



SGND: signal ground  
OUT1: oil temperature  
OUT2: relative humidity