

FEATURES

- Durable reinforced glass filled nylon
- Hollowed centre profile
- Moulded 5.3 mm diameter threaded bore
- M6 hexagon bolts inserted from above for easy installation
- Black cover caps included for a tidy finish

RS PRO Matte Black Plastic Drawer Handle, 141mm

RS Stock No.: 456-501



RS Professionally Approved Products bring to you professional quality parts across all product categories. Our product range has been tested by engineers and provides a comparable quality to the leading brands without paying a premium price.

Product Description

From RS Pro a pair of high-quality thermoplastic drawer handles also known as 'pull handles' or 'bridge handles'. These drawer handles are made from robust matte black reinforced glass filled nylon and have a hollowed centre profile. The handles feature a moulded, threaded bore with a 5.3 mm diameter. M6 hexagonal bolts are inserted from above into the threaded bore to provide a secure fitting to the drawer or door. The pre-threaded bores also make these drawer handles simple to install. Black cover caps are supplied with the handles to conceal the fixing heads for a neat finish

General Specifications

Material	Plastic
Finish	Matte
Colour	Black
Application	Drawer handles can be used on both cabinet draws and cupboard doors

Mechanical Specifications

Length	141mm
Height	28mm
Width	24mm
Fixing Centres	120mm
Thread Type	5.3mm/M6

Approvals

Compliance/Certifications	2011/65/EU and 2015/863
----------------------------------	-------------------------

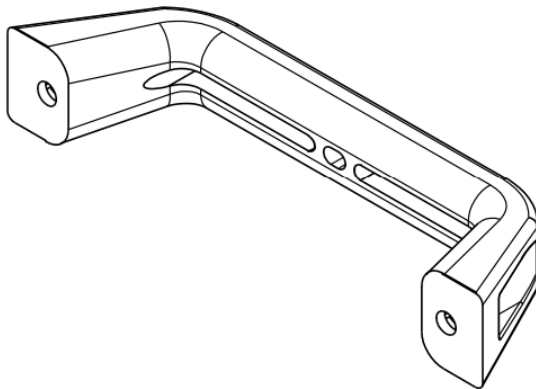
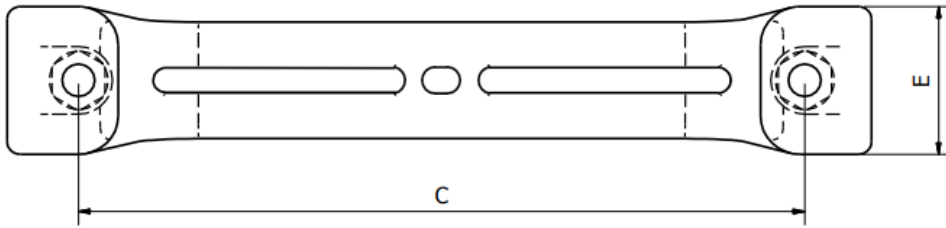


TABLE						
RS Part No	A	B	C	D	E	Bore Size
456501	141	38	120	26	24	5.3

