

2.4 GHz-2.5 GHz / 5.1 GHz-5.8 GHz, 6/6 dBi WiFi 6 8x8 MIMO Flat Panel Antenna - 8 x RP-SMA Male Connector on 1 meter RG58 pigtail



## HG2458-06DP-8RSP

### Features

- Reverse Polarity SMA (RP-SMA) Male Connector
- Outdoor Rated Panel Antenna
- 4 x Vertical + 4 x Horizontal Polarization
- 8x8 MIMO Functionality
- 2.4 GHz, 5 GHz WiFi Bands
- 6 dBi gain

### Applications

- Infotainment systems, Routers, WiFi hotspots, HD video transmission, Gateways, Dash cameras, Public transportation
- WiFi 6 (802.11ax) networks
- Connected cars or self-driving cars, Fleet management, Logistics
- IoT, Zigbee, Bluetooth, WiFi

### Description

The HG2458-06DP-8RSP WiFi 6 8x8 MIMO Flat Panel Antenna from L-com is a high performance directional antenna designed for the 2400 MHz to 5800 MHz bands and is available to ship same day. It features 8 (eight) pigtails terminated with Reverse Polarity SMA (RP-SMA) connectors for 8x8 MIMO applications. It is a UV protected, outdoor rated antenna with 60 degree horizontal half power beamwidth. The HG2458-06DP-8RSP is ideally suited for WiFi Hotspots (IEEE 802.11ax/ac/n/b/g) as well as IoT, Zigbee and Bluetooth.

The L-com high performance flat panel HG2458-06DP-8RSP is a rugged antenna providing broad coverage, low latency, increased network capacity and 6 dBi gain. This 8 port RPSMA Plug flat panel directional antenna is suitable for commercial radios and access points in public and private networks that are equipped with RPSMA connectors. L-com's HG2458-06DP-8RSP supports 2.4 and 5 GHz bands.

This WiFi 6 HG2458-06DP-8RSP 60 degree flat panel antenna with 8 RP-SMA male connectors, as well as our wide selection of superior quality RF parts, ships same day. Contact our knowledgeable and friendly technical support and sales staff for your answers on antennas or other L-com products.

### Configuration

Design	Flat Panel
Band Type	Dual
Radiation Pattern	Directional
Polarization	Vertical and Horizontal
Cable Type	RG58
Connector Type	SMA Male Reverse Polarity

### Electrical Specifications

Description	Minimum	Typical	Maximum	Units
Frequency Range	2.4		5.85	GHz
Input VSWR			2:1	
Impedance		50		Ohms
Port to Port Isolation		30		dB
Input Power			50	Watts

Click the following link (or enter part number in "SEARCH" on website) to obtain additional part information including price, inventory and certifications: [2.4 GHz-2.5 GHz / 5.1 GHz-5.8 GHz, 6/6 dBi WiFi 6 8x8 MIMO Flat Panel Antenna - 8 x RP-SMA Male Connector on 1 meter RG58 pigtail](#)

2.4 GHz-2.5 GHz / 5.1 GHz-5.8 GHz, 6/6 dBi WiFi 6 8x8 MIMO Flat Panel Antenna - 8 x RP-SMA Male Connector on 1 meter RG58 pigtail



## HG2458-06DP-8RSP

### Specifications by Band

Description	Band 1	Band 2	Band 3	Band 4	Band 5	Units
Range	2,400-2,500	5,150-5,850				MHz
Gain	6	6				dBi
Horizontal HPBW	65	55				Degrees
Vertical HPBW	65	60				Degrees
Front to Back Ratio	20	20				dB

### Mechanical Specifications

Radome Material	UV Resistant ABS
<b>Size</b>	
Length	17.7 in [449.58 mm]
Width	17.7 in [449.58 mm]
Height	1.6 in [40.64 mm]
Mounting Mast Diameter	1.57 to 2.36 in [39.88 to 59.94 mm]
Weight	4.62 lbs [2.1 kg]

### Environmental Specifications

<b>Temperature</b>	
Operating Range	-40 to +70 deg C
Wind Survivability	100 MPH [160.93 KPH]
Humidity	5 to 95 %

**Compliance Certifications** (see [product page](#) for current document)

### Plotted and Other Data

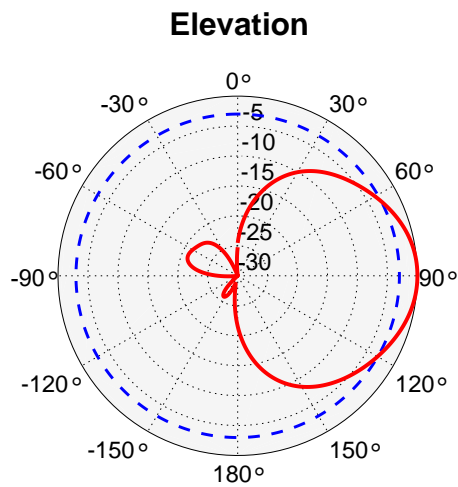
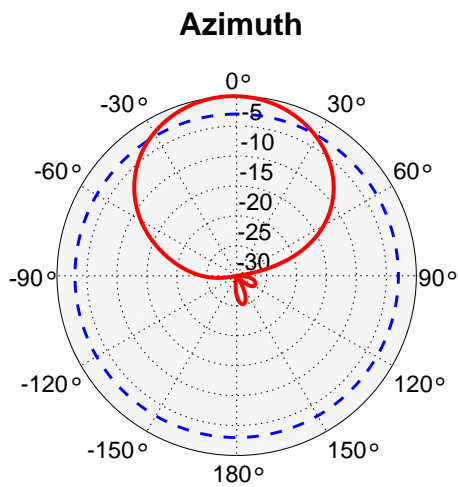
Notes:

2.4 GHz-2.5 GHz / 5.1 GHz-5.8 GHz, 6/6 dBi WiFi 6 8x8 MIMO Flat  
Panel Antenna - 8 x RP-SMA Male Connector on 1 meter RG58 pigtail



**HG2458-06DP-8RSP**

**Radiation Patterns of 2450 MHz**

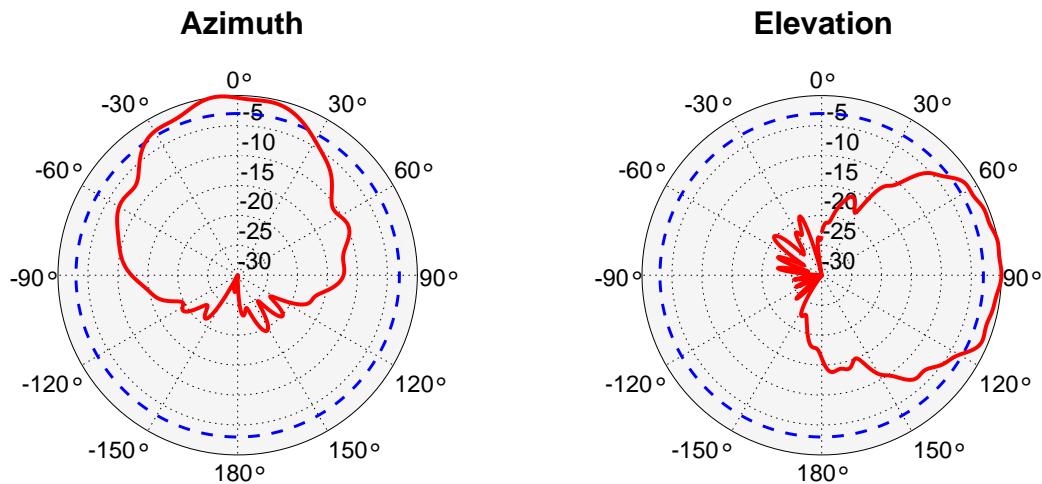


2.4 GHz-2.5 GHz / 5.1 GHz-5.8 GHz, 6/6 dBi WiFi 6 8x8 MIMO Flat Panel Antenna - 8 x RP-SMA Male Connector on 1 meter RG58 pigtail



**HG2458-06DP-8RSP**

**Radiation Patterns of 5550 MHz**

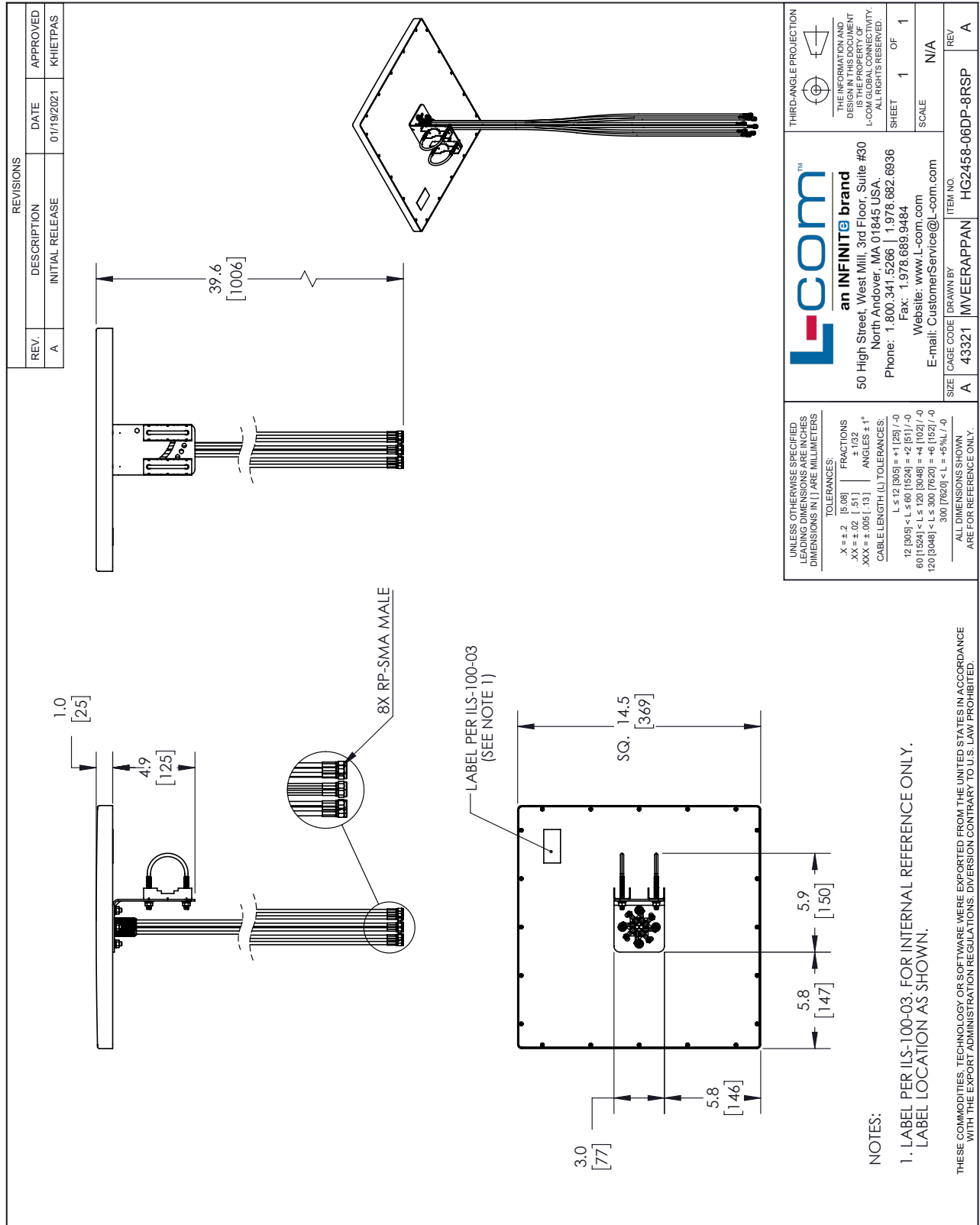


2.4 GHz-2.5 GHz / 5.1 GHz-5.8 GHz, 6/6 dBi WiFi 6 8x8 MIMO Flat Panel Antenna - 8 x RP-SMA Male Connector on 1 meter RG58 pigtail from L-com has same day shipment for domestic and International orders. Our portfolio includes coaxial cable assemblies, connectors, adapters and custom products as well as lightning and surge protectors, NEMA rated enclosures, and an RF product line which includes antennas, amplifiers, passive, and active components.

The information contained within this document is accurate to the best of our knowledge and representative of the part described herein. It may be necessary to make modifications to the part and/or the documentation of the part in order to impliment improvements. L-com reserves the right to make such changes as required. Unless otherwise stated, all specifications are nominal. L-com does not make any representation or warranty regarding the suitability of the part described herein for any particular purpose, and L-com does not assume liability arising out of the use of any part or document.

2.4 GHz-2.5 GHz / 5.1 GHz-5.8 GHz, 6/6 dBi WiFi 6 8x8 MIMO Flat Panel  
 Antenna - 8 x RP-SMA Male Connector on 1 meter RG58 pigtail

L-com CAD Drawing



UNLESS OTHERWISE SPECIFIED LEADING DIMENSIONS ARE IN INCHES DIMENSIONS IN [ ] ARE MILLIMETERS

TOLERANCES:  
 .X = ±.2 [5.08] FRACTIONS ± 1/32  
 .XX = ±.02 [ .51 ] ANGLES ± 1°  
 .XXX = ±.005 [ .13 ]

CABLE LENGTH (L) TOLERANCES:  
 L ≤ 12 [305] = ±1 [25] / -0  
 12 [305] < L ≤ 60 [1524] = ±2 [51] / -0  
 60 [1524] < L ≤ 120 [3048] = ±4 [102] / -0  
 120 [3048] < L ≤ 300 [7620] = ±6 [152] / -0  
 300 [7620] < L = +5% / -0

ALL DIMENSIONS SHOWN ARE FOR REFERENCE ONLY.

THIRD-ANGLE PROJECTION

THE INFORMATION AND DIMENSIONS SHOWN ARE THE PROPERTY OF L-COM GLOBAL CONNECTIVITY. ALL RIGHTS RESERVED.  
 SHEET 1 OF 1  
 SCALE N/A

**L-com™**  
 an INFINITE brand  
 50 High Street, West Mill, 3rd Floor, Suite #30  
 North Andover, MA 01845, USA.  
 Phone: 1.800.341.5266 | 1.978.682.6936  
 Fax: 1.978.689.9484  
 Website: www.L-com.com  
 E-mail: CustomerService@L-com.com

ITEM NO. HG2458-06DP-8RSP  
 CAGE CODE DRAWN BY 43321 MVEERAPPAN  
 SIZE A

NOTES:  
 1. LABEL PER ILS-100-03, FOR INTERNAL REFERENCE ONLY.  
 LABEL LOCATION AS SHOWN.

THESE COMMODITIES, TECHNOLOGY OR SOFTWARE WERE EXPORTED FROM THE UNITED STATES IN ACCORDANCE WITH THE EXPORT ADMINISTRATION REGULATIONS, DIVISION CONTRARY TO U.S. LAW PROHIBITED.

T-Rev.D