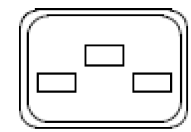
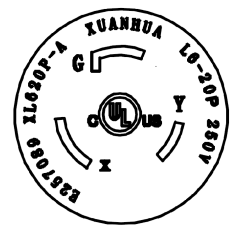
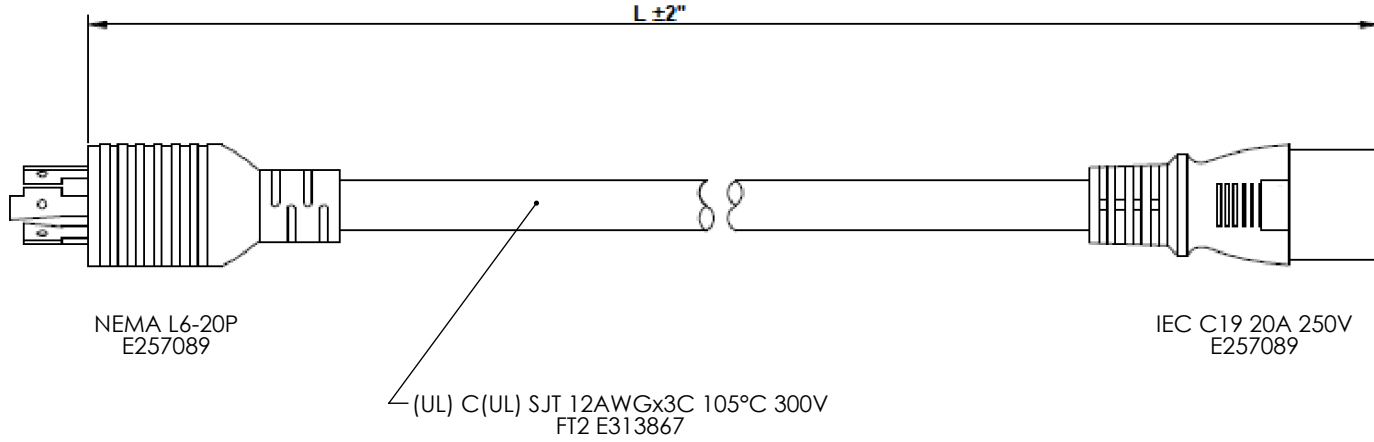


THE INFORMATION CONTAINED IN THIS DRAWING IS THE SOLE PROPERTY OF L-COM, INC. ANY REPRODUCTION IN PART OR WHOLE WITHOUT THE WRITTEN PERMISSION OF L-COM, INC. IS PROHIBITED.


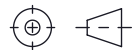
REVISIONS			
REV	DESCRIPTION	DATE	APPROVED
A	INITIAL RELEASE	10/13/2020	MBLACKWOOD



PART NUMBER	L FEET	L METERS
PPA00019-3FT	3	0.91
PPA00019-6FT	6	1.83
PPA00019-8FT	8	2.44
PPA00019-10FT	10	3.05

NOTES:

1. APPROVALS: UL, cUL.
2. RATING: 20A/250V.
3. COLOR CODING: BLACK, WHITE, GREEN.
4. CABLE ASSEMBLY SHALL BE INDIVIDUALLY PACKAGED IN ACCORDANCE WITH SPEC. PS-0031.

UNLESS OTHERWISE SPECIFIED, DIMENSIONS ARE IN INCHES [mm] OVERALL CABLE LENGTH TOLERANCE: ≤12 [305] = +1 [25] / -0 >12 [305] ≤60 [1524] = +2 [51] / -0 >60 [1524] ≤120 [3048] = +4 [102] / -0 >120 [3048] ≤300 [7620] = +6 [152] / -0 >300 [7620] = +5% / -0 ALL OTHER DIMENSIONAL TOLERANCES: .X = ± .2 [5] FRACTIONS ± 1/32 .XX = ± .02 [.5] ANGLES ± 1° .XXX = ± .005 [.13]	APPROVALS DRAWN BY: DZINN CHECKED BY: DFRISIELLO APPROVED BY: MBLACKWOOD	DATE 10/13/2020 10/13/2020 10/13/2020	 50 High Street, West Mill, North Andover, MA 01845 USA. Phone: 1.800.341.5266 1.978.682.6936
	CONFIGURATION DETAILS OF UNDIMENSIONED FEATURES MAY VARY COLOR VARIATIONS MAY OCCUR	CATEGORY POWER PRODUCTS	
THIRD-ANGLE PROJECTION 	SIZE A CAGE CODE 43321 SCALE: NONE	ITEM NO. PPA00019 CAD FILE: PPA00019.SLDDRW	REV. A SHEET 1 OF 1