

RAFIX 30 FS⁺, signal indicator, round collar, bezel green



fields of application

- › Measurement-control-regulation
- › Electrical engineering
- › Mechanical and system engineering
- › Signalling systems
- › Vehicle construction
- › Industrial robots

special features

- › Signal indicator
- › Illumination with SMT LED
- › Low installation depth 15.7 mm (PCB) or 33.3 mm (QC with LED clip)
- › Connection types: printed circuit board connection (PCB) or flat quick-connect terminal (QC)
- › Degree of protection: IP 65 front side



description

RAFIX control devices are defined at RAFI as modular elements, consisting of an actuating element, if necessary a coupling and an individual contact or lighting unit.

Actuating elements (such as pushbuttons, emergency stop actuators, etc.) have the intended tactility, reset and function only when assembled with the appropriate switching elements.

Flat signal indicator with stainless steel bezel.

technical data

› general

| | |
|---|---------------------------|
| Scope of delivery | Adapter and threaded ring |
| Bezel color | green |
| Property of bezel / mushroom | translucent |
| Front ring color | stainless steel |
| Collar shape | round |
| Operating temperature, min. | -25 °C |
| Storage temperature, min. | -40 °C |
| Operating temperature, max. | 70 °C |
| Storage temperature, max. | 80 °C |
| illuminated | Yes |
| Packaging | Box |
| Packaging unit | 10 pcs. |
| net weight | 16.6 g |
| Degree of protection, front side, according to DIN EN 60529 | IP65 |

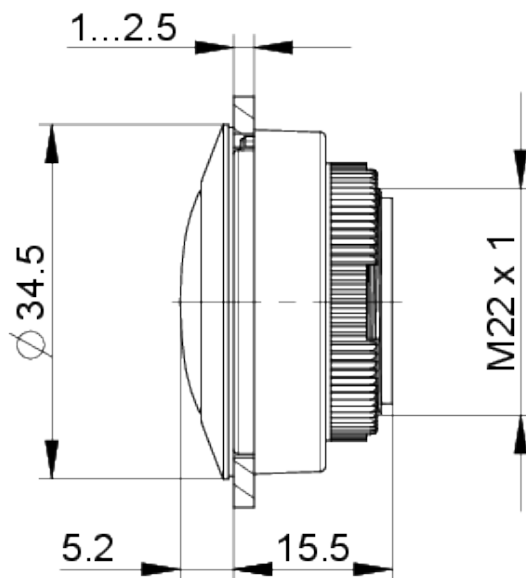
direct links

- › [RAFI eCatalog](#)

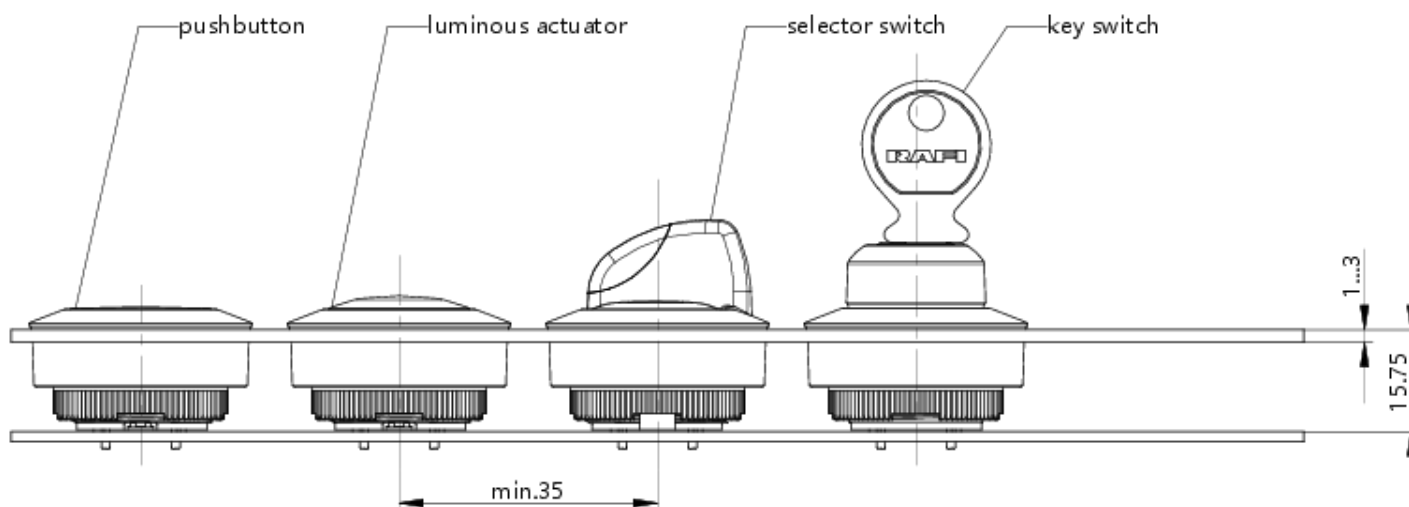
| | |
|---|--|
| UL Enclosure Type Rating front | type 1 |
| side | type 4X |
| Environment resistance | IEC 60068-2-14 IEC 60068-2-30 IEC 60068-2-33 IEC 60068-2-78 |
| Salt-spray resistance according to standard | IEC 60068-2-11 |
| MOQ order | 10 pcs. |
| RoHS compliant | Yes |
| REACH compliant | Yes |
| > mounting diameters | |
| Mounting hole | 30.3 mm |
| Mounting depth | 15.7 mm |
| Installation height | 5.25 mm |
| Grid, min. | 35 x 35 mm |
| Outside dimension, length | 34.5 mm |
| Outside dimension, width | 34.5 mm |
| Collar dimension | ø 34,5 mm |
| > mechanical data | |
| Fixing | Threaded ring |
| Threaded ring torque, max. | 1.2 Nm |

drawings

Dimensioned drawing



System drawing



Mounting hole drawing

