

# GUEST®

# GUEST®

MARINE/AUTO/POWERSPORTS/TRACTORS

## CHARGEPRO™ 1.5

### 1.5 Amp Battery Maintainer & Charger



Ignition\* & Polarity Protected  
\*Ring Terminal Cable Required

For 1 **12V** Battery  
Flooded, Gel & AGM  
lead acid batteries

 IP65  
Weatherproof

**3 Year**  
Warranty

 Energy Saving  
Technology

## Owner's Manual and Installation Guide

| Model         | Part No. | Volts | Amps | No. Bat | Auto Maintain                                 | Cables | Size               | AC In                |
|---------------|----------|-------|------|---------|---|--------|--------------------|----------------------|
| ChargePro 1.5 | 2701A    | 12VDC | 1.5  | 1       | Monitored float range<br>12.9 VDC to 14.1 VDC | 6'     | 5" x 5.81" x 1.97" | 120 +/-<br>10% 60 Hz |

### IMPORTANT NOTICE

Please save and read all safety, operating and installation instructions before installing or applying AC power to your Guest® ChargePro™ 1.5 Amp Dual Use Maintainer and Charger.

**Your Satisfaction is Important to Us!**

**Do not return this product to retailer or dealer for any service or warranty requirements.**  
Please call our Customer Care Department at 800-824-0524 from 8:30 am to 5pm Eastern Time for any warranty, service or installation assistance.  
Thank you - Guest® Customer Care

For use with 12 Volt Flooded, Gel and AGM (Absorbed Glass Mat) Lead Acid Batteries. Not for 6 Volt Batteries. Not for 4D and 8D large capacity batteries.

Model Number: \_\_\_\_\_ Serial Number: \_\_\_\_\_ Date of Purchase: \_\_\_\_\_

Guest® ChargePro™  
Factory Service and Technical Support  
15 Dartmouth Drive, STE 101  
Auburn, New Hampshire 03032  
603-433-4440  
1-800-824-0524  
www.chargepro.com

Specifications subject to change without notice

Conforms to UL STD. 1236  
Certified to CSA STD. C22.2 No. 107.2  
FCC Class B

Design and Constructed to ABYC A-31

CEC Listed



01/17 A

Made in China

|                                  |             |
|----------------------------------|-------------|
| Introduction...                  | page 1      |
| Important Safety Instructions... | pages 2-9   |
| Product Features...              | page 10     |
| General Operation...             | pages 11    |
| Portable Setup...                | pages 12    |
| Typical Wiring...                | pages 13    |
| Installation...                  | pages 14-15 |
| Operation...                     | page 16     |
| Maintenance...                   | page 17     |
| Trouble Shooting...              | page 18     |
| Customer Service & Warranty...   | page 19     |

**IMPORTANT NOTICE: FCC CLASS B PART 15 NOTIFICATION**

The ChargePro™ 1.5 Amp Dual Use Maintainer and Charger has been designed and tested to comply with FCC Class B part 15. These regulations are to provide adequate protection against harmful interference while operated in a commercial application. If in a residential setting, you are encountering interference with TV and radio reception, simply remove AC power from the ChargePro™ 1.5 unit to confirm if it is causing interference. End user can explore the following to minimize interference:

- 1) Choose a different AC circuit to power your ChargePro™ 1.5 Amp Dual Use Maintainer and Charger.
- 2) Make sure your outlet is properly grounded.
- 3) Re-position receiving antenna.
- 4) Purchase a separate AC line filter.
- 5) Relocate the ChargePro™ 1.5 so that it is at the furthest point from home receiving equipment, TV, radio, etc.



## Introduction

Our newest generation ChargePro™ 1.5 Amp Dual Use Maintainer and Charger is an innovative product designed for maximum utility. Concealed mounting holes allow the ChargePro™ 1.5 to be installed on-board or to be used as a portable, with a rear die cut foam resting pad. Ring terminal and DC clamp quick connect cable assemblies included.

Our marine grade design is weatherproof, water resistant to IP 65 and can be used in all fresh and salt water outdoor and indoor applications as needed.

Designed to keep 12 volt batteries fully charged during short or long term storage periods, ChargePro 1.5's Energy Saver mode will monitor and auto maintain a battery when needed to maintain a full state of charge. ChargePro™ 1.5 significantly reduces AC power consumption, lowers operating costs and maximizes reserve power performance.

**Ideal for personal watercraft, recreational ski and wake boats, ATV's, autos, tractors and more.**

### Guest's ChargePro™ 1.5 Features Include:

- Fully automatic energy saving design
- Dual-use design, easily configures for on-board or portable use
- Concealed mounting holes & die cut foam resting pad for portable use
- Expanded LED display for Power, Charging and Auto Maintain status
- Maintain 12 Volt Flooded, Gel & AGM lead acid batteries
- Quick connect DC clamp and ring terminal cable assemblies
- Weatherproof and water resistant to IP65
- Built-in safety with reverse polarity, short circuit, temperature and ignition protection
- Pre-wired for easy installation
- 3 year warranty

## Important Safety Instructions

### SAVE THESE INSTRUCTIONS

This manual contains important safety and operating instructions for the ChargePro™ 1.5 Amp Dual Use Battery Maintainer and Charger.

**⚠ CAUTION** - To reduce the risk of injury, connect to only 12V Flooded, Gel and AGM lead acid batteries. Other types of batteries may burst, causing personal injury.

Before connecting your batteries or applying AC power, read all instructions and cautionary markings on the ChargePro™ 1.5, cables, and batteries.

### **⚠ WARNING**

To reduce the risk of injury to user or property; the user must read and understand the instruction manual and all warnings on the ChargePro™ 1.5 and batteries before use.

### **⚠ WARNING**

1. WARNING - RISK OF EXPLOSIVE GASES.
  - a. WORKING IN THE VICINITY OF A LEAD-ACID BATTERY IS DANGEROUS. BATTERIES GENERATE EXPLOSIVE GASES DURING NORMAL BATTERY OPERATION. FOR THIS REASON, IT IS OF UTMOST IMPORTANCE THAT YOU FOLLOW THE INSTRUCTIONS EACH TIME YOU USE THE CHARGEPRO™1.5.
  - b. To reduce risk of battery explosion, follow these instructions and those marked on the battery.
  - c. Connect and disconnect battery leads only when supply cord is disconnected.
  - d. For a battery installed in a vehicle, first connect the POSITIVE (RED) Clip of the ChargePro™ 1.5 to the POSITIVE (POS,P,+) ungrounded post of the battery. Connect NEGATIVE (BLACK) clip to vehicle chassis or engine block away from battery. Do not connect clip to carburetor, fuel lines, or sheet-metal body parts. Connect to a heavy gauge metal part of the frame or engine block.
  - e. Do not smoke, strike a match or cause a spark in vicinity of battery.
  - f. Use in well-ventilated area.
  - g. Refer to Instruction Manual for further details.
2. Use the ChargePro™ 1.5 for maintaining and charging a 12V LEAD-ACID battery only. It is not intended to supply power to an extra-low-voltage electrical system or to charge dry-cell batteries. Charging dry-cell batteries may burst and cause injury to persons and property.
3. Use of an attachment not recommended or sold by Guest® may result in a risk of fire, electric shock, or injury to persons.
4. To reduce risk of damage to electric plug and cord, pull by plug rather than cord when disconnecting the ChargePro™ 1.5 Maintainer and Charger.

## Important Safety Instructions

5. Extension cords:
  - a. Pins on the plug of the extension cord are the same number, size and shape as those on the plug of the ChargePro™ 1.5.
  - b. Use only a properly wired extension cord in good electrical condition.
  - c. Use an industrial grade / heavy duty UL or CSA approved and grounded extension cord. Check extension cord before use for damage, bent prongs, and cuts. Replace if damaged. Always make your extension cord connection on the charger side first. **After connecting the extension cord to the ChargePro™ 1.5 proceed to plug the extension cord into a nearby 120 VAC GFCI protected (Ground Fault Circuit Interrupt) outlet.** Below are manufacturer recommendations for the right size UL or CSA Approved grounded extension cord.
    - i. Up to 50 feet in length use a 3 conductor 18 AWG extension cord.
    - ii. 50 to 100 feet in length use a 3 conductor 16 AWG extension cord.
    - iii. 100 to 150 feet in length use a 3 conductor 14 AWG extension cord.
6. Do not operate the ChargePro™ 1.5 if any protective AC and DC cable insulation, DC fuse holders or ring terminals have been damaged or compromised. Contact Guest® immediately to return the ChargePro™ 1.5 for service and repair.
7. Do not operate the ChargePro™ 1.5 if it has received a sharp blow, direct hit of force, been dropped or otherwise damaged in any way. Contact Guest® immediately to return the ChargePro™ 1.5 for service and repair.
8. Do not disassemble the ChargePro™ 1.5. Incorrect reassembly may result in a risk of electric shock or fire. If service or repair is required please call Guest® customer service at 800-824-0524 between 8:30am-5pm (EST) Monday through Friday, or via [www.chargepro.com](http://www.chargepro.com). Unauthorized attempts to service, repair or modify may result in a risk of electrical shock, fire or explosion and will void warranty.
9. To reduce risk of electric shock, unplug the ChargePro™ 1.5 from outlet before attempting any maintenance or cleaning.
10. Do not expose AC power cord connection to rain or snow.

## Important Safety Instructions

### 11. GROUNDING AND AC POWER CORD CONNECTION INSTRUCTIONS

- a. The ChargePro™ 1.5 should be grounded to reduce risk of electric shock. ChargePro™ 1.5 is equipped with an electric cord having in equipment-grounding conductor and a grounding plug. The plug must be plugged into a **120 VAC GFCI protected (Ground Fault Circuit Interrupt) outlet** that is properly installed and grounded in accordance with all local codes and ordinances.

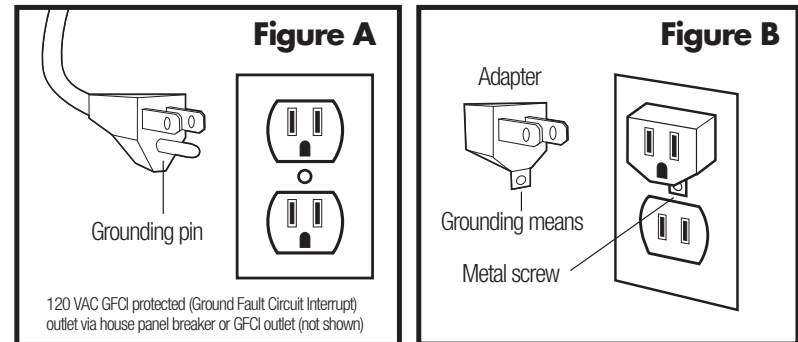
#### DANGER

Never alter AC cord or plug provided - If it will not fit outlet, have proper outlet installed by a qualified electrician. Improper connection can result in a risk of an electric shock.

- b. The ChargePro™ 1.5 is for use on a nominal 120-volt circuit, and has a grounding plug that looks like the plug illustrated in figure A. A temporary adapter, which looks like the adapter illustrated in figure B may be used to connect this plug to a two-pole receptacle as shown in figure B if a properly grounded outlet is not available. **The temporary adapter should be used only until a properly grounded GFCI protected outlet can be installed by a qualified electrician.**

#### DANGER

Before using adapter as illustrated, be certain that center screw of outlet plate is grounded. The green-colored rigid ear or leg extending from adapter must be connected to a properly grounded outlet - make certain it is grounded. If necessary, replace original outlet cover plate screw with a longer screw that will secure adapter ear or lug to outlet cover plate and make ground connection to grounded GFCI protected outlet.



Use of an adapter is not allowed in Canada. If a grounding type receptacle is not available, do not use this appliance until the proper GFCI protected outlet is installed by a qualified electrician.

## Important Safety Instructions

### 12. PERSONAL PRECAUTIONS

#### CAUTION

- a. Consider having someone close enough or within the range of your voice to come to your aid when you work near a lead-acid battery.
- b. Have plenty of soap, water and baking soda nearby in case battery acid comes in contact with skin, clothes or eyes.
- c. Wear complete eye protection, hand and clothing protection. Avoid touching eyes while working near a battery.
- d. If battery acid contacts skin or clothing, wash immediately with soap and water. If acid enters eye, immediately flood eye with running cold water for at least 15 minutes and get medical attention immediately.

If electrolyte is taken internally, drink large quantities of water or milk. DO NOT induce vomiting. Get prompt medical attention.

- e. NEVER smoke, strike a match or cause a spark or flame in vicinity of battery or engine.
- f. Be extra cautious to reduce risk of dropping a metal tool onto the battery. It might spark or short-circuit a battery or other electrical hardware which may cause an explosion or fire.
- g. Remove all personal metal items such as rings, bracelets, necklaces, watches, and jewelry when working near a battery. A battery can produce a short circuit current high enough to weld a ring or any other metal, causing serious burns.
- h. Use the ChargePro™ 1.5 for maintaining and charging a 12V LEAD-ACID battery only. It is not intended to supply power to a low voltage electrical system other than in a start-motor application. Do not use the ChargePro™ 1.5 for charging dry-cell batteries that are commonly used with home appliances. These batteries may burst and cause injury to persons and damage to property.
- i. NEVER charge a frozen, damaged or leaking battery.
- j. Keep other persons, children and pets away from batteries and your ChargePro™ 1.5 during operation to avoid serious injury, death, fire or explosion.
- k. Do not place the ChargePro™ 1.5 in the engine compartment or near moving parts. Place away from the battery using the length of the DC cables.
- l. Consult vehicle owner's manual.

## Important Safety Instructions

### 13. PREPARING TO MAINTAIN AND CHARGE A BATTERY

#### CAUTION

- a. When it is necessary to remove a battery from a boat or vehicle to charge, make sure the engine is off and all accessories in-vehicle are off, as to not cause an arc. Always remove the grounded negative terminal from the battery first.
- b. Study all battery manufacturers' specific precautions, warnings, instructions and recommended rates of charge before maintaining and charging. Never charge a battery with missing safety vent caps.
- c. Be sure the area around the ChargePro™ 1.5 and batteries is well ventilated while the battery is being charged. Neutralize with baking soda any electrolyte that spills on a vehicle or in the work area. After neutralizing, rinse contaminated area clean with water.
- d. Clean battery terminals. Be careful to keep corrosion from coming in contact with eyes.
- e. For flooded batteries with removable caps, ONLY ADD DISTILLED WATER in each cell until electrolyte reaches levels specified by the battery manufacturer. Do not over fill. For a maintenance free battery without removable caps, such as valve regulated lead acid batteries, carefully follow manufacturer's maintaining and recharging instructions.
- f. Study all battery manufacturer's specific precautions before maintaining and charging, and recommended rates of charge.
- g. Determine voltage of battery by referring to vehicle owner's and battery manufacturer manual and labels and make sure that the ChargePro™ 1.5 output voltage is a correct voltage range for the battery you are maintaining and charging. Refer to Battery Types specified in this manual.

## ChargePro 1.5™ Location & DC Connection

### 14. CHARGEPRO™ 1.5 LOCATION

#### CAUTION

- Locate the ChargePro™ 1.5 as far away from batteries as possible.
- Never place the ChargePro™ 1.5 directly above a battery being charged; gases or fluids from battery will corrode and damage the ChargePro™ 1.5.
- Do not operate the ChargePro™ 1.5 in an enclosed area or in an area with restricted ventilation in any way.
- Never allow battery acid to drip on the ChargePro™ 1.5 when reading electrolyte specific gravity or filling a battery.
- Do not set a battery on top of the ChargePro™ 1.5.
- Do not install on or over combustible surfaces.

### 15. DC CONNECTION PRECAUTIONS

#### CAUTION

- Connect and disconnect DC output cables only after removing AC cord from electric outlet. Never allow cables to touch each other.

## Portable Use with DC Clamps for In-Vehicle Battery Maintaining Safety Precautions

### 16. FOLLOW THESE STEPS WHEN BATTERY IS INSTALLED IN A VEHICLE. A SPARK NEAR BATTERY MAY CAUSE BATTERY EXPLOSION. TO REDUCE RISK OF A SPARK NEAR A BATTERY:

#### CAUTION

- Position AC and DC cords to reduce risk of damage by hood, door or moving engine parts.
- Stay clear of fan blades, belts, pulleys and other parts that can cause injury to persons.
- Check polarity of battery posts. POSITIVE (POS, P, +) battery post usually has a larger diameter than the NEGATIVE (NEG, N, -) post.
- Identify if you have a negative or positive grounded vehicle. This can be done by identifying which battery post NEGATIVE (NEG, N, -) or POSITIVE (POS, P, +) is connected to the chassis.
- For a negative grounded vehicle: connect the RED POSITIVE (POS, P, +) cable clamp or ring terminal first to the positive post of the battery, then connect the BLACK NEGATIVE (NEG, N, -) cable clamp or ring terminal to the vehicle's chassis. Do not connect the BLACK NEGATIVE (NEG, N, -) cable clamp to metal fuel lines or anywhere in proximity of the carburetor or the battery itself. Connect to a heavy gauge metal part of the frame or engine block.
- For a positive grounded vehicle: connect the BLACK NEGATIVE (NEG, N, -) cable clamp or ring terminal first to the negative post of the battery, then connect the RED POSITIVE (POS, P, +) cable clamp or ring terminal to the vehicle's chassis. Do not connect the RED POSITIVE (POS, P, +) cable clamp to metal fuel lines or anywhere in proximity of the carburetor or the battery itself. Connect to a heavy gauge metal part of the frame or engine block.
- Connect the ChargePro™ 1.5 AC supply cord to a properly grounded fault protected electric outlet.
- When removing the ChargePro™ 1.5, always disconnect AC power, remove clip from vehicle chassis and then remove clip from battery terminal.

## Portable Use with DC Clamps for Out-of-Vehicle/Boat Battery Maintaining Safety Precautions

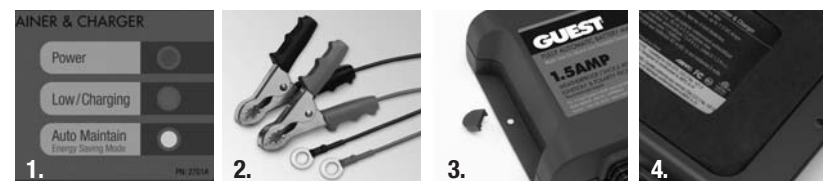
17. **FOLLOW THESE STEPS WHEN BATTERY IS OUTSIDE VEHICLE. A SPARK NEAR BATTERY MAY CAUSE BATTERY EXPLOSION. TO REDUCE RISK OF A SPARK NEAR A BATTERY:**

### ⚠ CAUTION

- Check polarity of battery posts. POSITIVE (POS, P, +) battery post usually has a larger diameter than the NEGATIVE (NEG, N, -) post.
- Connect the RED POSITIVE (POS, P, +) cable clamp to the POSITIVE (POS, P, +) post of battery.
- Connect the BLACK NEGATIVE (NEG, N, -) ChargePro™ 1.5 cable clamp to the NEGATIVE (NEG, N, -) post of battery.
- Do not face battery directly when making final connection.
- Connect the ChargePro™ 1.5 AC supply cord to a properly grounded fault protected electric outlet.
- When disconnecting the ChargePro™ 1.5, always do so in reverse sequence of connecting procedure and break first connection while standing as far away from the battery as practical.

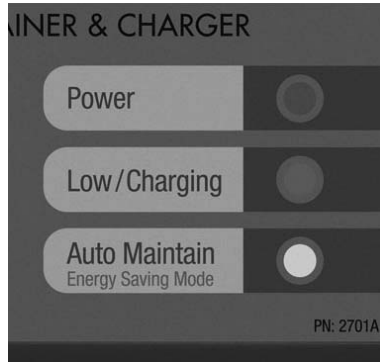
## Standard Product Features

Dual use design, easily configures for on-board or portable use.



- Expanded LED display for Power, Charging and Auto Maintain Status
- Quick connect DC clamp and ring terminal cable assemblies.
- Concealed mounting holes
- Die cut foam resting pad for portable use.

**LED Status Center - Operation and Display**

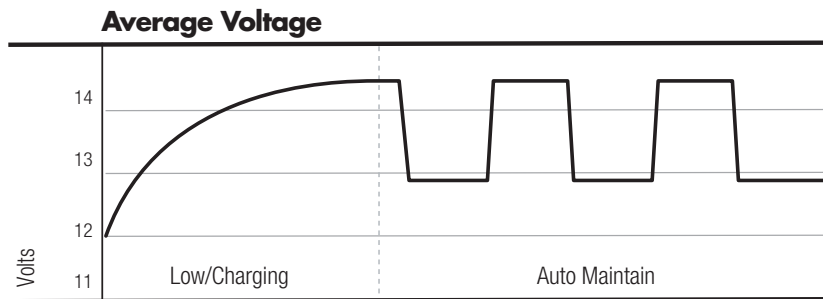


**Blue AC Power LED:** Illuminates when AC power is present.

**Mode LEDs - Each LED will sequentially illuminate after previous mode.**

**Low/Charging:** Red LED will be solid red during charging.

**Auto Maintain (Energy Saver Mode):** Green LED illuminates when batteries are fully charged and being monitored to automatically maintain your battery until you are ready to use it.



**Typical Portable Set Up with DC Clamps for In-Vehicle Maintaining - Negative Chassis Ground**

**WARNING - Read and Follow all INSTRUCTIONS. FAILURE TO FOLLOW INSTRUCTIONS MAY CAUSE SERIOUS INJURY, DAMAGE OR EXPLOSION, ALWAYS WEAR SAFETY GLASSES.**

**Read and follow all General and Personal Safety Precautions in this manual and those by the battery manufacturer.**

**Read and follow all the preparing to charge steps for in a vehicle battery maintaining.**

Below please find the typical steps for in a vehicle maintaining and charging NEGATIVE (NEG, N, -) chassis ground vehicles.

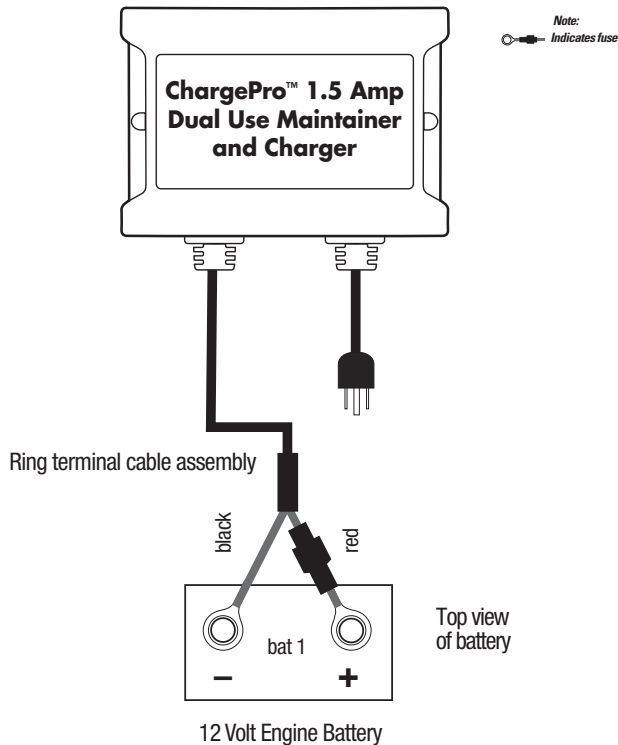
- a. Connect the RED POSITIVE (POS, P, +) cable clamp to the POSITIVE (POS, P, +) post.
- b. Connect the BLACK NEGATIVE (NEG, N, -) cable clamp to the vehicle's chassis. Do not connect the black negative (NEG, N, -) cable clamp to metal fuel lines or anywhere in proximity of the carburetor or the battery itself.
- c. Plug the ChargePro™ 1.5 into a properly grounded fault protected outlet.
- d. When removing the ChargePro™ 1.5, always disconnect AC power, remove clip from vehicle chassis and then remove clip from battery terminal.





## Ignition Protected On-Board Installed Applications

### Ring Terminal Cable Installation for Mounting the ChargePro™ 1.5 On-Board a Boat or Under a Hood Requiring Ignition Protected Installation.



### Installation

When connecting each jacketed battery charger cable, make sure it is connected to only **one 12 VDC battery** and observe the polarity and color of all connections:

Red Wire = + (Positive) Battery connection

Black Wire = - (Negative) Battery connection

The black wire can never be connected to a terminal with red wires. Only black.

### For Ignition Protected Applications On-Board Installation with Ring Terminal Cable Assembly Only

The ChargePro™ 1.5 Dual Use Maintainer and Charger can be permanently mounted on-board, and can be mounted vertically or horizontally. (vertically is recommended for LED viewing)

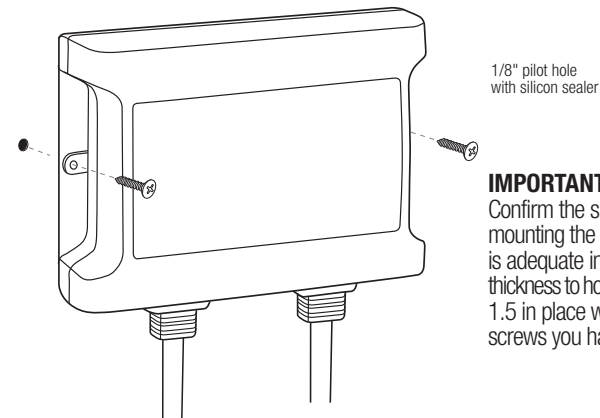
**Only use the ring terminal cable assembly for on-board and ignition protected applications.**

Always mount your ChargePro™ 1.5 in a compartment area that can be properly ventilated during use.

Do NOT make any electrical connections to the ChargePro™ 1.5 or batteries until the following steps are completed:

#### 10 Easy to follow installation steps (after removing mounting hole covers):

1. Select a mounting location that allows for free air ventilation with a minimum of 4 inches of clear unobstructed space around and in front of the ChargePro™ 1.5. Open all battery and engine compartments and ventilate for at least 15 minutes before starting the installation of the ChargePro™ 1.5.
2. Confirm the DC battery cable can reach the battery for proper connections. Confirm the LEDs are viewable.
3. Using the ChargePro™ 1.5 as a mounting template, use a small awl or screwdriver to mark the position of each mounting hole or tape the template in the mounting area to drill the pilot holes.
4. Using a 1/8" drill bit, drill pilot holes in the (2) marked locations as described in step 3. Apply a silicon sealer in each of the mounting locations to waterproof the screw holes.
5. Position the ChargePro™ 1.5 over the mounting holes and secure with a power screwdriver by installing 2 marine grade or #6 x 1" stainless steel screws. (mounting screws not included)



#### IMPORTANT NOTICE

Confirm the surface you will be mounting the ChargePro™ 1.5 to is adequate in strength and thickness to hold the ChargePro™ 1.5 in place with the mounting screws you have selected.

**Installation Continued**

6. Prepare the battery in advance by cleaning each terminal post with a wire brush until a shiny surface is obtained.
7. Run your cables free from sharp objects and hold each of them in place with cable ties. Coil excess cable, **do not cut or shorten the length of the cables** as there are in-line fuses located 4 inches from the end of each positive (red) cable. These fuses are in place to protect the ChargePro™ 1.5 and output cables in the event of a short or reverse polarity.
8. Connect the DC output cables as illustrated on page 13. Make sure the black wire is connected as illustrated to the negative side of the battery and the red wire is connected to the positive side of the battery.
9. Make sure all DC connections are tight and correct.
10. Locate the AC power cord in an open-air area of your boat at least 24 inches from the ChargePro™ 1.5, batteries and fuel fill lines.

**Operation**

The ChargePro™ 1.5 Amp Dual Use Maintainer and Charger is designed to keep your batteries fully charged by maintaining them automatically.

**Recommended Usage Guide**

For 12 Volt Flooded, Gel and AGM (Absorbed Glass Mat) Lead Acid Batteries

| Application   | Battery Capacity    | Size                       | Charging/Maintaining  |
|---|---------------------|----------------------------|---|
| Personal watercraft<br>Power sports<br>Motorcycles<br>Lawn and garden | 6 to 40 amp hours   | Small SLA and U1 batteries | Charging time: 3-20 hours (based on battery size) and auto maintain |
| Boats<br>Cars<br>Trucks<br>Tractors                                   | 55 to 100 amp hours | Group 24 to 31 batteries   | Auto maintain only*   |

\*Maintain only. Not designed to charge large batteries > 40 Ah (amp hours). For charging batteries > 40 amp hours, visit [www.chargepro.com](http://www.chargepro.com) for a full range of chargers or call technical support at 1-800-824-0524.

**Maintaining Batteries**

Please follow these steps each time you use your ChargePro™ 1.5 Amp Dual Use Maintainer and Charger:

1. Open all battery compartments and ventilate for at least 15 minutes before applying AC power to your ChargePro™ 1.5. While maintaining your batteries make sure to keep your battery compartment open allowing for free air ventilation.
2. Make sure all DC battery connections are tight and clean. Follow battery manufacturer's recommendations.
3. Connect a heavy duty UL approved extension cord to the ChargePro™ 1.5 Amp Dual Use Maintainer and Charger first. **After connecting the extension cord to the ChargePro™ 1.5, proceed to plug the extension cord to a nearby 120 VAC GFCI protected (Ground Fault Circuit Interrupt) outlet.**
4. Low/Charge Mode: Observe the illuminated blue power LED and red low/charging LED . This indicates the Low/Charge mode is in process. When completed the RED Low/Charge LED will turn off.
5. Auto Maintain Mode: Observe the illuminated Green auto maintain LED. This indicates your 12 volt battery is fully charged. During short or long term storage periods, ChargePro 1.5's Auto Maintain (Energy Saver) mode will monitor and auto maintain a battery only when needed to maintain a full state of charge. This feature significantly reduces AC Power consumption, lowers operating costs and maximizes reserve power performance.

### Owner's Periodic Maintenance Guide

|                 |   |
|-----------------|---|
| <b>Item:</b>    | <b>Battery Connections</b>  |
| <b>Process:</b> | Clean and tighten all battery connections. Follow battery manufacturer's instructions for cleaning a battery. Clean all battery terminals with a wire brush where required and tighten all battery connections. |
| <b>When:</b>    | Monthly   |

|                 |  |
|-----------------|--|
| <b>Item:</b>    | <b>Battery Electrolyte</b>   |
| <b>Process:</b> | Per battery manufacturer's instructions, monitor, and maintain proper levels of distilled water in each battery. |
| <b>When:</b>    | Monthly  |

|                 |   |
|-----------------|---|
| <b>Item:</b>    | <b>DC Output Wiring</b>   |
| <b>Process:</b> | Visually inspect all wiring for cuts and abrasions. Contact Guest® if your ChargePro™ 1.5 needs to be serviced. |
| <b>When:</b>    | Monthly   |

|                 |  |
|-----------------|--|
| <b>Item:</b>    | <b>AC Power Cord</b>   |
| <b>Process:</b> | Visually inspect the AC power cord. Confirm ground blade is present and all plug blades are in good condition and not bent out of place. |
| <b>When:</b>    | Monthly  |

|                 |   |
|-----------------|---|
| <b>Item:</b>    | <b>Mounting Hardware Inspection</b>   |
| <b>Process:</b> | Check all mounting hardware to ensure there is no loose hardware. Tighten where required. |
| <b>When:</b>    | Monthly   |

### Trouble Shooting Guide

|   |
|---|
| <b>No Blue LED Indicator</b>  |
| <p>Check for loss of AC power at the 120 VAC outlet. Confirm GFCI (Ground Fault Circuit Interrupt) outlet has not tripped. Check with a meter or 120 VAC test light that AC is present at the end of your extension cord.</p> <p>If everything above checks out ok, contact Guest® ChargePro™ factory service for further assistance at 1-800-824-0524.</p> |

|   |
|---|
| <b>No Red or Green LED Indicators</b>   |
| <p>Confirm battery is &gt; 5 VDC and all ChargePro™ 1.5 cables are installed with the correct polarity connections at the battery and that all connections are clean and tight.</p> <p>With the AC Power removed and the engine off, check the charge level of the battery with a DC meter or handheld DC tester. If there is no charge level indication for the battery, please remove the battery and have it tested by your local battery dealer to determine if it has one or more bad cells.</p> <p>If everything above checks out ok, contact Guest® ChargePro™ factory service for further assistance at 1-800-824-0524.</p> |

|   |
|---|
| <b>Battery not maintaining or charging, Blue AC Power LED and RED Charging LED On</b>   |
| <p>Confirm all ChargePro™ 1.5 cables are installed with the correct polarity connections and that all connections are clean and tight. With the ChargePro™ 1.5 on, read DC voltage at the battery. If the reading is less than 13 volts DC proceed with the following:</p> <ol style="list-style-type: none"> <li>A. Disconnect AC power at the outlet.</li> <li>B. Go to pages 12-13 of this manual and confirm your ChargePro™ 1.5 is connected correctly as illustrated in the installation drawings.</li> <li>C. Upon completing B above; plug your ChargePro™ 1.5 into AC power and observe the LED center. The ChargePro™ 1.5 should be in the charging mode (charge status indicator should be red). After completing a full charge cycle, 10-12 hours or more for deeply discharged or completely dead batteries, the charge mode LED indicator should be green and the AC power LED should be blue.</li> </ol> <p><i>Note: If a Digital Volt Meter (DVM) is available to you, instead of waiting to complete a full charge cycle, you can simply use a DVM and take DC voltage measurements across the 12 volt battery. As long as the voltage continues to increase while the red charging LED is on, this will serve as a confirmation that the ChargePro™ 1.5 is properly connected and is properly charging.</i></p> |

## ChargePro™ 1.5 Warranty

We are committed to customer satisfaction and value your business. If at any time during the warranty period you experience a problem with your new ChargePro™ 1.5 Amp Dual Use Maintainer and Charger, simply call us at 1-800-824-0524 between 8:30am-5pm (EST) Monday through Friday, for technical support or email [info@chargepro.com](mailto:info@chargepro.com)

WARRANTY CARD CAN BE REGISTERED AT [WWW.CHARGEPRO.COM](http://WWW.CHARGEPRO.COM)  
or the warranty card included in this manual can be completed and sent to Guest® by mail.

### **GUEST® CHARGEPRO™ 1.5 LIMITED THREE-YEAR FACTORY WARRANTY**

Each ChargePro™ 1.5 model is guaranteed against defects in material and workmanship to the original consumer in normal use for 3 years from the date of purchase. Guest® will at its discretion repair or replace free of charge any defects in material or workmanship.

The following conditions apply:

- Warranty and repair adjustment calculated from manufacture date if not registered or proof of purchase within two weeks of sale.
- Warranty void if unauthorized repairs attempted.
- Warranty void for water submersion and intrusion.
- Customer is responsible for shipping return unit to the Guest® factory service center listed below.
- Cosmetic repairs are done at the owner's request and expense.

Purchase or other acceptance of the product shall be on the condition and agreement that Guest® SHALL NOT BE LIABLE FOR INCIDENTAL OR CONSEQUENTIAL DAMAGES OF ANY KIND. (Some states do not allow the exclusion or limitation of incidental or consequential damages, so the above limitations may not apply to you.) This warranty is made in lieu of all other obligations or liabilities on the part of Guest®. Guest® neither assumes nor authorizes any person for any obligation or liability in connection with the sale of this product.

To make a claim under warranty, go to [www.chargepro.com](http://www.chargepro.com) and click on the resources tab and follow the instructions making sure to identify the product and the problem. If you can not use our online warranty claim registration, please feel free to call the Guest® factory service center at the toll free number listed below. Guest® will make its best effort to repair or replace the product, if found defective within the terms of the warranty, within 30 days after return of the product to the company. Guest® will ship the repaired or replaced product back to the purchaser. This warranty gives you specific legal rights, and you may also have other rights, which vary from state to state or province to province. This warranty is in lieu of all others expressed or implied.

Guest® ChargePro™  
Factory Service Center & Technical Support  
15 Dartmouth Drive, STE 101  
Auburn, New Hampshire 03032.  
USA TOLL FREE: 1-800-824-0524  
Tel: (603) 433-4440 / Fax: (603) 433-4442  
Visit us on the web at: [www.chargepro.com](http://www.chargepro.com)

## CHARGEPRO™ 1.5

Mainteneur et chargeur de batteries de 1,5 A



Protection contre l'inflammabilité\*  
et l'inversion de polarité  
\*Câble à cosse ronde nécessaire

Pour **12V** électrolyte  
un batterie liquide, gel et AGM



IP65  
Résistance aux  
intempéries

Garantie  
de 3 ans



### Manuel du propriétaire et guide d'installation

| Modèle        | Référence | Volts | Ampères | No. Bat | Entretien auto  | Câbles | Dimensions              | Alimentation c.a.    |
|---------------|-----------|-------|---------|---------|---|--------|-------------------------|----------------------|
| ChargePro 1.5 | 2701A     | 12 V  | 1.5     | 1       | amplitude variable surveillée de 12,9 V c.c. à 14,1 V | 1,8 m  | 127 mm x 148 mm x 50 mm | 120 V +/- 10 % 60 Hz |

#### AVIS IMPORTANT

Veillez sauvegarder et lire toutes les instructions de sécurité, d'utilisation et d'installation avant d'installer ou d'appliquer la tension du secteur à votre chargeur de batterie nautique embarqué Guest® ChargePro™ 1.5 Amp Double Usage

**La satisfaction du client est notre priorité!**

**Veillez ne pas retourner cet appareil au détaillant ni au concessionnaire pour une demande d'entretien ou de garantie.**  
Veillez appeler notre Service d'aide à la clientèle au 1 800 824-0524 de 8 h 30 à 17 h heure de l'est pour toute demande de garantie, de service ou d'assistance à l'installation. Merci – Service à la clientèle Guest®

Pour une utilisation avec des batteries 12 V à électrolyte liquide, gel et AGM (Absorbed Glass Mat). Ne pas utiliser avec des batteries 6 V.c.c. Remarque pour les batteries de grande capacité 4D et 8D.

Numéro de modèle : \_\_\_\_\_ Numéro de série : \_\_\_\_\_ Date d'achat : \_\_\_\_\_

|  |             |
|--|-------------|
| Introduction...                          | page 25     |
| Instructions sécuritaires importantes... | pages 26-33 |
| Description générale...                  | pages 34    |
| Utilisation générale...                  | pages 35    |
| Configuration portable...                | pages 36    |
| Schémas de câblage...                    | pages 37    |
| Installation...                          | pages 38-39 |
| Utilisation...                           | page 40     |
| Entretien...                             | page 41     |
| Dépannage...                             | page 42     |
| Service à la clientèle et Garantie...    | page 43     |

Guest® ChargePro™  
 Factory Service and Technical Support  
 15 Dartmouth Drive, STE 101  
 Auburn, New Hampshire 03032  
 603-433-4440  
 1-800-824-0524  
 www.chargepro.com

Fabriqué à Chine

Caractéristiques sujettes à modifications sans avertissement préalable

Certifié conforme à UL STD. 1236  
 Certifié à CSA STD. C22.2 No. 107.2  
 FCC Class B

Conçu et fabriqué conformément à ABYC A-31



### AVIS IMPORTANT : NOTIFICATION DE LA FCC CLASSE B PARTIE 15

Le mainteneur et chargeur de batterie ChargePro™ 1.5 Amp Double Usage embarqué a été conçu et vérifié conformément aux exigences de la réglementation FCC classe A partie 15. Ces règlements assurent une protection adéquate contre le brouillage préjudiciable lors de l'utilisation commerciale. Si, en milieu résidentiel, un brouillage de la réception TV ou radio est constaté, il suffit de débrancher l'appareil ChargePro™ 1.5 de son alimentation secteur pour vérifier si le chargeur de batterie provoque le brouillage. Pour diminuer le brouillage, l'utilisateur final peut explorer les méthodes suivantes :

- 1) Choisir un circuit d'alimentation secteur différent pour alimenter le mainteneur et chargeur de batterie ChargePro™ 1.5 Amp Double Usage
- 2) Vérifier que la prise de courant est correctement mise à la terre.
- 3) Repositionner l'antenne de réception.
- 4) Acheter un filtre de ligne secteur séparé.
- 5) Changer le ChargePro™ 1.5 de place de telle manière qu'il soit à l'endroit le plus éloigné des appareils domestiques de réception : TV, radio, etc.



## Introduction

Notre nouvelle génération de mainteneur et chargeur ChargePro™ 1.5 Amp Double Usage est un produit innovant conçu pour une utilisation maximale. Des trous de montage intégrés permettent au ChargePro™ 1.5 d'être installé à bord ou d'être utilisé comme un portable, avec au dos un coussin en mousse découpé. Des câbles à cosses rondes et des pinces de batterie à connexion rapide sont inclus.

Notre appareil, de qualité marine, est étanche, résistant à l'eau suivant la norme IP 65 et peut au besoin être utilisé dans l'eau fraîche ou salée et dans toutes les applications extérieure et intérieure.

Conçu pour garder les batteries de 12 volts à pleine charge pendant les périodes de stockage à court ou long terme, le mode économie d'énergie du ChargePro™ 1.5 surveille et en cas de besoin entretient automatiquement une batterie pour maintenir un état de charge complet. Grâce à ce mode, le ChargePro™ 1.5 permet de réduire considérablement la consommation de c.a. et les coûts d'exploitation, ainsi que d'optimiser une puissance de réserve maximale.

**Idéal pour les motomarines, les bateaux de ski et de wakeboard, les véhicules tout terrain, automobiles, tracteurs et bien plus encore.**

**Les fonctionnalités du ChargePro™ 1.5 de Guest® comprennent :**

- Une conception économisant l'énergie entièrement automatique
- Conception polyvalente, facile à configurer pour une utilisation embarquée ou portable
- Des trous de montage intégrés et un coussin en mousse découpé pour l'usage portatif
- Affichage à DEL agrandi pour l'alimentation, la charge et l'entretien automatique
- Entretien des batteries 12 V à électrolyte liquide, gel et AGM.
- Ensembles de câbles c.c. à pinces pour connexion rapide et à cosses rondes
- Résistance aux intempéries et étanchéité suivant la norme IP65
- Sécurité intégrée avec protection de polarité inverse, de court-circuit, de surchauffe et contre l'inflammation
- Précâblé pour une installation facile
- Garantie de 3 ans

## Instructions sécuritaires importantes



### CONSERVER CES INSTRUCTIONS

Ce manuel contient des instructions importantes concernant la sécurité et le fonctionnement pour le ChargePro™ 1.5 A Double Usage mainteneur et chargeur de batterie.



**ATTENTION** – Pour réduire le risque de blessures, ne connecter que des batteries 12 V au plomb à électrolyte liquide, gel et AGM. Les autres types de batteries risquent d'éclater et de provoquer des blessures.

L'utilisation d'accessoires non recommandés ou non vendus par Guest® peut entraîner un risque d'incendie, de choc électrique ou de blessure.



### AVERTISSEMENT

Pour réduire le risque de blessure pour l'utilisateur ou de dommage à la propriété, l'utilisateur doit lire et comprendre le manuel d'instructions et tous les avertissements apposés sur le ChargePro™ 1.5 et les batteries avant l'utilisation.



### AVERTISSEMENT

1. ATTENTION - RISQUE DE MÉLANGE DE GAZ EXPLOSIFS
  - a. IL EST DANGEREUX DE TRAVAILLER À PROXIMITÉ D'UNE BATTERIE AU PLOMB. LES BATTERIES PRODUISENT DES GAZ EXPLOSIFS EN SERVICE NORMAL. IL EST AUSSI IMPORTANT DE TOUJOURS RELIRE LES INSTRUCTIONS AVANT D'UTILISER LE CHARGEPRO™ 1.5 ET DE LES SUIVRE À LA LETTRE.
  - b. Pour réduire le risque d'explosion, lire ces instructions et celles qui figurent sur la batterie. Lire attentivement toutes les étiquettes apposées sur les appareils.
  - c. Connecter et déconnecter les fils de la batterie uniquement lorsque le cordon d'alimentation est déconnecté.
  - d. Pour une batterie installée dans un véhicule, raccorder d'abord la pince POSITIVE (ROUGE) du ChargePro™ 1.5 à la borne POSITIVE (POS, +) non mise à la terre de la batterie. Connecter la pince NÉGATIVE (NOIR) au châssis du véhicule ou au bloc moteur à l'écart de la batterie. Ne pas connecter la pince au carburateur, aux conduites de carburant, ni aux pièces de carrosserie en tôle. Connecter la pince à une partie métallique de forte épaisseur du châssis ou du bloc moteur.
  - e. Ne pas fumer, ne pas enflammer d'allumette ni provoquer d'étincelles à proximité de la batterie.
  - f. Utiliser dans un endroit bien ventilé.
  - g. Se reporter au Manuel d'instructions pour plus de détails.
2. N'utiliser le ChargePro™ 1.5 que pour maintenir et charger des batteries au plomb 12 V à électrolyte liquide. Ce chargeur n'est pas conçu pour alimenter un réseau électrique très basse tension ni pour charger des piles sèches. Le fait d'utiliser le chargeur pour charger des piles sèches pourrait entraîner l'éclatement des piles et causer des blessures ou des dommages.
3. L'utilisation d'un accessoire non recommandé ou non vendu par Guest® peut entraîner un risque d'incendie, de choc électrique ou de blessures.
4. Afin de réduire le risque d'endommager la fiche et le cordon d'alimentation, tirer sur la fiche plutôt que sur le cordon pour déconnecter le ChargePro™ 1.5 mainteneur et chargeur de batterie.



## Instructions sécuritaires importantes

5. Cordons prolongateurs :
  - a. la fiche du cordon prolongateur comporte le même nombre de broches que la fiche du chargeur et les broches sont de mêmes forme et forme et taille que la fiche du ChargePro™ 1.5.
  - b. le cordon prolongateur est correctement câblé et en bon état électrique;
  - c. seul un cordon prolongateur de classe industrielle / à usage industriel homologué UL ou CSA et mis à la terre est utilisé. Avant l'utilisation, s'assurer que le cordon prolongateur n'est pas endommagé, que les broches ne sont pas tordues et qu'il ne présente aucune coupure. En cas d'endommagement, remplacer le cordon prolongateur. **Toujours connecter le cordon prolongateur à la fiche du chargeur en premier. Après avoir connecté le cordon prolongateur au ChargePro™ 1.5, brancher le cordon prolongateur dans une prise 120 V c.a. à proximité et protégée par un disjoncteur de fuite de terre.** Consulter les recommandations du fabricant ci-après quant à la dimension appropriée des cordons prolongateurs avec mise à la terre homologués UL ou CSA.
    - i. Jusqu'à 15 m de longueur, utiliser un cordon prolongateur à 3 fils de calibre 18 AWG.
    - ii. Entre 15 et 30 m de longueur, utiliser un cordon prolongateur à 3 fils de calibre 16 AWG.
    - iii. Entre 30 et 45 m de longueur, utiliser un cordon prolongateur à 3 fils de calibre 14 AWG.
6. Ne pas utiliser le ChargePro™ 1.5 en cas d'endommagement ou d'une défaillance de l'isolation protectrice des câbles c.a. et c.c., des porte-fusibles cc. ou des cosses rondes. Contactez Guest® immédiatement pour renvoyer le ChargePro™ 1.5 pour l'entretien et la réparation.
7. Ne pas utiliser le ChargePro™ 1.5 s'il a subi un coup violent, un impact direct, si on l'a laissé tombé ou s'il est autrement endommagé. Contactez Guest® immédiatement pour renvoyer le ChargePro™ 1.5 pour l'entretien et la réparation.
8. Ne pas démonter le ChargePro™ 1.5. Un remontage incorrect peut entraîner un risque de choc électrique ou d'incendie. Si une réparation ou une vérification est nécessaire, communiquer avec le service à la clientèle Guest® en composant le 800-824-0524 entre 8h30 et 17h du lundi au vendredi, ou [www.chargepro.com](http://www.chargepro.com). Toute tentative de vérification, de réparation ou de modification non autorisée peut entraîner un risque de choc électrique, d'incendie ou d'explosion et annule la garantie.
9. Pour réduire le risque de choc électrique, débrancher le ChargePro™ 1.5 de la prise avant tout entretien
10. Ne pas exposer la connexion du cordon d'alimentation secteur à la pluie ni à la neige.

## Instructions sécuritaires importantes

### 11. INSTRUCTIONS POUR LA MISE À LA TERRE ET LA CONNEXION DU CORDON D'ALIMENTATION C.A.

- a. Le ChargePro™ 1.5 doit être mis à la terre afin de réduire les risques de choc électrique. Le cordon d'alimentation du ChargePro™ 1.5 est muni d'un conducteur de terre et d'une fiche avec mise à la terre. **La fiche doit être branchée dans une prise 120 V c.a. protégée par un disjoncteur de fuite de terre** qui est correctement installée et mise à la terre conformément à tous les codes et règlements locaux.

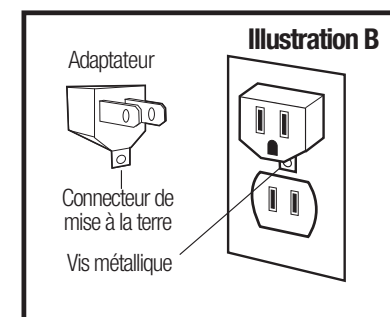
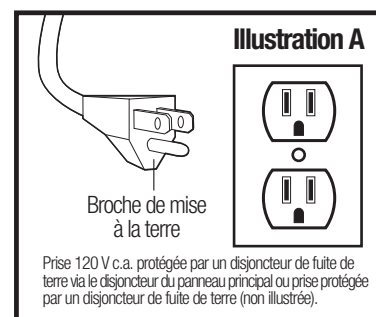
#### DANGER

Ne modifiez jamais le cordon d'alimentation C.A. ou la fiche du chargeur. Si la fiche ne s'adapte pas à la prise, faites installer une prise d'alimentation C.A. avec mise à la terre par un électricien qualifié. Une mauvaise connexion peut entraîner des risques de choc électrique.

- b. Ce ChargePro™ 1.5 fonctionne sur un circuit nominal de 120 V et est muni d'une fiche avec mise à la terre (voir illustration A). Si aucune prise avec mise à la terre n'est disponible, vous pouvez utiliser un adaptateur, que vous brancherez dans la prise bipolaire (voir illustration B). **L'adaptateur temporaire devrait être utilisé uniquement jusqu'à ce qu'une prise mise à la terre adéquatement et protégée par un disjoncteur de fuite de terre puisse être installée par un technicien agréé.**

#### DANGER

Avant d'utiliser l'adaptateur tel qu'illustré, assurez-vous que la vis centrale de la plaque murale est mise à la terre. Le connecteur vert de l'adaptateur doit être relié à une prise correctement mise à la terre. Au besoin, remplacer la vis du cache de la prise par une vis plus longue pour fixer l'oreille ou la languette de l'adaptateur au cache de la prise et pour établir la mise à la terre de la prise de terre protégée par un disjoncteur de fuite de terre.



L'utilisation d'un adaptateur est interdite au Canada. Si une prise de courant avec mise à la terre n'est pas disponible en faire installer une par un électricien qualifié avant d'utiliser cet appareil.



## Instructions sécuritaires importantes

### 12. PRÉCAUTIONS PERSONNELLES

#### ATTENTION

- a. Prévoir la présence d'une personne dans l'environnement proche ou à portée de voix qui puisse venir en aide lors d'un travail à proximité d'une batterie au plomb.
- b. Veiller à disposer de suffisamment de savon, d'eau et de bicarbonate de soude à portée de main en cas de contact de l'acide de la batterie avec la peau, les vêtements ou les yeux.
- c. Prévoir une protection vestimentaire, oculaire et des mains adéquate. Éviter de se toucher les yeux lors du travail à proximité d'une batterie.
- d. Si l'acide de batterie entre en contact avec la peau ou les vêtements, laver immédiatement avec de l'eau et du savon. Si l'acide pénètre dans les yeux, rincer immédiatement et abondamment avec de l'eau froide pendant 15 minutes au moins et obtenir des soins médicaux immédiatement.

En cas d'ingestion d'électrolyte, boire de grandes quantités d'eau ou de lait. NE PAS faire vomir. Obtenir rapidement des soins médicaux.

- e. Ne jamais fumer près de la batterie ou du moteur et éviter toute étincelle ou flamme nue à proximité de ces derniers.
- f. Faire preuve d'une grande prudence afin de réduire le risque de chute d'un outil métallique sur la batterie. Une chute d'outil peut provoquer une étincelle ou court-circuiter la batterie ou tout autre matériel électrique, ce qui peut entraîner une explosion ou un incendie.
- g. Enlever tout objet personnel en métal, notamment les bagues, bracelets, colliers, montres et bijoux lorsqu'on travaille à proximité d'une batterie. Une batterie peut provoquer un courant de court-circuit suffisamment élevé pour souder une bague ou tout autre objet métallique, avec pour conséquence des brûlures graves.
- h. Utiliser le ChargePro™ 1.5 pour entretien et charger une batterie 12V au PLOMB-ACIDE uniquement. Le ChargePro™ 1.5 n'est pas conçu pour alimenter un système électrique basse tension autre que celui d'une application de démarrage de moteur. Ne pas utiliser le chargeur de batterie pour charger des batteries de piles sèches qui sont couramment utilisées dans les appareils électroménagers. Ces batteries risquent d'éclater et de provoquer des blessures et des dommages matériels.
- i. Ne jamais charger une batterie gelée.
- j. Tenir toute personne, les enfants et les animaux de compagnie à l'écart des batteries et du ChargePro™ 1.5 pendant l'utilisation pour éviter des blessures graves, la mort, un incendie ou une explosion.
- k. Ne pas placer le ChargePro™ 1.5 dans le compartiment moteur ni à proximité de pièces en mouvement. Éloigner le chargeur de la batterie de toute la longueur des câbles c.c.
- l. Consulter le manuel du propriétaire du véhicule.

## Instructions sécuritaires importantes

### 13. PRÉPARATION AVANT D'ENTRETIEN ET CHARGER UNE BATTERIE

#### ATTENTION

- a. Lorsqu'il est nécessaire de retirer une batterie d'un bateau ou d'un véhicule pour la charger, vérifier que le moteur est arrêté et que tous les accessoires dans le véhicule sont éteints, afin de ne pas provoquer d'arc électrique. Toujours déconnecter en premier la borne négative de la batterie reliée à la masse.
- b. Avant de commencer l'entretien et la charge, étudier toutes les précautions spécifiques du fabricant de la batterie, les avertissements, les instructions ainsi que les intensités de charge recommandées.
- c. S'assurer que la zone autour du ChargePro™ 1.5 et de la batterie est bien ventilée pendant la charge de la batterie. Neutraliser avec du bicarbonate de soude tout électrolyte renversé sur un véhicule ou sur la zone de travail. Après neutralisation, rincer la zone contaminée avec de l'eau.
- d. Nettoyer les bornes de la batterie. Faire preuve de prudence pour éviter tout contact d'un élément corrodé avec les yeux.
- e. Dans les batteries à électrolyte liquide dotées de bouchons amovibles, AJOUTER UNIQUEMENT DE L'EAU DISTILLÉE dans chaque cellule jusqu'à ce que l'électrolyte atteigne les niveaux spécifiés par le fabricant de la batterie. Ne pas trop remplir. Pour une batterie sans entretien qui n'est pas dotée de bouchons amovibles, notamment les batteries régulées par soupape, respecter toutes les instructions du fabricant pour l'entretien et la recharge.
- f. Avant de commencer l'entretien et la charge, étudier toutes les précautions spécifiques du fabricant de la batterie ainsi que les intensités de charge recommandées.
- g. Déterminer la tension de la batterie en se reportant au manuel du propriétaire ainsi qu'au manuel et aux étiquettes du fabricant de la batterie. Vérifier que la tension de sortie du ChargePro™ 1.5 correspond à la plage de tension correcte pour la batterie en cours de charge et d'entretien. Se reporter à la section Types de batterie spécifiée dans le présent manuel.

## Emplacement du ChargePro 1.5™ et précautions de connexion C.C.

### 17. EMPLACEMENT DU CHARGEPRO™ 1.5

#### ATTENTION

- Placer le ChargePro™ 1.5 aussi loin de la batterie que possible.
- Ne jamais placer le ChargePro™ 1.5 directement sous la batterie à charger ou au-dessus de cette dernière. Les gaz ou les fluides qui s'échappent de la batterie peuvent entraîner la corrosion du ChargePro™ 1.5 ou l'endommager.
- Ne pas faire fonctionner le ChargePro™ 1.5 dans un espace clos et/ou ne pas gêner la ventilation.
- Ne jamais laisser l'acide de la batterie couler sur le ChargePro™ 1.5 lors de la mesure de la densité de l'électrolyte ou du remplissage d'une batterie.
- Ne pas poser une batterie sur le ChargePro™ 1.5.
- Ne pas installer au-dessus ou sur des surfaces combustibles.

### 18. PRÉCAUTIONS DE CONNEXION C.C.

#### ATTENTION

- Connecter et déconnecter les câbles de sorties c.c. seulement après avoir retiré le cordon d'alimentation de la prise électrique. Ne jamais laisser les câbles se toucher.

## Mesures de sécurité pour charger un batterie dans un véhicule

### 16. SUIVRE CES ÉTAPES LORSQUE LA BATTERIE EST INSTALLÉE DANS LE VÉHICULE. UNE ÉTINCELLE À PROXIMITÉ D'UNE BATTERIE PEUT PROVOQUER UNE EXPLOSION. POUR RÉDUIRE LE RISQUE D'UNE ÉTINCELLE À PROXIMITÉ D'UNE BATTERIE :

#### ATTENTION

- Positionner les cordons secteur et c.c. pour réduire les risques de dommages par le capot, les portes ou par les pièces en mouvement du moteur.
- Rester à l'écart des pales du ventilateur, des courroies, des poulies et des autres pièces qui peuvent causer des blessures aux personnes.
- Vérifier la polarité des bornes de la batterie. c. La borne de la batterie POSITIVE (POS, P, +) dispose habituellement d'un diamètre plus grand que la borne NÉGATIVE (NEG, N, -).
- Déterminer si le véhicule dispose d'une mise à la masse négative ou positive. Ceci peut être effectué en identifiant la borne de batterie NÉGATIVE (NEG, N, -) ou POSITIVE (POS, P, +) qui est reliée au châssis.
- Pour un véhicule dont la masse est négative : connecter d'abord la pince ou la cosse du câble ROUGE POSITIF (POS, P, +) à la borne positive de la batterie, puis connecter la pince ou la cosse du câble NOIR NÉGATIF (NEG, N, -) au châssis du véhicule. Ne pas connecter la pince du câble NOIR NÉGATIF (NEG, N, -) à des conduites métalliques d'alimentation en carburant, ni à proximité du carburateur, ni à la batterie elle-même. Se connecter à une pièce métallique de forte épaisseur du châssis ou du bloc de moteur.
- Pour un véhicule dont la masse est positive : connecter d'abord la pince ou la cosse du câble NOIR NÉGATIF (NEG, N, -) à la borne négative de la batterie, puis connecter la pince ou la cosse du câble ROUGE POSITIF (POS, P, +) au châssis du véhicule. Ne pas connecter la pince du câble ROUGE POSITIF (POS, P, +) à des conduites métalliques d'alimentation en carburant, ni à proximité du carburateur, ni à la batterie elle-même. Se connecter à une pièce métallique de forte épaisseur du châssis ou du bloc de moteur.
- Brancher le cordon d'alimentation secteur du ChargePro™ 1.5 sur une prise protégée par un disjoncteur de fuite de terre et correctement mise à la terre.
- Lorsque le ChargePro 1.5 doit être retiré, toujours débrancher l'alimentation secteur, retirer la pince du châssis du véhicule, puis retirer la pince de la borne de la batterie.

## Utilisation portable avec les pinces c.c. pour des batteries hors d'un véhicule / précautions sécuritaires pour l'entretien d'une batterie sur un bateau

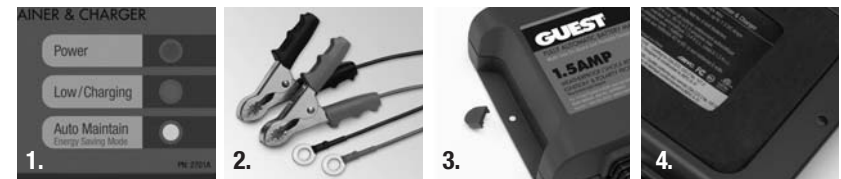
**17. SUIVRE LES ÉTAPES QUI SUIVENT LORSQUE LA BATTERIE EST HORS D'UN VÉHICULE. UNE ÉTINCELLE À PROXIMITÉ D'UNE BATTERIE PEUT PROVOQUER UNE EXPLOSION. POUR RÉDUIRE LE RISQUE D'UNE ÉTINCELLE À PROXIMITÉ D'UNE BATTERIE :**

### ⚠ ATTENTION

- Vérifier la polarité des bornes de la batterie. La borne de la batterie POSITIVE (POS, P, +) dispose habituellement d'un diamètre plus grand que la borne NÉGATIVE (NEG, N, -).
- Connecter la pince du câble ROUGE POSITIF (POS, P, +) à la borne POSITIVE (POS, P, +) de la batterie.
- Connecter la pince du câble du ChargePro™ 1.5 NOIR NÉGATIF (NEG, N, -) à la borne NÉGATIVE (NEG, N, -) de la batterie.
- Ne pas faire face à la batterie lors de la connexion finale.
- Brancher le cordon d'alimentation secteur du ChargePro™ 1.5 sur une prise protégée par un disjoncteur de fuite de terre et correctement mise à la terre.
- Lors de la déconnexion du ChargePro™ 1.5, toujours le faire dans l'ordre inverse de la procédure de connexion et effectuer la première déconnexion aussi loin de la batterie que possible.

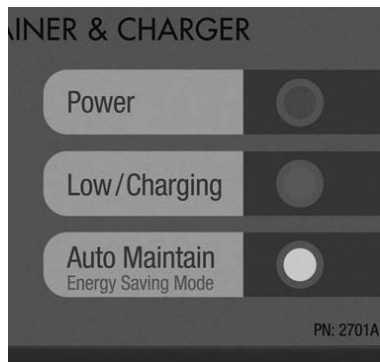
## Fonctionnalités standard du produit

Conception polyvalente, facile à configurer pour une utilisation embarquée ou portable.



- Affichage à DEL agrandi pour l'état de l'alimentation, de la charge et de l'entretien automatique
- Ensembles de câbles c.c. à pinces pour connexion rapide et à cosses rondes.
- Trous de montage intégrés
- Coussin en mousse découpé pour l'usage portatif.

## Afficheur d'état à DEL – Fonctionnement et affichage



### DEL bleue d'alimentation secteur (AC Power) :

S'allume lorsque l'alimentation secteur est présente.

### DEL de mode - Chaque DEL s'allume successivement après la fin du mode précédent.

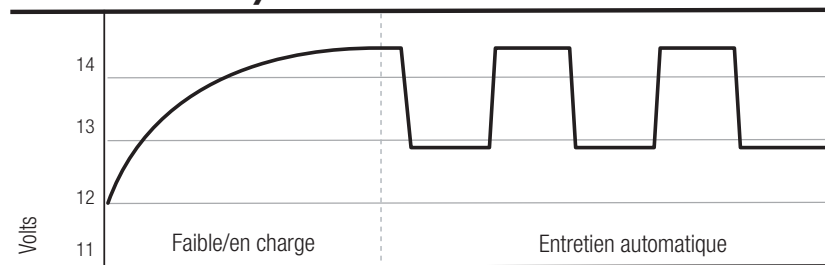
#### Low/Charging (Faible/en charge) :

La DEL est rouge fixe pendant la charge.

#### Mode d'entretien automatique (écoénergétique) :

La DEL verte s'allume et reste allumée lorsque les batteries sont complètement chargées et surveillées pour entretenir automatiquement la batterie jusqu'à ce qu'elle soit prête à être utilisée.

### Tension moyenne



## Configuration portable courante avec les pinces c.c. pour l'entretien dans un véhicule - avec masse négative du châssis

**AVERTISSEMENT - Lire et respecter toutes les INSTRUCTIONS. LE NON-RESPECT DES INSTRUCTIONS PEUT PROVOQUER DES BLESSURES GRAVES, DES DOMMAGES OU UNE EXPLOSION. TOUJOURS SE PROTÉGER LES YEUX AVEC DES LUNETTES DE SÉCURITÉ.**

Suivre les précautions sécuritaires générales et personnelles de ce manuel ainsi que celles du fabricant de la batterie.

Lire et suivre toutes les étapes de la préparation au chargement pour entretenir une batterie dans un véhicule.

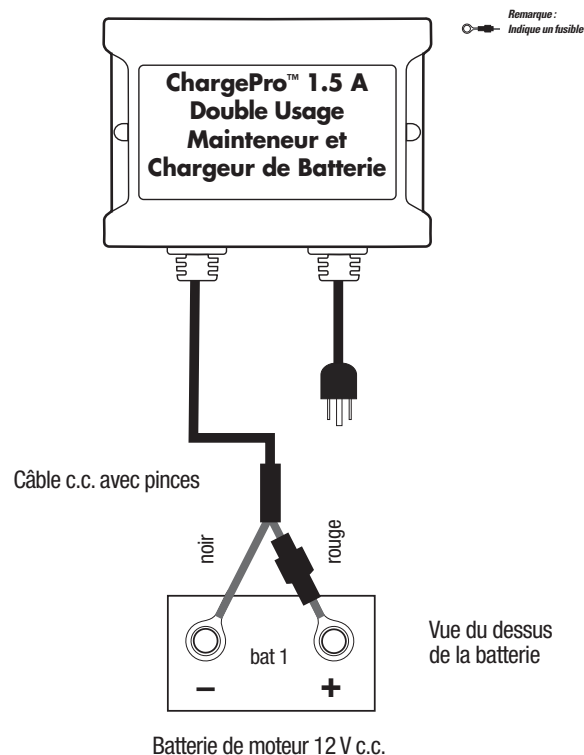
Veillez trouver ci-après les étapes usuelles pour entretenir et charger une batterie dans un véhicule dont le châssis comporte une masse NÉGATIVE (NEG, N, -).

- Connecter la pince du câble ROUGE POSITIF (POS, P, +) à la borne POSITIVE (POS, P, +).
- Connecter la pince du câble NOIR NÉGATIF (NEG, N, -) au châssis du véhicule. Ne pas connecter la pince du câble NOIR NÉGATIF (NEG, N, -) à des conduites métalliques d'alimentation en carburant, ni à proximité du carburateur, ni à la batterie elle-même.
- Brancher le ChargePro™ 1.5 dans une prise correctement mise à la terre et protégée par disjoncteur de fuite de terre.
- Lorsque le ChargePro 1.5 doit être retiré, toujours débrancher l'alimentation secteur, retirer la pince du châssis du véhicule, puis retirer la pince de la borne de la batterie.



## Applications de protection contre l'inflammation pour une installation embarquée

Installation avec les câbles à cosses rondes pour installer le ChargePro™ 1.5 à bord d'un bateau ou sous un capot nécessitant une installation protégée contre l'inflammation.



### Installation

Lors du branchement de chaque câble gainé du chargeur de batterie, vérifier qu'il est branché seulement à une batterie 12 V c.c. et observer la polarité ainsi que les couleurs de tous les branchements.

Fil rouge = branchement de batterie + (positif)

Fil noir = branchement de batterie - (négatif)

Le fil noir ne doit jamais être branché à une borne munie de fils rouges. Seulement de fils noirs.

## Pour les applications embarquées protégées contre l'inflammation avec des câbles munis de cosses rondes seulement

Tous les mainteneur et chargeur ChargePro™ 1.5 Amp Double-Usage sont conçus pour être installés de façon permanente à bord, et peuvent être fixés verticalement ou horizontalement (la position verticale est recommandée pour visualiser les DEL).

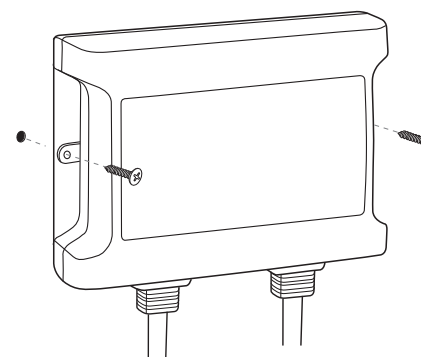
**Utiliser uniquement les câbles munis de cosses rondes pour les installations embarquées protégées contre l'inflammation.**

Toujours installer le ChargePro™ 1.5 dans un compartiment pouvant être correctement ventilé pendant l'utilisation.

NE PAS effectuer de branchements électriques au ChargePro™ 1.5 ou aux batteries avant d'avoir exécuté les étapes suivantes :

### 10 Étapes faciles d'installation (après démontage des couvercles de trous de montage) :

1. Choisir un emplacement d'installation qui permette une ventilation à l'air libre avec un minimum de 10 cm (4 po) d'espace dégagé autour du ChargePro™ 1.5 et devant. Ouvrir tous les compartiments batterie et moteur et ventiler pendant 15 minutes au moins avant de commencer l'installation du ChargePro™ 1.5.
2. Confirmer que les câbles de batterie c.c. peuvent atteindre la batterie afin d'effectuer des connexions correctes. Confirmer que les DEL sont visibles.
3. En utilisant le ChargePro™ 1.5 comme gabarit de montage, marquer avec une petite alène ou un petit tournevis la position de chaque trou de montage ou fixer le gabarit au moyen de ruban adhésif dans l'emplacement de montage pour y percer les avant-trous.
4. À l'aide d'un foret de 1/8 po (3,15 mm), percer les avant-trous aux (2) endroits marqués décrits à l'étape 3. Appliquer du joint en silicone dans chaque emplacement de montage pour rendre étanches les trous de vis.
5. Placer le ChargePro™ 1.5 sur des trous de montage et le fixer à l'aide d'un tournevis électrique et 2 vis de qualité nautique ou des vis en acier inoxydable numéro 6 x 1 po (25,4 mm) (vis de montage non incluses)



Avant-trous de 1/8 po (3,15 mm)  
avec joint en silicone

### AVIS IMPORTANT

Vérifier que la surface sur laquelle est monté le ChargePro™ 1.5 est suffisante en ce qui concerne la solidité et l'épaisseur pour le ChargePro™ 1.5 en place avec les vis de montage choisies.

## Installation (suite)

6. En avance, préparer chaque batterie en nettoyant chaque borne avec une brosse métallique jusqu'à obtenir une surface brillante.
7. Faire passer les câbles à l'écart d'objets acérés et les maintenir en place séparément à l'aide d'attaches de câble. Enrouler le câble excédentaire, **ne pas couper ni raccourcir la longueur des câbles** car ils sont munis de fusibles intégrés situés à 10 cm (4 po) de l'extrémité de chaque câble positif (rouge). Ces fusibles sont en place pour protéger le ChargePro™ 1.5 ainsi que les câbles de sortie dans le cas d'un court-circuit ou d'une polarité inverse.
8. Brancher les câbles de sortie c.c. comme illustré sur la page 37. Vérifier que le fil noir est branché comme illustré sur le côté négatif de la batterie et que le fil rouge est branché sur le côté positif de la batterie.
9. Vérifier que tous les branchements c.c. sont serrés et corrects.
10. Placer le cordon d'alimentation secteur à l'air libre sur le bateau, à au moins 60 cm (24 po) du ChargePro™ 1.5, des batteries et des tuyaux de remplissage du carburant.

## Utilisation

Le chargeur et mainteneur polyvalent ChargePro™ 1.5 A Double Usage est conçu pour garder les batteries complètement chargées en les entretenant automatiquement.

## Guide d'utilisation recommandée

Pour les batteries 12 V à électrolyte liquide, gel et AGM (Absorbed Glass Mat).

| Application  | Capacité de batterie | Taille                           | Charge/entretien   |
|--|----------------------|----------------------------------|--|
| Motomarine<br>Sports motorisés<br>Motocyclettes<br>Pelouses et jardins | 6 à 40 Ah            | Petites batteries<br>SLA et U1   | Temps de charge :<br>3 à 20 heures (selon la taille<br>de la batterie) et entretien<br>automatique |
| Bateaux<br>Voitures<br>Camions<br>Tracteurs                            | 55 à 100 Ah          | Batteries des<br>groupes 24 à 31 | Entretien automatique<br>seulement*  |

\*Entretien seulement. Non conçu pour charger des batteries de grande capacité > 40 Ah (ampères-heures).  
Pour charger des batteries de capacité > 40 Ah, visiter [www.chargepro.com](http://www.chargepro.com) pour une gamme complète de chargeurs ou appeler le support technique au 1-800-824-0524

## Maintaining Batteries

Veillez suivre ces étapes chaque fois que vous utilisez votre mainteneur et chargeur de batteries ChargePro™ 1.5 Double Usage :

1. Ouvrir tous les compartiments de batterie et ventiler pendant au moins 15 minutes avant de brancher le ChargePro™ 1.5 sur l'alimentation secteur. Pendant l'entretien des batteries, vérifier que le compartiment de batterie reste ouvert pour permettre la ventilation à l'air libre.
2. Vérifier que tous les branchements c.c. sont serrés et propres. Suivre les recommandations du fabricant.
3. En premier lieu, brancher un cordon prolongateur à usage industriel homologué UL au mainteneur et chargeur de batteries ChargePro™ 1.5 Double Usage. **Après avoir branché le cordon prolongateur au ChargePro™ 1.5, brancher le cordon prolongateur dans une prise 120 V c.a. à proximité et protégée par un disjoncteur de fuite de terre.**
4. Mode Low/Charging (faible/en charge) : Observer si la DEL d'alimentation bleue et la DEL rouge Low/Charging sont allumées. Cela signifie que le mode Low/Charging (Faible/en charge) est en cours. Lorsque la charge est complète, le voyant DEL Low/Charging s'éteint.
5. Mode Auto Maintain (entretien automatique) : Observer si la DEL verte Auto Maintain est allumée. Elle indique que la batterie 12 V est complètement chargée. Pendant les périodes d'entreposage à court ou long terme, le mode d'entretien automatique (écoénergétique) du ChargePro™ 1.5 surveille et en cas de besoin entretient automatiquement une batterie pour maintenir un état de charge complet. Ce mode permet de réduire considérablement la consommation c.a., les coûts d'exploitation et d'optimiser une puissance de réserve maximale.

## Guide d'entretien périodique

|                    |   |
|--------------------|---|
| <b>Article :</b>   | <b>Branchements de batterie</b>   |
| <b>Processus :</b> | Nettoyer et serrer tous les branchements de batterie. Suivre les instructions du fabricant pour nettoyer une batterie. En cas de besoin, nettoyer toutes les bornes de batterie avec une brosse métallique et serrer tous les branchements. |
| <b>Fréquence :</b> | Mensuelle   |

|                    |  |
|--------------------|--|
| <b>Article :</b>   | <b>Électrolyte de batterie</b>   |
| <b>Processus :</b> | Pour les batteries à électrolyte liquide, selon les instructions du fabricant, contrôler et maintenir les niveaux corrects d'eau distillée dans chaque batterie. |
| <b>Fréquence :</b> | Mensuelle  |

|                    |  |
|--------------------|--|
| <b>Article :</b>   | <b>Câblage de sortie c.c.</b>  |
| <b>Processus :</b> | Inspecter visuellement tous les câbles pour repérer coupures et abrasions. Communiquer avec Guest® si le ChargePro™ 1.5 a besoin d'un nouveau câblage. |
| <b>Fréquence :</b> | Mensuelle  |

|                    |   |
|--------------------|---|
| <b>Article :</b>   | <b>Cordon d'alimentation secteur</b>  |
| <b>Processus :</b> | Inspecter visuellement le cordon d'alimentation secteur. Confirmer que la broche de terre est présente et que toutes les broches de la fiche sont en bon état et non tordues. |
| <b>Fréquence :</b> | Mensuelle   |

|                    |   |
|--------------------|---|
| <b>Article :</b>   | <b>Inspection des pièces de montage</b>   |
| <b>Processus :</b> | Vérifier toutes les pièces de montage pour garantir leur serrage. Serrer au besoin. |
| <b>Fréquence :</b> | Mensuelle   |

## Dépannage

### Pas de voyants DEL bleu

Vérifier un possible défaut d'alimentation à la prise 120 V c.a. Vérifier que le disjoncteur de fuite de terre n'a pas disjoncté. Vérifier avec un multimètre ou une lampe test de 120 V c.a. que la tension c.a. est présente à l'extrémité du cordon prolongateur. Vérifier que tous les câbles du chargeur sont installés avec les branchements correctement polarisés sur chaque batterie et que tous les branchements sont propres et correctement serrés.

Si tout ce qui précède se révèle correct, communiquer avec Guest® ChargePro™ en vue de la réparation du produit a 1-800-824-0524.

### Pas de voyants DEL rouge ou vert

Confirmer que la tension de la batterie est supérieure à 5 V c.c., que tous les câbles du chargeur sont installés avec les connexions de polarité correctes à chaque batterie et que toutes les connexions sont propres et correctement serrées.

Sans alimentation secteur et avec le moteur arrêté, mesurer le niveau de charge de la batterie avec un voltmètre c.c. ou un testeur de charge c.c. portatif. S'il n'y a pas d'indication de niveau de charge pour la batterie, veuillez enlever la batterie et la faire tester par votre concessionnaire local de batterie pour déterminer si elle possède une ou plusieurs cellules défectueuses.

Si tout ce qui précède se révèle correct, communiquer avec Guest® ChargePro™ en vue de la réparation du produit a 1-800-824-0524.

### La batterie ne se charge pas ou n'effectue pas son entretien, la DEL bleue d'alimentation secteur (AC Power) et la DEL rouge de chargement sont allumées

Vérifier que tous les câbles du ChargePro™ 1.5 sont installés avec les branchements correctement polarisés sur chaque batterie et que tous les branchements sont propres et correctement serrés. Vérifier que les voyants DEL d'état d'anomalie de banc sont éteints. Le ChargePro™ 1.5 étant en marche, relever la tension c.c. de chaque batterie. Si un des relevés est inférieur à 13 V c.c., procéder de la façon suivante :

- Débrancher l'alimentation secteur de la prise 120 V c.a.
- Se reporter aux pages 36 à 37 du présent manuel et vérifier que le ChargePro™ 1.5 est branché correctement comme illustré sur les schémas d'installation.
- Après avoir accompli l'étape B ci-dessus, brancher le ChargePro™ 1.5 sur l'alimentation secteur et examiner l'affichage DEL. Le ChargePro™ 1.5 doit être en mode chargement (le voyant d'état de chargement doit être rouge). Après l'achèvement d'un cycle complet de chargement de 10 à 12 heures ou plus pour une batterie très déchargée ou complètement à plat, le voyant de mode de chargement doit être vert et la DEL bleue d'alimentation secteur doit être allumée.

*Remarque : Si un voltmètre numérique est disponible, il suffit de l'utiliser et d'effectuer des mesures de tension sur chaque batterie 12 V au lieu d'attendre la fin d'un cycle de chargement complet. S'il indique que la tension continue d'augmenter alors que la DEL rouge d'état de chargement est allumée, cela signifie que le ChargePro™ 1.5 est correctement branché et qu'il charge efficacement.*



## Garantie de ChargePro™ 1.5

Nous sommes résolus à obtenir la satisfaction de la clientèle et votre fidélité nous est précieuse. Si, à un moment quelconque de la période de garantie, vous rencontrez des problèmes avec votre nouveau chargeur nautique embarqué ChargePro™ 1.5 double usage, il suffit de nous appeler au 1 800 824-0524 entre 8h30 et 17h du lundi au vendredi, ou [info@chargepro.com](mailto:info@chargepro.com) pour obtenir un support technique.

LA CARTE DE GARANTIE PEUT ÊTRE ENREGISTRÉE SUR LE SITE [WWW.CHARGEPRO.COM](http://WWW.CHARGEPRO.COM) ou la carte de garantie incluse dans le présent manuel peut être remplie et retournée à Guest® par courrier.

### GARANTIE LIMITÉE D'USINE DE TROIS ANS CHARGEPRO™ 1.5

Chaque modèle ChargePro™ est garanti à l'acheteur d'origine pour une utilisation normale pendant 3 ans à partir de la date d'achat contre les défauts de matériaux et de fabrication. Guest® réparera ou remplacera gratuitement à sa seule discrétion tout défaut de matériaux ou de fabrication.

Les conditions suivantes s'appliquent :

- La période de garantie est calculée depuis la date de fabrication si l'appareil n'est pas enregistré dans les deux semaines suivant la vente.
- La garantie est annulée en cas de tentatives de réparation non autorisées.
- La garantie est annulée s'il y a immersion et intrusion d'eau.
- Les frais de retour de l'appareil au centre de service de l'usine Guest® énumérés ci-dessous incombent au client.
- Les réparations cosmétiques peuvent être effectuées à la demande et aux frais du propriétaire.

L'achat, ou autre acceptation du produit, est soumis à la condition et à l'entente que Guest® NE PEUT ÊTRE TENU POUR RESPONSABLE DE DOMMAGES CONSÉCUTIFS OU ACCESSOIRES D'AUCUNE SORTIE. (Certaines provinces interdisent l'exclusion ou la limitation des dommages accessoires ou consécutifs, de sorte que les exclusions ou les limitations susmentionnées peuvent ne pas s'appliquer à votre cas.) Cette garantie remplace toute autre obligation ou responsabilité de la part de Guest®. Guest® n'assume ni n'autorise quiconque à endosser une quelconque obligation ou responsabilité en connexion avec la vente de ce produit.

Pour enregistrer en ligne une réclamation sous garantie, se rendre sur le site [www.chargepro.com](http://www.chargepro.com), cliquer sur l'onglet « Ressources » et suivre les instructions en veillant à identifier le produit et le problème. En cas d'impossibilité d'utiliser notre formulaire d'enregistrement en ligne de la garantie, ne pas hésiter à appeler le centre de service de l'usine Guest® au numéro sans frais indiqué ci-dessous. Guest® mettra tout en œuvre pour réparer ou remplacer le produit s'il est avéré défectueux selon les termes de la garantie, cela dans les 30 jours qui suivent le retour du produit à l'entreprise. Guest® renverra le produit réparé ou remplacé à l'acheteur. Cette garantie vous confère des droits légaux particuliers et vous pourriez aussi avoir d'autres droits légaux qui pourraient varier selon l'état ou la province où vous habitez. Cette garantie remplace toute autre garantie explicite ou implicite.

Guest® ChargePro™  
Factory Service Center & Technical Support  
15 Dartmouth Drive, STE 101  
Auburn, New Hampshire 03032, États-Unis  
SANS FRAIS AUX ÉTATS-UNIS : 1-800-824-0524  
Tél. : 1-603-433-4440 / Télécopieur : 1-603-433-4442  
Visitez ChargePro™ en ligne sur le site [www.chargepro.com](http://www.chargepro.com)