

**Datasheet**

## Wall-Mount Industrial Socket-outlet

Stock No:  
2144236



Image for reference only

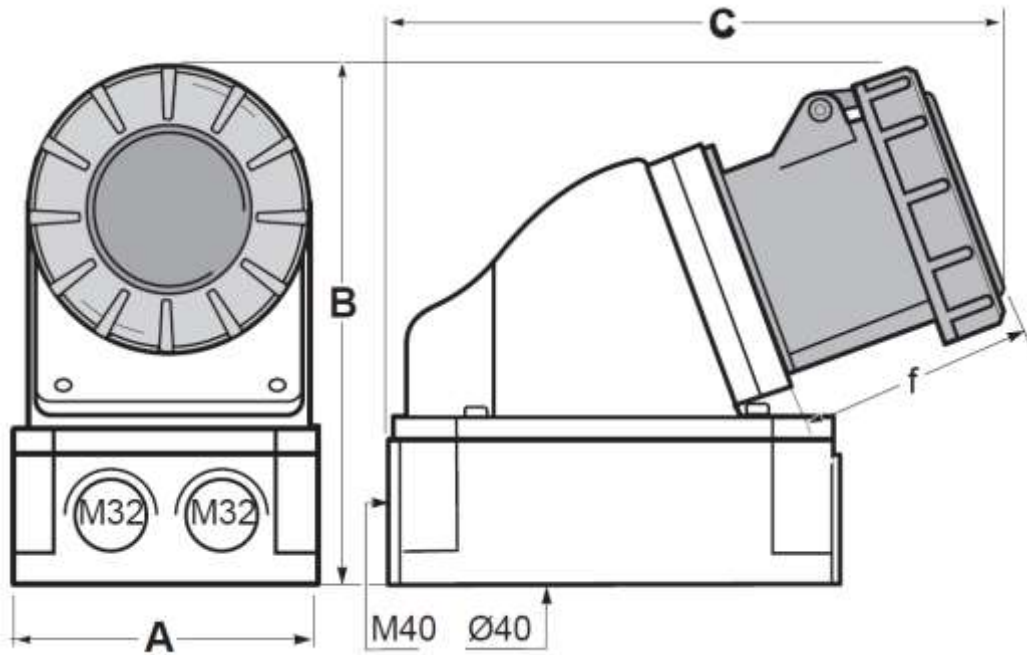
### Technical Characteristics

Rated Current:	<b>63</b>
Rated Voltage	<b>380-415</b>
Poles	<b>5P (3P+N+T)</b>
Clock Position	<b>6h</b>
Rated Frequency	<b>50/60Hz</b>
Insulating Resistance	<b>&gt;10MΩ@500Vdc</b>
Dielectric Stength	<b>2,5kV 60s</b>
IP Protection Degree	<b>IP67 (IEC / EN 60529)</b>
Operating Temperature	<b>-25°C/ 40°C</b>
Glow Wire Test	<b>850°C live parts supports / 650°C other parts (IEC/EN 60695-2-10)</b>
Material	<b>Housing: PA6/ABS</b>
Product Standard	<b>IEC/EN 60309-1, IEC/EN 60309-2</b>

Datasheet

# Wall-Mount Industrial Socket-outlet

Stock No: 24395-RSC



Dimensions in mm

A	B	C	D	E	F	G	ØK
118	200	220	-	-	82	-	-