



PART NAME

M32 X 1.5 VENT PLUG, BLACK, FLAT SEAL WASHER

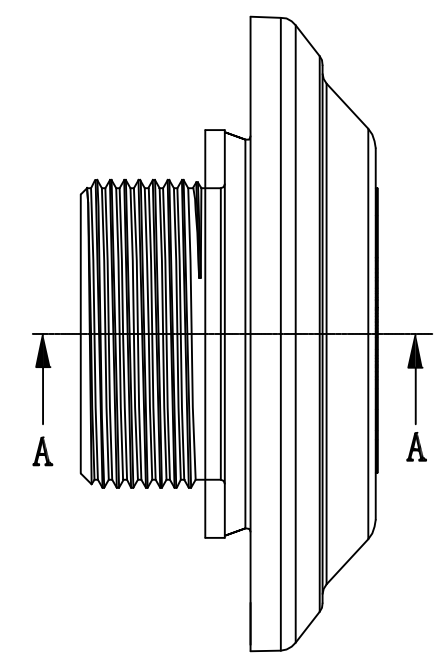
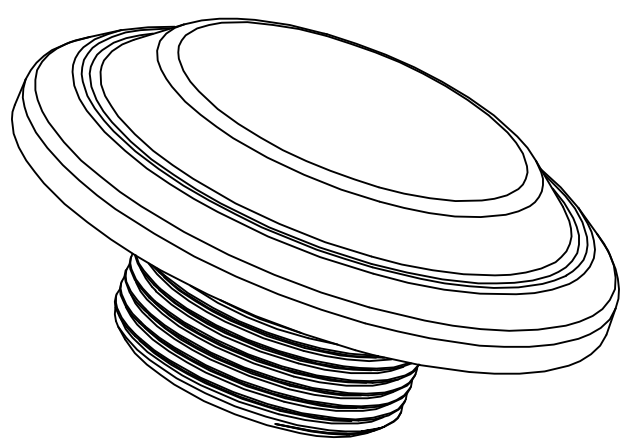
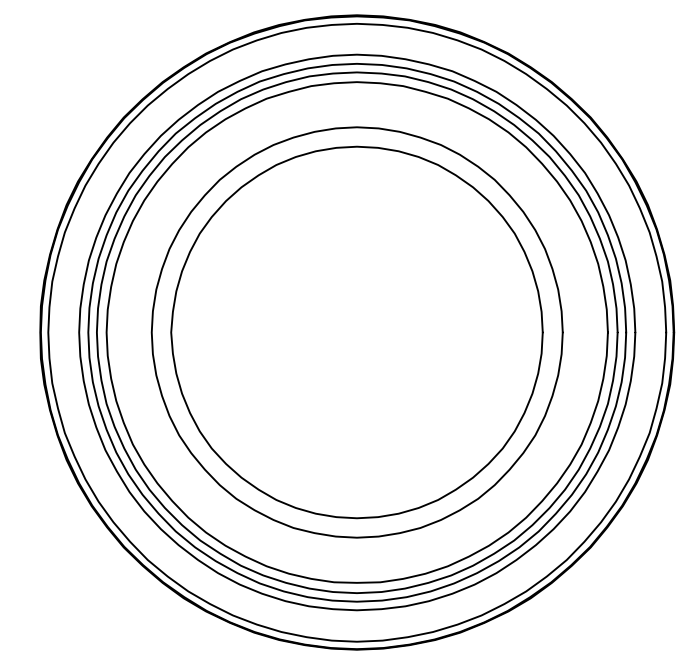
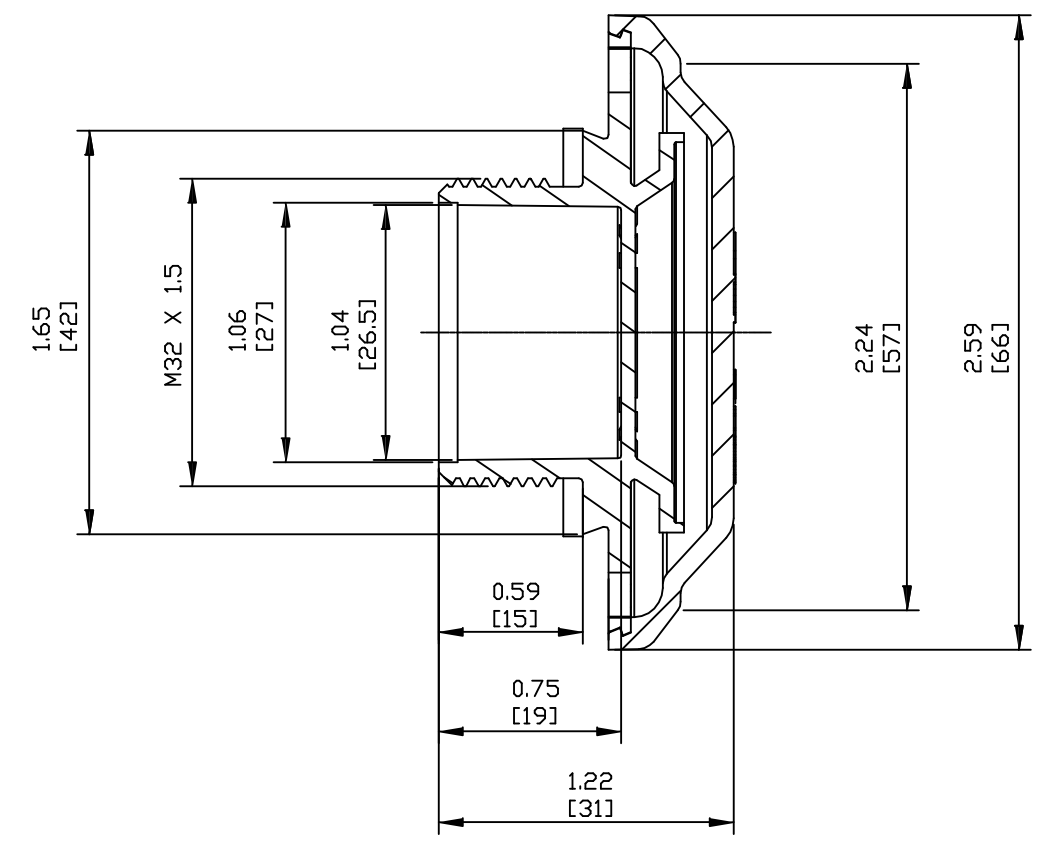
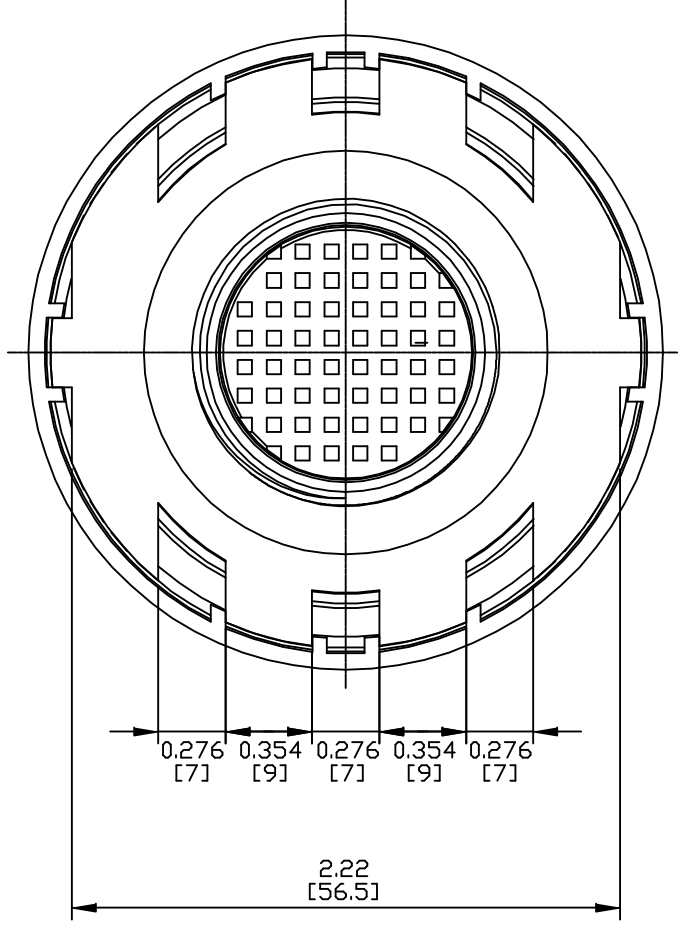
PART No.

IPV-67321-B

REV. DATE

5/30/19

SECTION A-A



NOTES:

- 1- BODY MATERIAL - PC (IP67)
- MEMBRANE MATERIAL - e-PTFE
- FLAT SEAL WASHER MATERIAL- SILICONE
- 2- FINISH - BLACK
- 3- DIMENSIONS ARE INCH [MM]

DRAWING FOR REFERENCE

WE RESERVE THE RIGHT TO MAKE CHANGES TO OUR STANDARD PRODUCTS. PLEASE CONSULT WITH BUD INDUSTRIES PRIOR TO USING THIS DRAWING FOR DESIGN PURPOSE.