



Datasheet

RS PRO 10 mtr USB 3.0 A Male to A Female Active Cable - Black

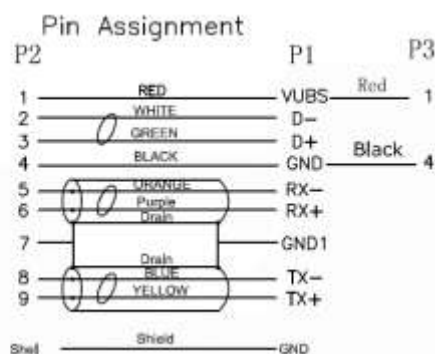
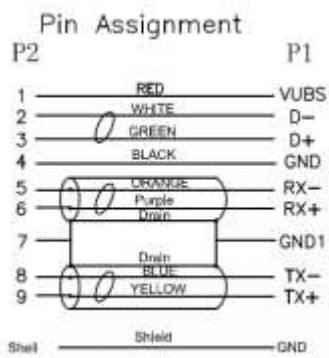
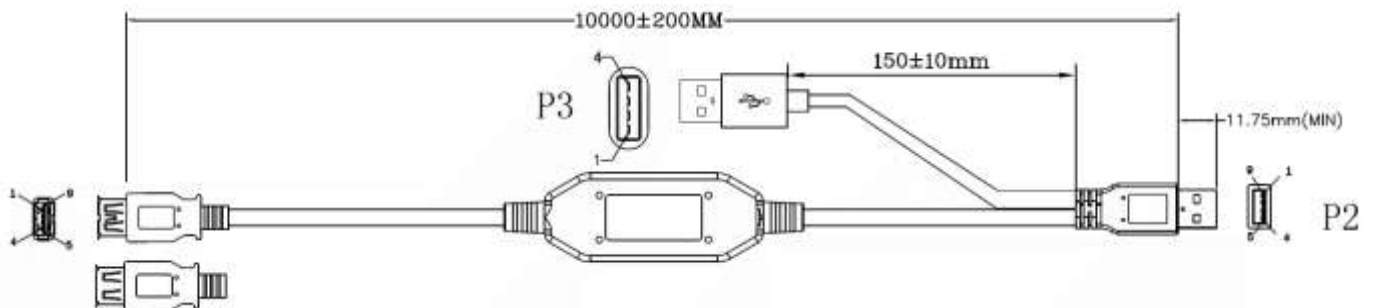
Stock number: 2206504

EN

The RSPRO 10 metre USB 3.0 A male to USB 3.0 A female active cable, which has a black PVC jacket. The connectors and pins are made from nickel and also have PVC hoods.

The cable flex has copper wire conductors and drain wire, with an aluminium braid, foil shielding and has an extra USB A male for extra power.

USB cables are commonly used to connect a device such as printers, scanners and some external hard drives to a computer.



RoHS / REACH / CE

rspro.com