

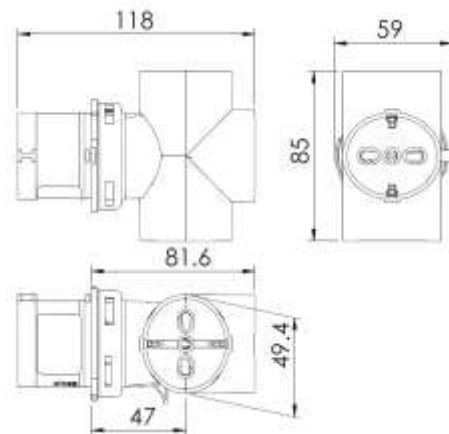
Datasheet

Industrial-Domestic Adaptor (IEC 60309 Plug / Type L - Italian Socket-Outlet (x3))

Stock No:
2144144



Image for reference only



Dimensions in mm

Configuration

| | |
|------------------------|--|
| Inlet/Plug | IEC 60309 Plug 16A 2P+T 230V |
| Outlet / Socket-Outlet | 3x Type L - Italian Socket-Outlet 10/16A 2P+T 230V |

Technical Characteristics

| | |
|----------------------|---|
| Rated Current: | 16 |
| Rated Voltage | 230 |
| Poles | 2P+T |
| IP Protection Degree | IP20 (IEC / EN 60529) |
| Glow Wire Test | 850°C live parts supports /650°C other parts |
| Material | Housing: PA6/ABS |
| Product Standard | IEC/EN 60309-1, IEC/EN 60309-2 CEI 23-50 EN 50250 |
| Note | For Temporary Use Only |