



PART NAME

DIN RAIL BOX

PART No.

DMB-4775

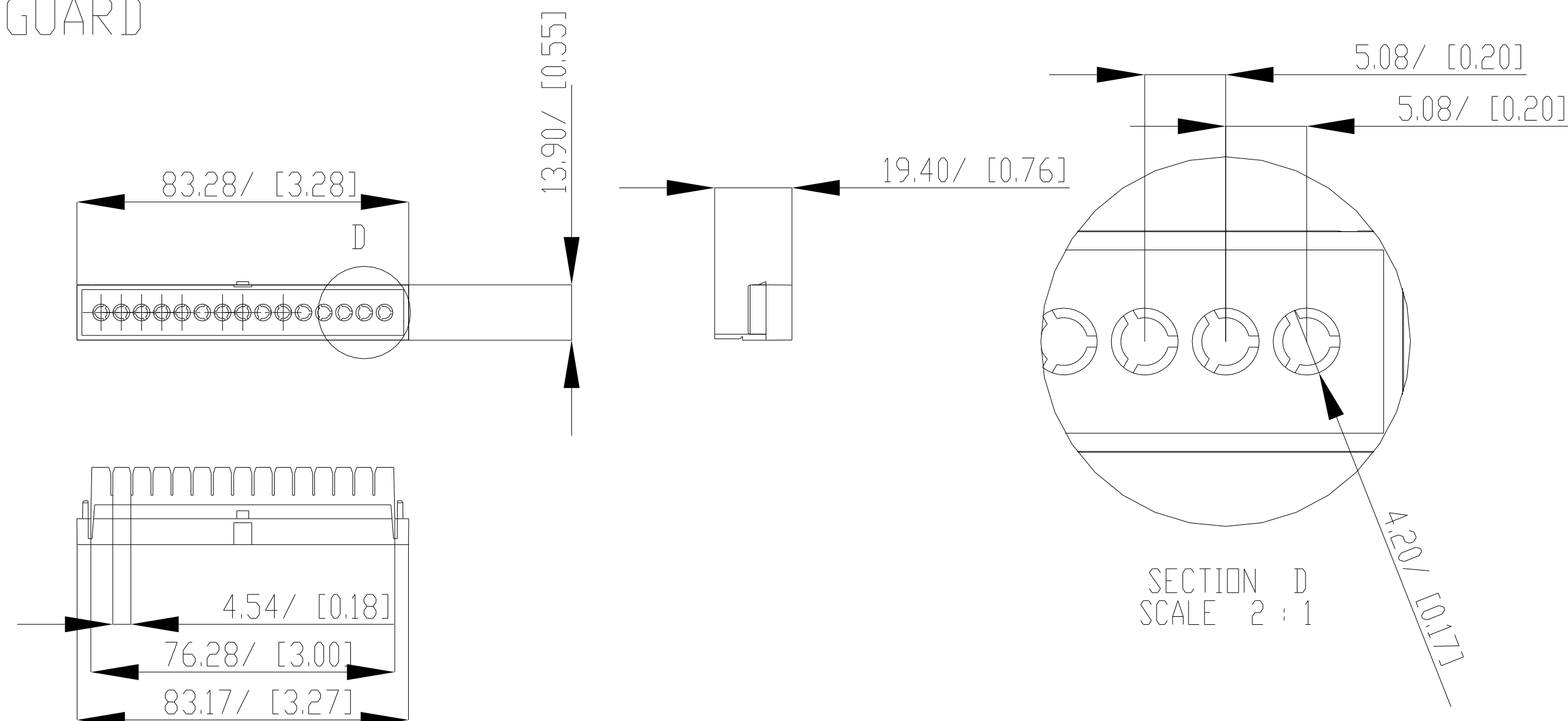
REV. DATE

3-22-18

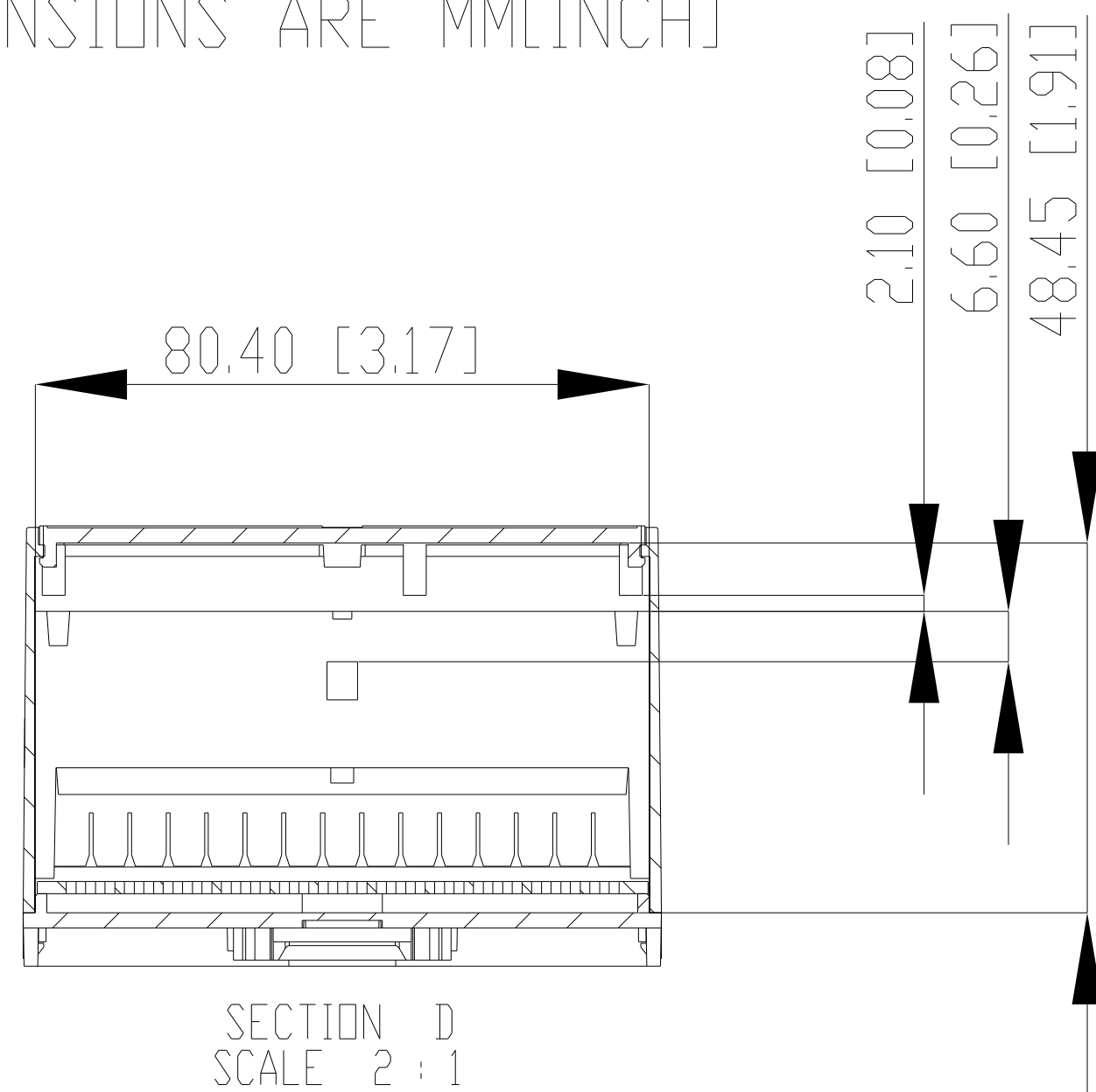
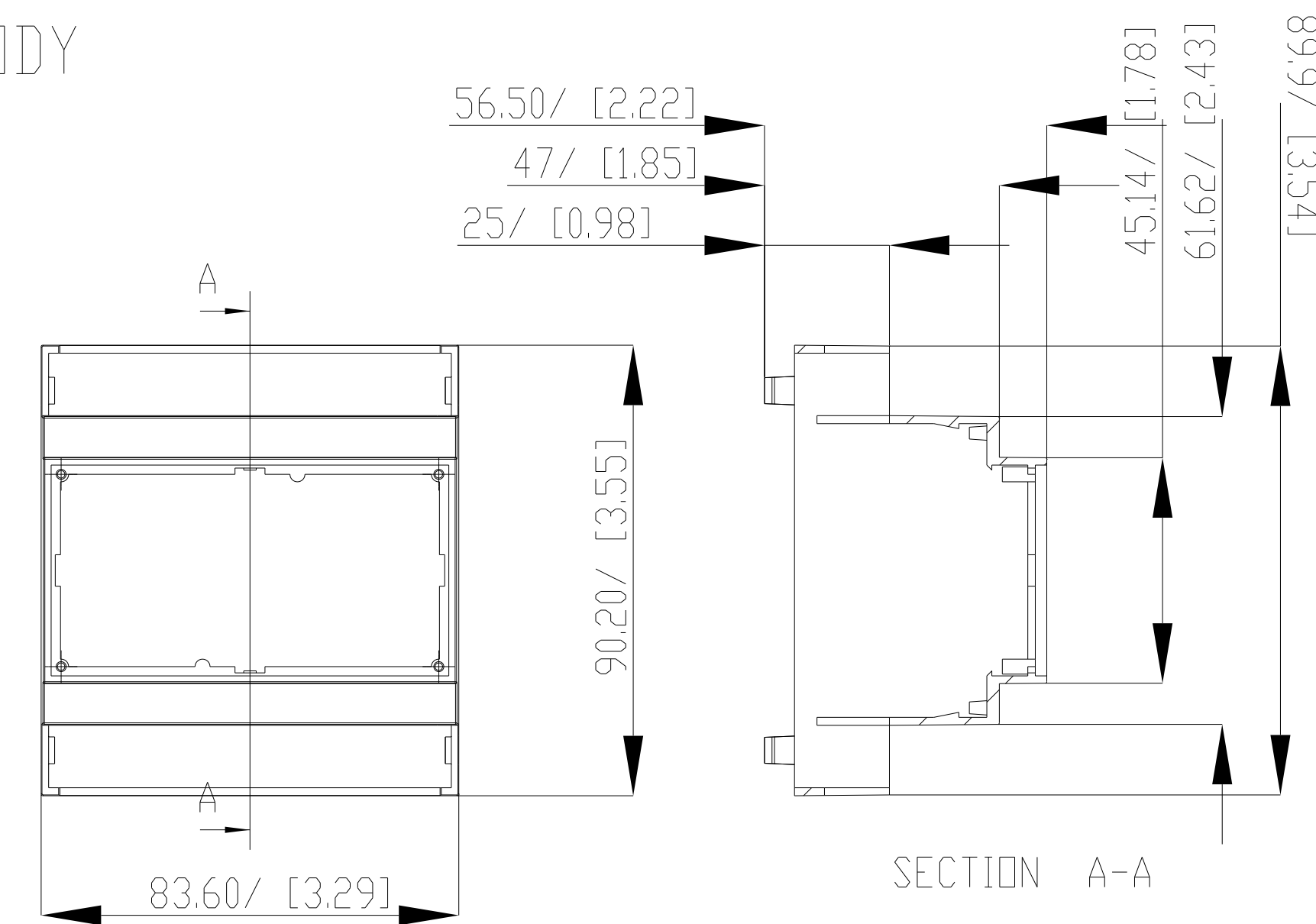
DRAWING FOR REFERENCE
WE RESERVE THE RIGHT TO MAKE CHANGES TO OUR
STANDARD PRODUCTS. PLEASE CONSULT WITH BUD INDUSTRIES
PRIOR TO USING THIS DRAWING FOR DESIGN PURPOSES

MATERIAL: BODY, BASE, COVER,
AND GUARDS - PC/ABS
MOUNTING CLIP - NYLON66
DIMENSIONS ARE MM[INCH]

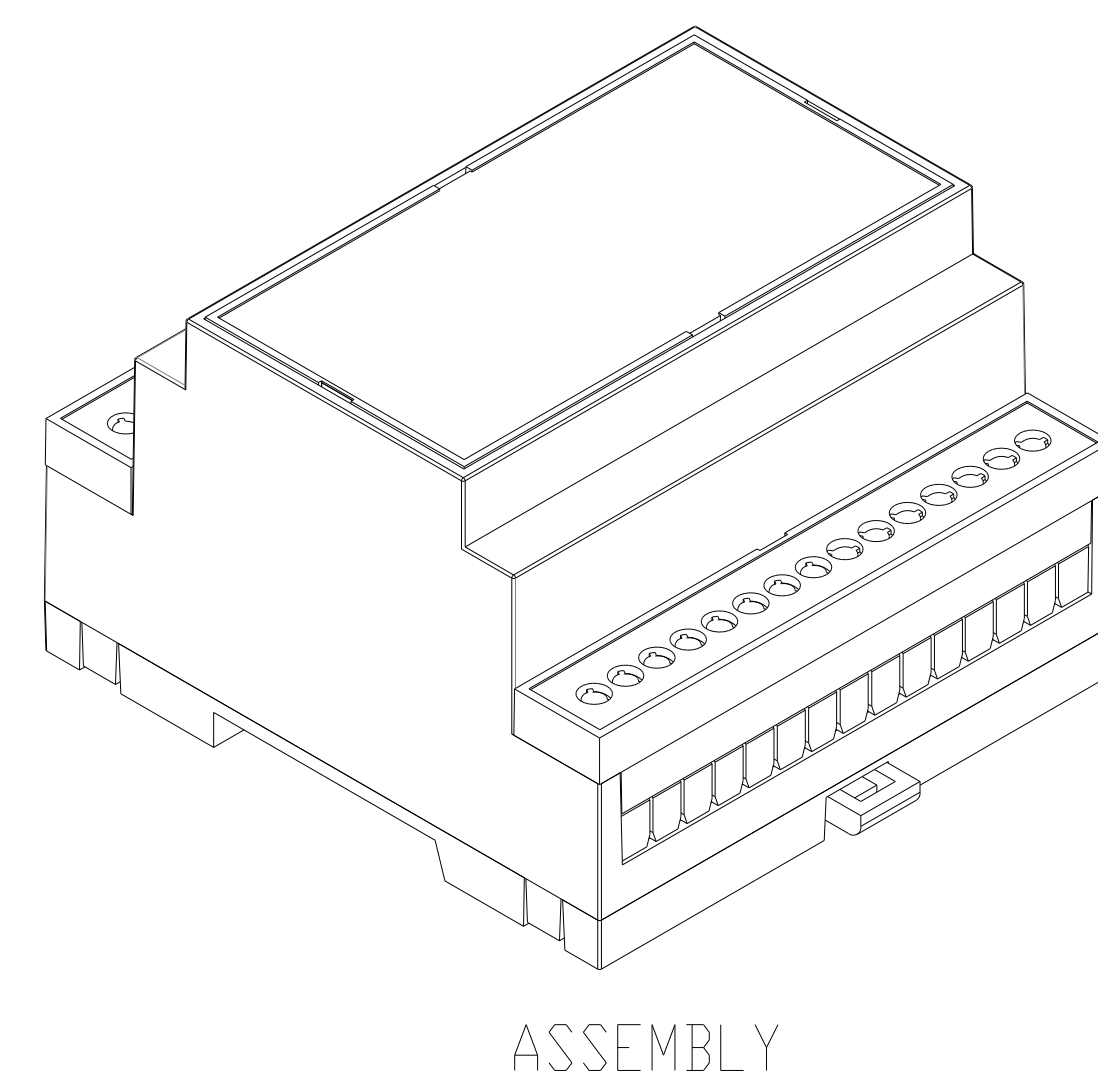
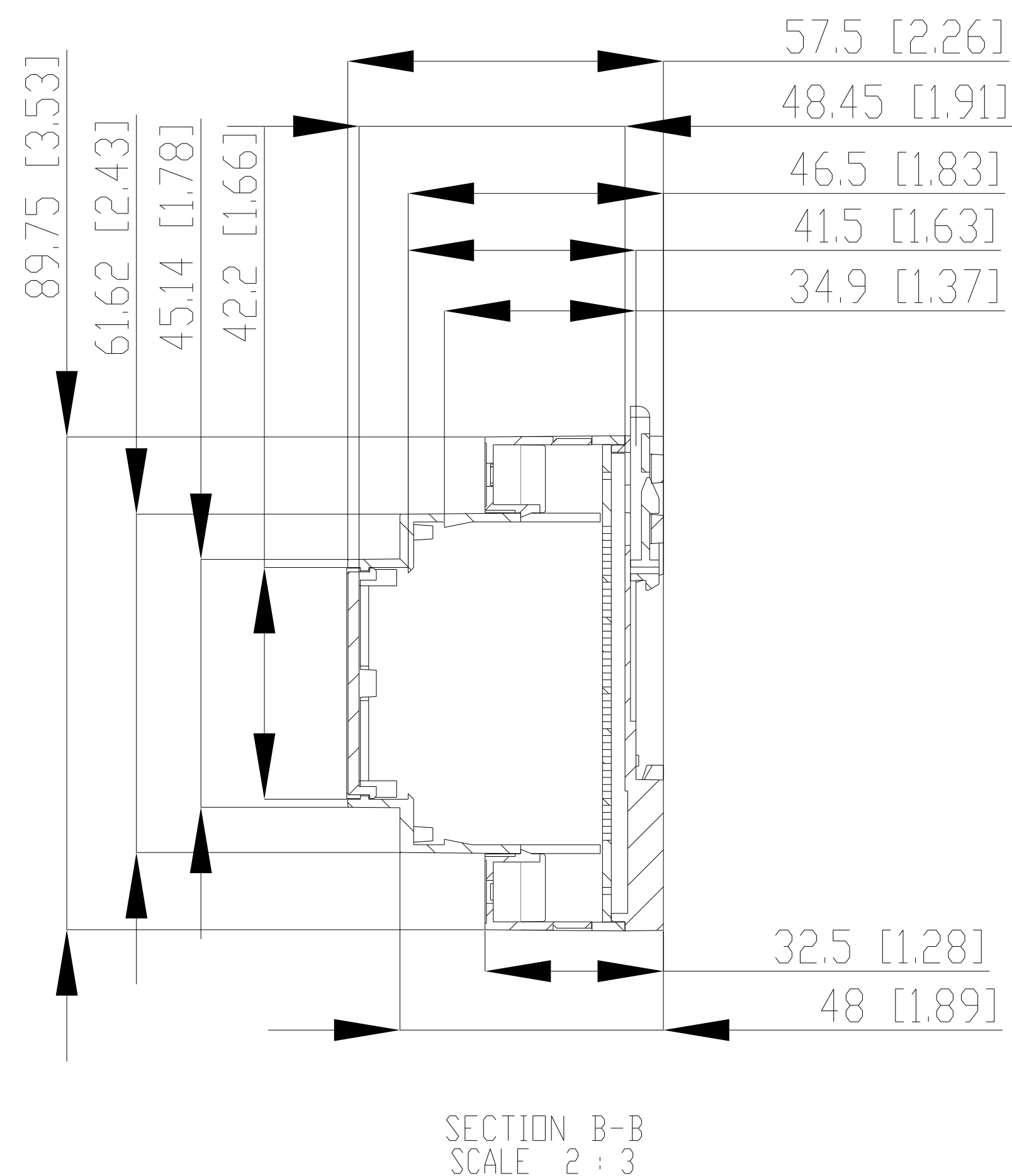
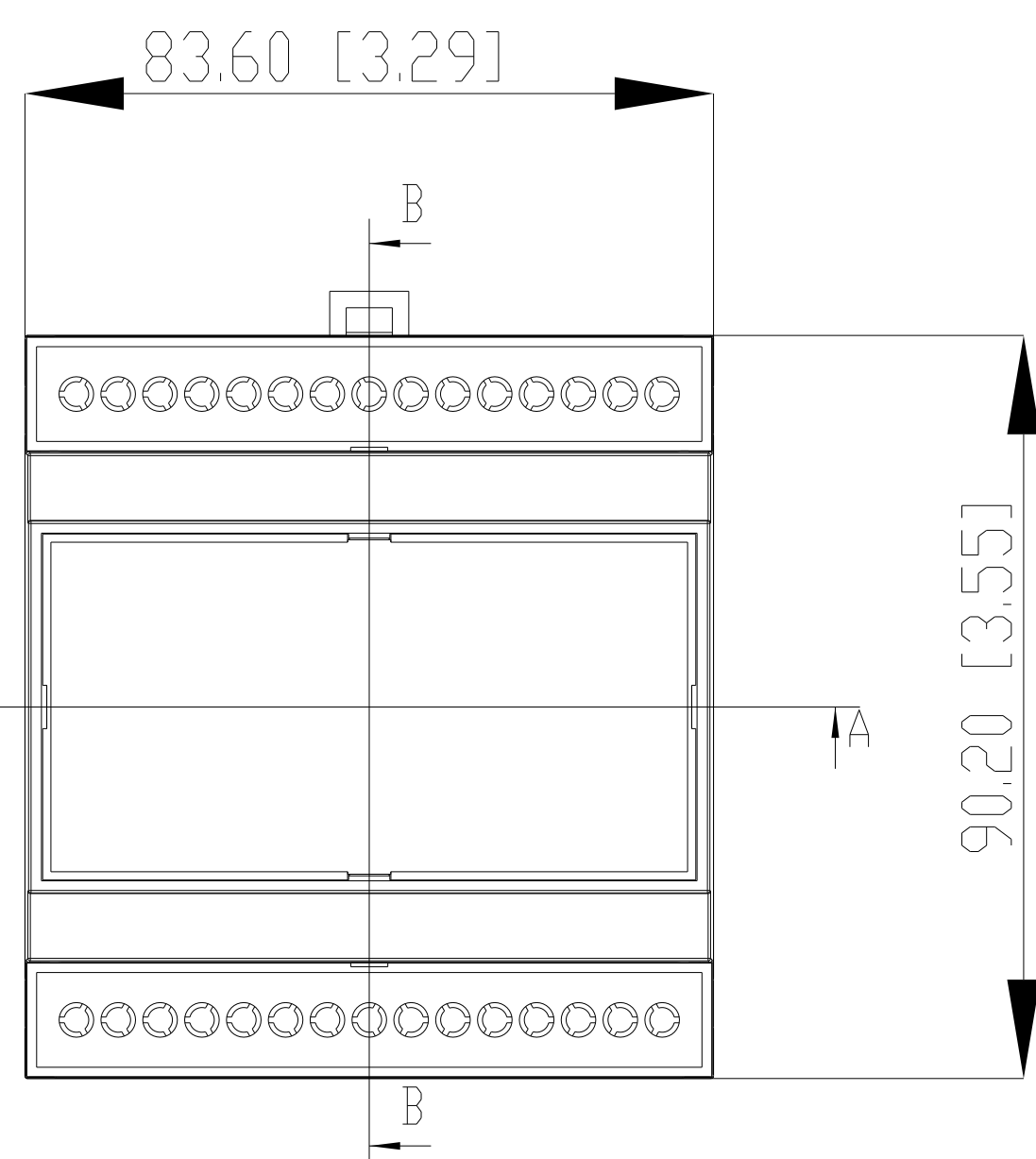
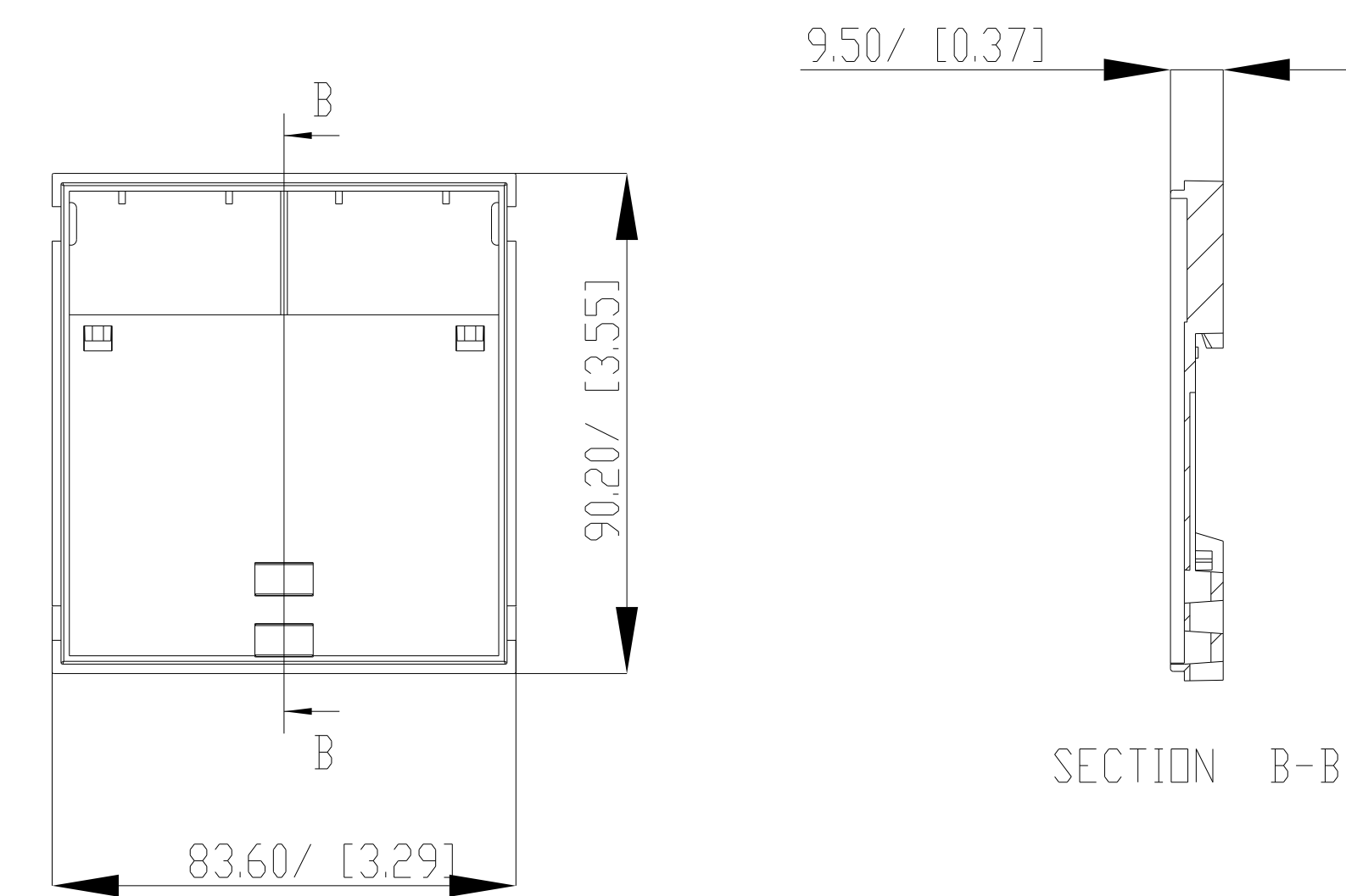
GUARD



BODY



BASE



ASSEMBLY

COVER

