

Datasheet**Wall-Mount Industrial Socket-outlet**

Stock No:
2144235



Image for reference only

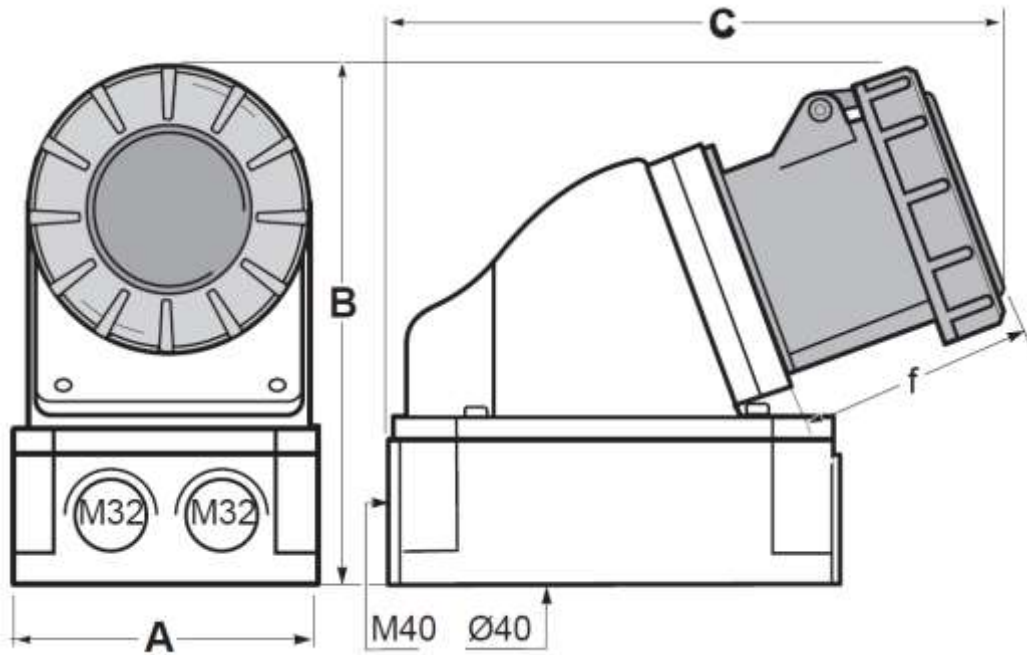
Technical Characteristics

Rated Current:	63
Rated Voltage	380-415
Poles	4P (3P+T)
Clock Position	6h
Rated Frequency	50/60Hz
Insulating Resistance	>10MΩ@500Vdc
Dielectric Stength	2,5kV 60s
IP Protection Degree	IP67 (IEC / EN 60529)
Operating Temperature	-25°C/ 40°C
Glow Wire Test	850°C live parts supports / 650°C other parts (IEC/EN 60695-2-10)
Material	Housing: PA6/ABS
Product Standard	IEC/EN 60309-1, IEC/EN 60309-2

Datasheet

Wall-Mount Industrial Socket-outlet

Stock No: 24394-RSC



Dimensions in mm

A	B	C	D	E	F	G	ØK
118	200	220	-	-	82	-	-