

RACON 12, THT inside, 3,6 \pm 0,7 N, 1 NO

DISCONTINUED



fields of application

- › Measurement-control-regulation
- › Mechanical and system engineering
- › Automotive
- › Electro-medical

special features

- › Gold contacts, reliable switching with low currents
- › Special tactile feedback
- › Different operating forces
- › Variable overall heights due to plunger
- › Terminal technology: SMT or THT
- › Traceability through product identification



description

Our top-quality RACON 12 tactile switches – in the dimensions 12 x 12 mm – feature an unmistakable click, high switching reliability, and a sealed contact system. That has made RACON the standard in many industries. Whether for automotive applications, systems with keycaps, or membrane keyboards, RACON impresses in the THT or SMT versions – for your application too.

RACON 12 tactile switches can be arranged individually, in rows or as key blocks. When used beneath membrane overlays, the RACON key switches should be combined with plungers. Suitable for the most important soldering techniques

- › Soldering bath for THT versions
- › Reflow soldering for SMT versions
- › Vapor phase soldering for SMT versions
- › Manual soldering
- › Processing of the SMT designs with SMT automatic assembly machines
- › IMDS entry

technical data

› general

Color	blue
Operating temperature, min.	-40 °C
Storage temperature, min.	-50 °C
Operating temperature, max.	90 °C
Storage temperature, max.	90 °C
illuminated	No
Soldering time for manual soldering, max.	5 sec
Soldering temperature for manual soldering	350 °C

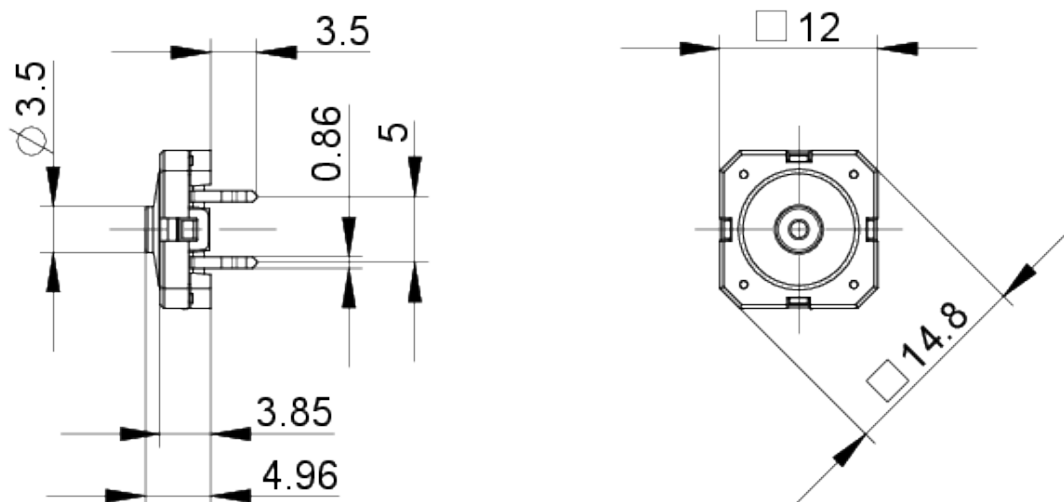
direct links

- › [RAFI eCatalog](#)

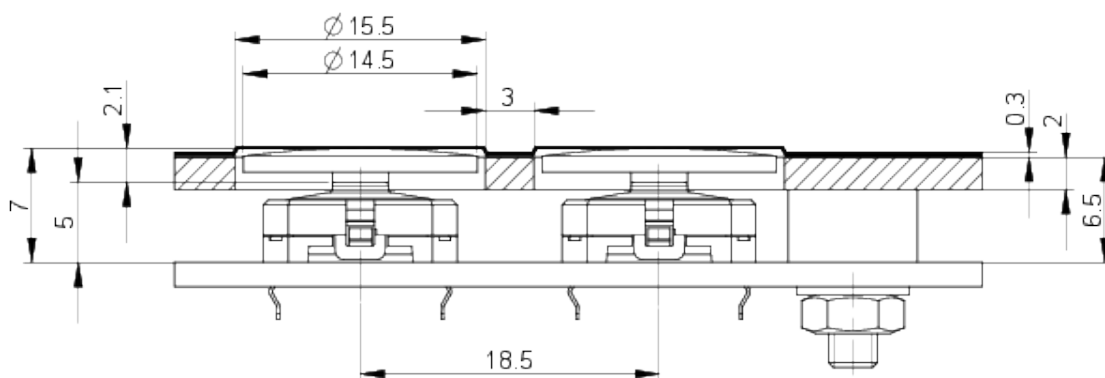
Soldering temperature for wave soldering	260 °C
Soldering	Manual / wave
Solder heat resistance according to standard	DIN EN 60068-2-20
Packaging	Tube
Packaging unit	45 pcs.
net weight	1.2 g
Operating life	1,000,000 cycles
B10	1,300,000 cycles
MSL Moisture Sensitivity Level	1
Corrosive gas testing according to standard	Yes
MOQ order	450 pcs.
RoHS compliant	Yes
REACH compliant	Yes
Component material	Elastomer
> mounting diameters	
Installation height	4.95±0.1 mm
Grid, min.	12,5 x 15,24 mm
Outside dimension, length	12 mm
Outside dimension, width	12 mm
Outside dimension, height	8.45±0.1 mm
> mechanical data	
Actuation function	momentary contact function
Operating force, max.	8 N
Operating force, min.	3,6±0,7 N
Switching travel	0,61±0,1 mm
Contact function	1 NO
Contact system	Snap-action contact
Contact material	Gold
Terminal on the rear	THT inward
Solderability	Yes
> electrical data	
Rated voltage, min.	0.02 V
Rated voltage, max.	35 V
Rated current, min.	0.00001 A
Rated current, max.	0.1 A
Rated power, max.	1 W

drawings

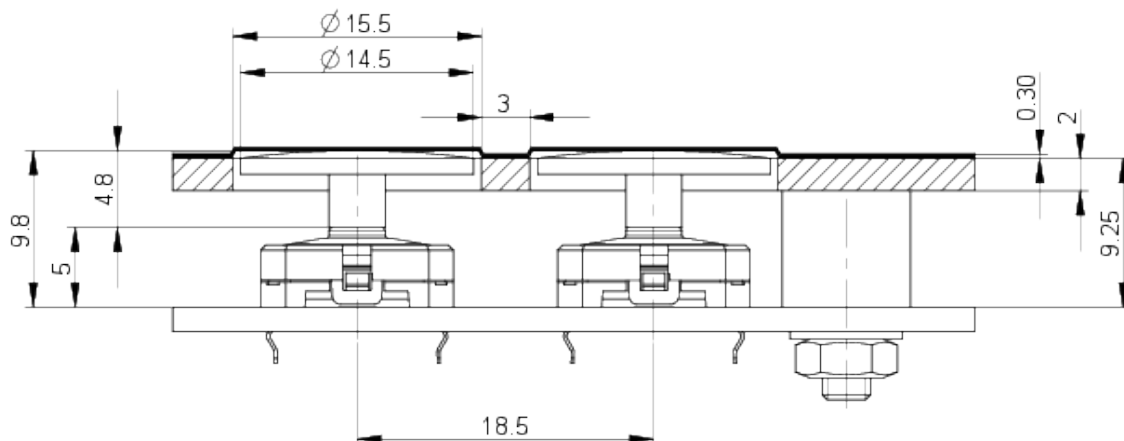
Dimensioned drawing



System drawing



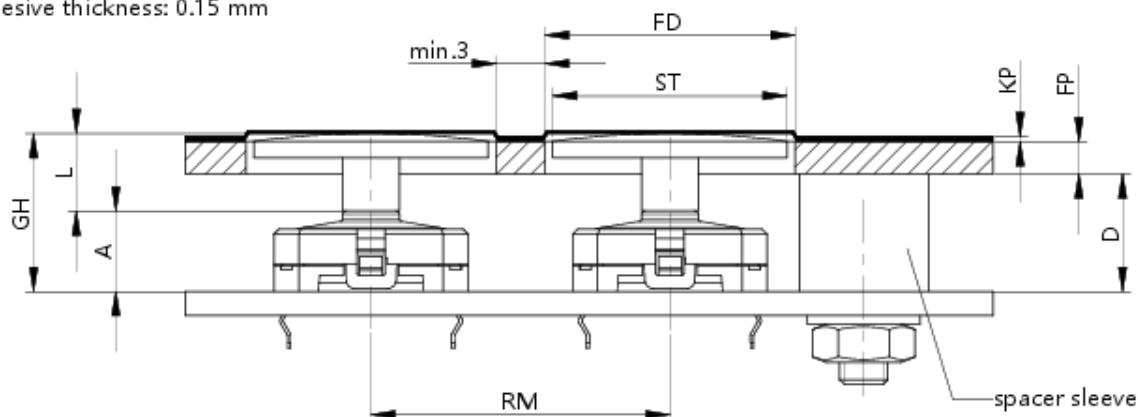
System drawing



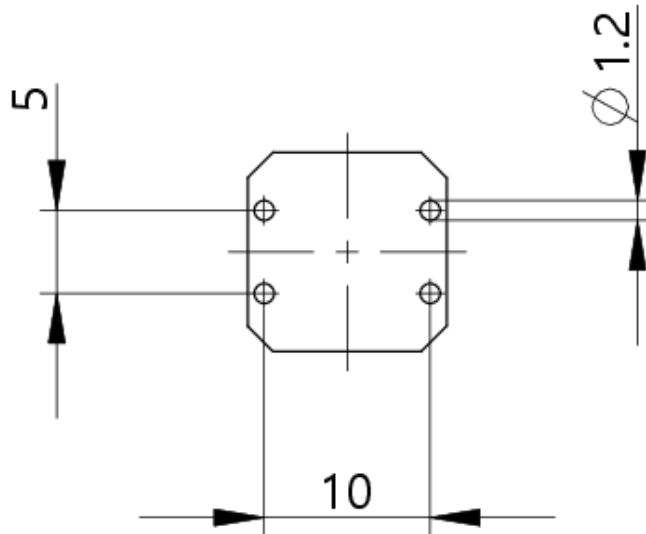
System drawing

THT connection internal

Recommended: Embossing: 0.35 mm
Adhesive thickness: 0.15 mm

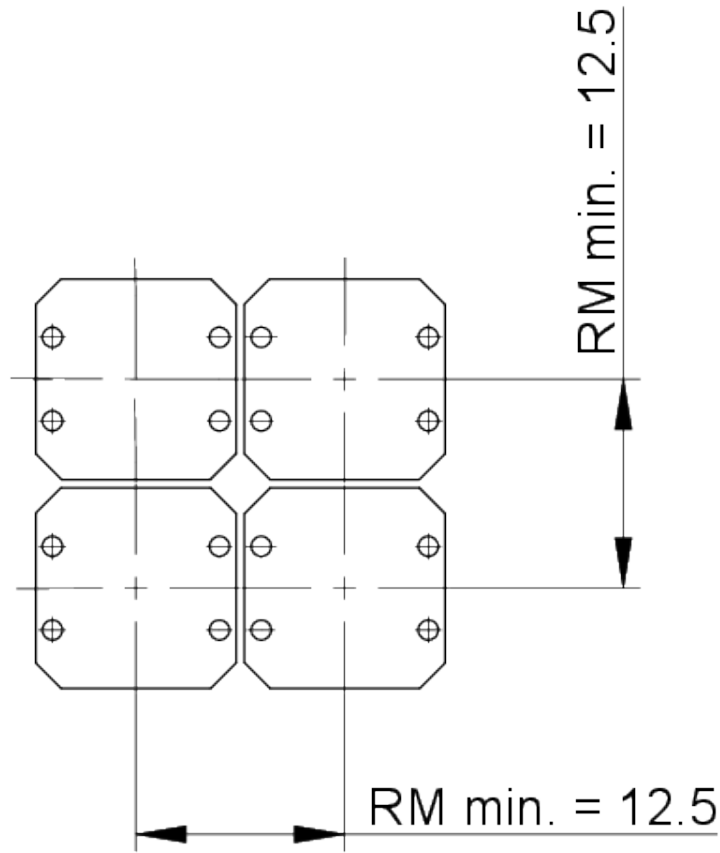


PCB drawing



PCB hole pattern
component side

PCB drawing



Product labeling drawing

