

## 2425

20 Amp, 250 Volt 3-Phase, NEMA L15-20P, 3P, 4W, Flanged Inlet Locking Receptacle, Industrial Grade, Grounding - WHITE

Leviton's industry leading locking devices, such as our Black & White line of industrial grade plugs and connectors and our V-0-Max line of industrial grade flush receptacles, offer superior performance, long lasting reliability and other features that are backed by a lifetime warranty.

### Technical Information

#### AC Horsepower Ratings

**At Rated Voltage :** 3 HP

#### Electrical Specifications

**Amperage :** 20 A

**Current Limiting :** Full Rated Current

**Dielectric Voltage :** Withstands 2000V per UL498

**Grounding :** Grounding

**Phase :** 3-Phase

**Pole :** 3

**Temperature Rise :** Max 30C after 250 cycles OL at 200 percent rated current

**Voltage :** 250 VAC

**Wire :** 4

#### Environmental Specifications

**Environment :** Dry

**Flammability :** Rated V-2 per UL 94

**Operating Temperature :** -40°C to 60°C

#### Material Specifications

**Body Material :** Nylon

**Color :** White

**Face Material :** Nylon

**Grounding Screw :** Brass 8-32

**Line Contacts :** Solid Brass

**Strap Material :** Thermoplastic Nylon

**Terminal Screws :** Brass 10-32

#### Mechanical Specifications

**Product ID :** Ratings and NEMA I.D. permanently marked on device

**Screw Terminal Torque :** 10-14 in-lbs

**Terminal Accom. :** 18-10 AWG

**Terminal ID :** Brass-Hot, Green-Ground, Silver-Neutral

**Termination :** Back

#### Product Features

**Brand :** Black and White

**Color :** White

**Device Type :** Locking Flanged Inlet

**NEMA :** L15-20P

#### Standards and Certifications

**ANSI :** C-73

**CSA C22.2 No. 42 :** File LR-406

**NEMA :** WD-6

**NOM :** 057

**UL Fed Spec WC-596 :** File E13393

**UL498 :** File E13393

**Warranty :** Limited Lifetime Warranty  
Warranty



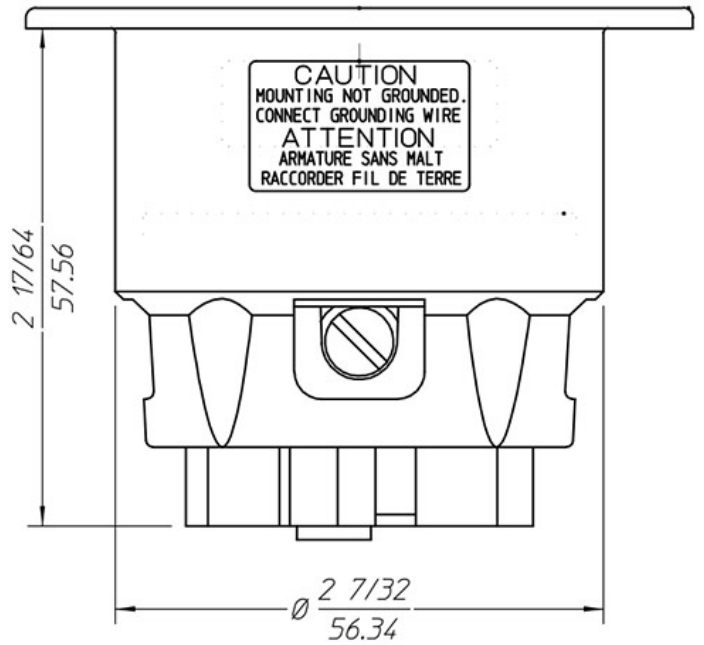
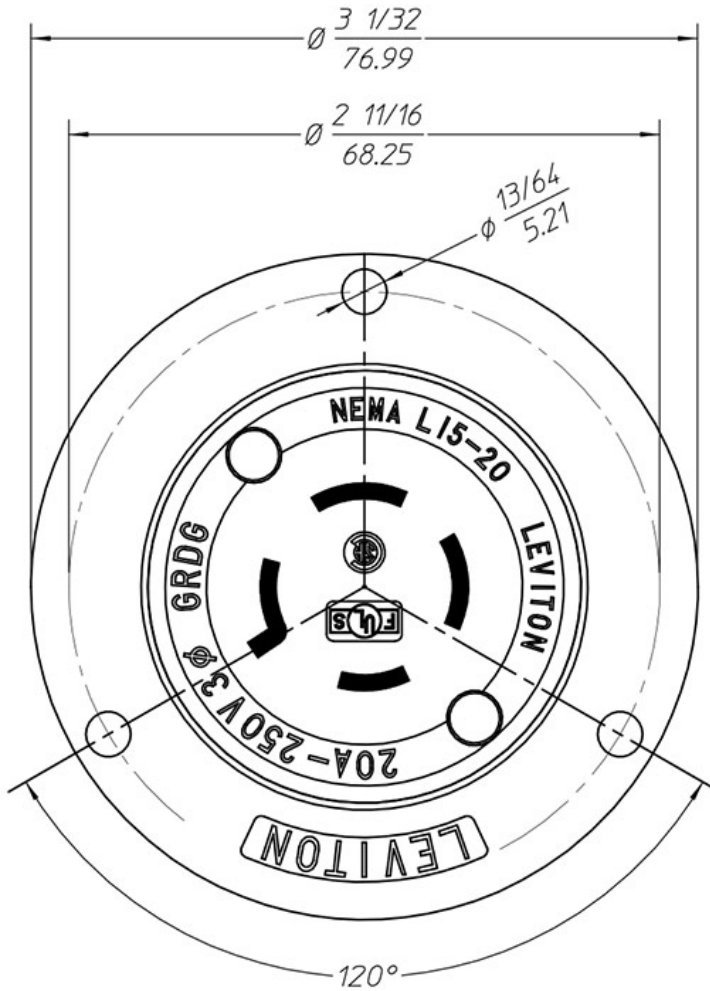
**UPC Code :** 078477806272

**Country Of Origin :** United States

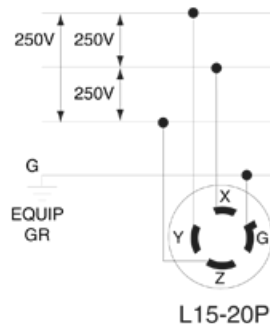
**RoHS Compliant :** Yes



# Cat No: 2425



Upper Value: INCH  
Lower Value: mm



## SPECIFICATION SUBMITTAL

|                                     |  |                      |
|-------------------------------------|--|----------------------|
| JOB NAME:<br><input type="text"/>   | CATALOG NUMBERS:<br><input type="text"/> |                      |
| JOB NUMBER:<br><input type="text"/> | <input type="text"/>                     | <input type="text"/> |

**Leviton Manufacturing Co., Inc.**

201 North Service Road, Melville, NY 11747

Telephone: +1-800-323-8920 · FAX: +1-800-832-9538 · Tech Line (8:30AM-7:30PM E.S.T. Monday-Friday):

+1-800-824-3005

**Leviton Manufacturing of Canada, Ltd.**

165 Hymus Boulevard, Pointe Claire, Quebec H9R 1E9 · Telephone: +1-800-469-7890 ·

FAX: +1-800-824-3005 · [www.leviton.com/canada](http://www.leviton.com/canada)

**Leviton S. de R.L. de C.V.**

Lago Tana 43, Mexico DF, Mexico CP 11290 · Tel.: (+52)55-5082-1040 · FAX: (+52)5386-

1797 · [www.leviton.com.mx](http://www.leviton.com.mx)

Visit our Website at: [www.leviton.com](http://www.leviton.com)

© 2021 Leviton Manufacturing Co., Inc. All Rights Reserved. Subject to change without notice.

**Leviton has a global presence.**

If you would like to know where your local Leviton office is located please go to:

[www.leviton.com/international/contacts/](http://www.leviton.com/international/contacts/)

