

## 3769

50 Amp, 250 Volt DC/600 Volt AC, Non-NEMA, 3P, 4W, Black & White Locking Flush Mount Receptacle, Industrial Grade, Grounding - BLACK



UPC Code : 078477804445

Country Of Origin : Mexico

RoHS Compliant : Yes

Leviton's Industrial Grade Locking Devices are built to provide unparalleled quality and superior performance in the most severe industrial settings. Leviton combines the best materials available with superior production standards to produce a broad selection of Locking Devices of unmatched flexibility and dependability.

### Technical Information

#### Electrical Specifications

**Amperage** : 50 A

**Current Interrupting** : Certified for current interrupting at full rated current

**Current Limiting** : Full Rated Current

**Dielectric Voltage** : Withstands 2000V per UL498

**Dielectric Voltage Withstand** : 2000V minimum per UL 498

**Grounding** : Grounding

**Maximum Working Voltage** : 250V DC/600V AC as rated

**Pole** : 3

**Temperature Rise** : Max 30°C temp rise at full-rated current after 150 cycles of OL at 150% rated DC current

**Voltage** : 250 VAC

**Wire** : 4

#### Environmental Specifications

**Environment** : Dry

**Flammability** : Rated V-0 per UL 94

**Operating Temperature** : -40°C to 75°C

#### Material Specifications

**Assembly Rivets** : SS 302/304

**Back Cover** : Reinforced Nylon

**Base Material** : Nylon

**Body & Contract Carrier** : Reinforced Nylon

**Box Terminal** : 0.062inch thick Copper

**Clamp Nuts** : Brass

**Color** : Black

**Connector Contact - Binding Plate** : 0.100inch thick Brass

**Connector Contact - Spring** : 0.041inch thick Brass

**Contact Rivet** : Brass

**Face Material** : Nylon

**Face Module** : Reinforced Nylon

**Grounding Screw** : Brass

**Line Contacts** : Brass

**Mounting Screws** : SS 302/304

**Mounting Strap** : Single piece SS 302/304

**Shroud** : .062inch thick Nickel Plated Steel

**Terminal Screws** : Brass

**Terminal Set Screw** : SS 302/304

**Yoke** : Brass

#### Mechanical Specifications

**Product ID** : Ratings and Catalogue No. molded into face

**Terminal Accom.** : #10min to #6max AWG Solid or Stranded Wire (Stranded Wire for Ground only)

**Terminal ID** : X, W, Y, Z and Green for ground

#### Product Features

**Base Material** : Nylon

**Brand** : Black and White

**Color** : Black

**Device Type** : Locking Receptacle

**Face Material** : Nylon

**NEMA** : Non-NEMA

**Standards and Certifications** : UL

**Strap Material** : Nickel-Plated Brass

**Termination** : Back & Side

**Warranty** : Lifetime Limited

#### Standards and Certifications

**ANSI** : C-73

**CSA C22.2 No. 42** : File 152105

**NEMA** : WD-6

**NOM** : 057

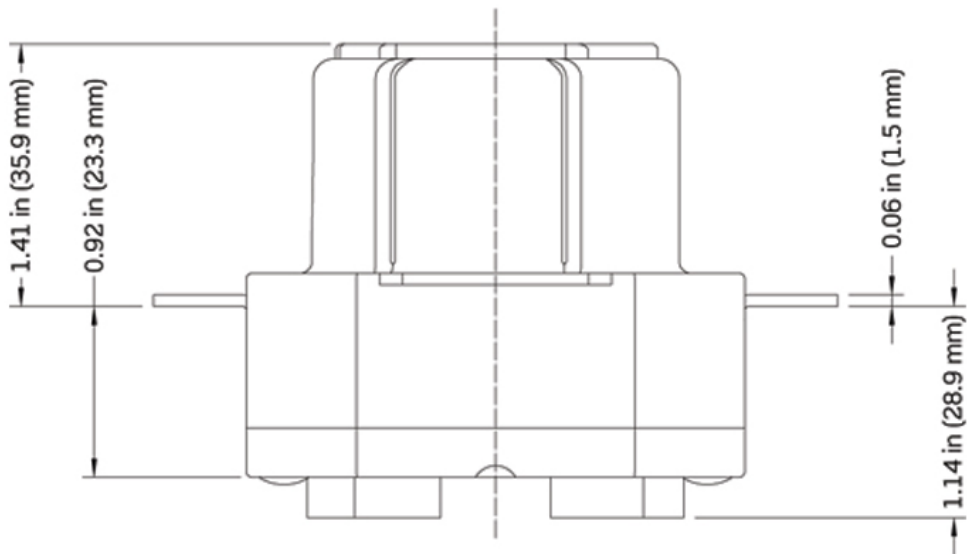
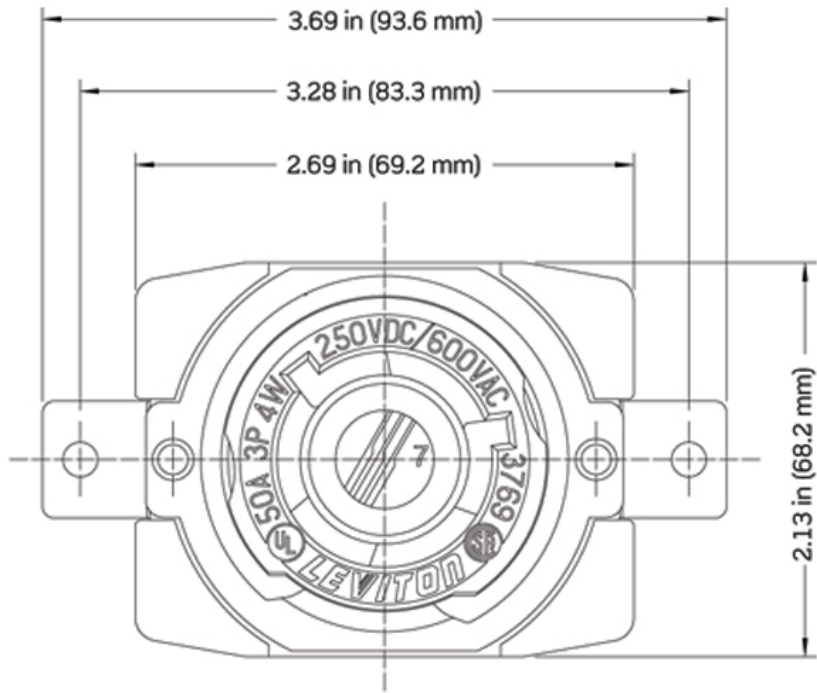
**RoHS** : Compliant

**UL 498** : File E13399

**UL Fed Spec WC-596** : File E13399

**UL498** : File E13399

**Warranty** : Lifetime Limited



**SPECIFICATION SUBMITTAL**

JOB NAME: <input type="text"/>	CATALOG NUMBERS: <input type="text"/>	
JOB NUMBER: <input type="text"/>	<input type="text"/>	<input type="text"/>

**Leviton Manufacturing Co., Inc.**

201 North Service Road, Melville, NY 11747

Telephone: +1-800-323-8920 · FAX: +1-800-832-9538 · Tech Line (8:30AM-7:30PM E.S.T. Monday-Friday):  
+1-800-824-3005

**Leviton Manufacturing of Canada, Ltd.**

165 Hymus Boulevard, Pointe Claire, Quebec H9R 1E9 · Telephone: +1-800-469-7890 ·

FAX: +1-800-824-3005 · [www.leviton.com/canada](http://www.leviton.com/canada)

**Leviton S. de R.L. de C.V.**

Lago Tana 43, Mexico DF, Mexico CP 11290 · Tel.: (+52)55-5082-1040 · FAX: (+52)5386-

1797 · [www.leviton.com.mx](http://www.leviton.com.mx)

**Visit our Website at: [www.leviton.com](http://www.leviton.com)**

© 2021 Leviton Manufacturing Co., Inc. All Rights Reserved. Subject to change without notice.

**Leviton has a global presence.**

If you would like to know where your local Leviton office is located please go to:

[www.leviton.com/international/contacts/](http://www.leviton.com/international/contacts/)

