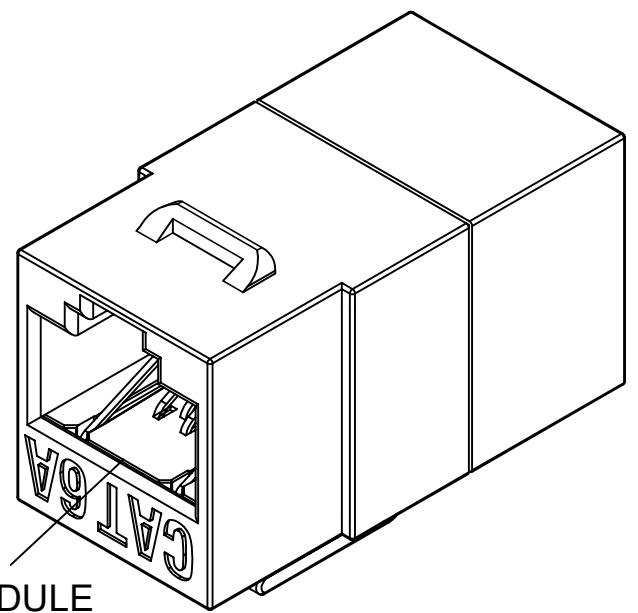
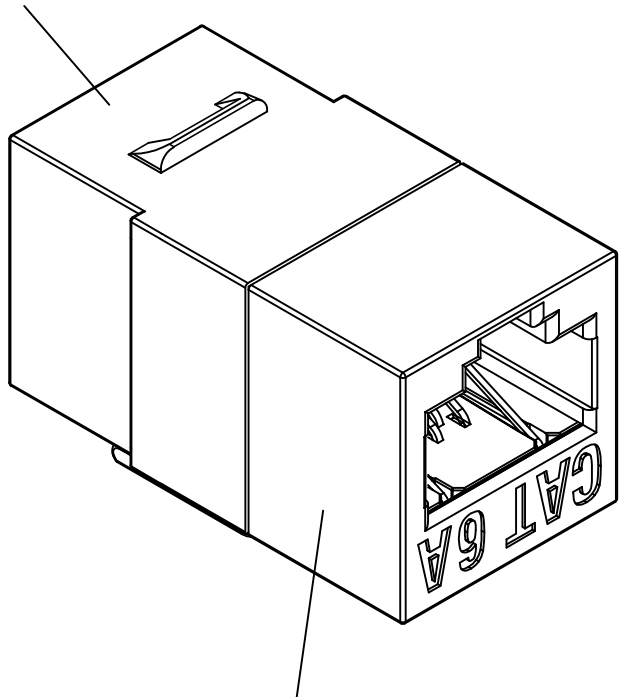


DATE	REV	ECN	APP'D. BY
11/5/20	A0	Released	AB

ISOMETRIC VIEW



JACK HOUSING LEFT



JACK HOUSING RIGHT

TRANSMISSION PERFORMANCE
 Meet all requirement specified in channel requirement of:
 ISO/IEC 11801 , Class E_A
 ANSI/TIA-568-C.2, Category 6A

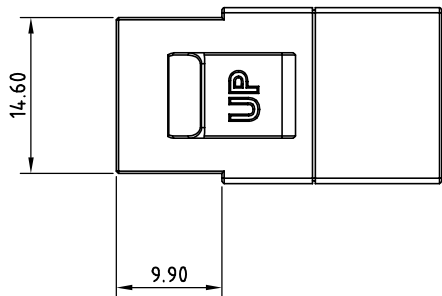
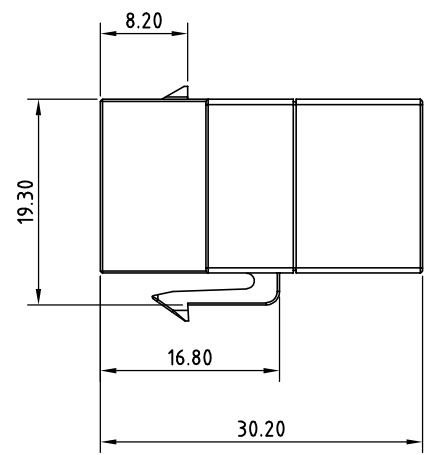
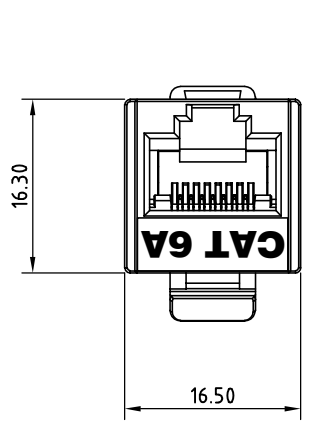
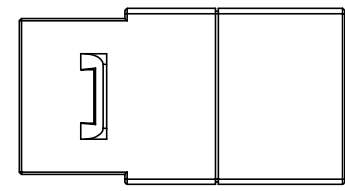
ELECTRICAL
 Electrical Insulation Resistance : 500 MΩ min. @ 100V d.c
 Dielectric Withstanding Voltage : 1000V d.c. or a.c. Peak Contact to Contact @ 60Hz for 1 minute

MECHANICAL
 Insertion / Extraction Life : 750 Cycles Minimum

PHYSICAL
 Housing : High-Impact, Flame-Retardant Plastic, UL 94V-0
 Spring Wire : Phosphor Bronze Alloy Plated With 50 micro-inch of Gold

INSERT MODULE

ASSEMBLY DIMENSION

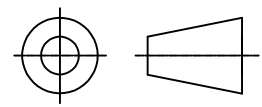


COMPONENTS

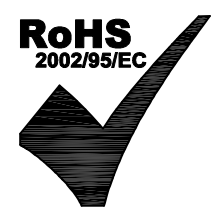
ITEM	PART NAME	Q'TY
3	INSERT MODULE	2
2	JACK HOUSING LEFT	1
1	JACK HOUSING RIGHT	1

SS-82020-001
PART NUMBER

THIRD ANGLE PROJECTION



206 Van Vorst Street
 Jersey City, NJ 07302
 +1 201 432 0463
<http://www.belfuse.com>



DO NOT SCALE DRAWING
 DRAWING IS SUBJECT TO CHANGE WITHOUT NOTICE
 DIMENSIONS: METRIC
 UNLESS OTHERWISE SPECIFIED TOLERANCES ARE ±0.2 ANGLS ARE ± 1°
 SHEET NO. 1 OF 1

TITLE: CAT 6A UNSHIELDED KEYSTONE COUPLER JACK
 THIS DRAWING AND THE SUBJECT MATTER SHOWN THEREON ARE CONFIDENTIAL AND THE PROPRIETARY PROPERTY OF BEL FUSE, INC. AND SHALL NOT BE REPRODUCED, COPIED, OR USED IN ANY MANNER WITHOUT PRIOR WRITTEN CONSENT OF BEL FUSE, INC.

DRN BY: JE	DATE 10/28/20
APPD BY: AB	DATE 11/5/20
DWG NO. CT820037	REV. A0