

Breaker VLVAR DEPTH red 1 3R 4x 12 NP

Model				
product brand name	SENTRON			
Accessories				
accessories	Accessories			
Mechanical Design				
net weight	1.62 kg			
General Product Approval		EMC	Declaration of Conformity	Test Certificates

[Miscellaneous](#)



[Special Test Certificate](#)

Marine / Shipping

other



[Confirmation](#)

[Environmental Confirmations](#)

other

[Miscellaneous](#)

Further information

Information- and Downloadcenter (Catalogs, Brochures,...)

<http://www.siemens.com/lowvoltage/catalogs>

Industry Mall (Online ordering system)

<https://mall.industry.siemens.com/mall/en/en/Catalog/product?mfb=3VL9800-3JE01>

Service&Support (Manuals, Certificates, Characteristics, FAQs,...)

<https://support.industry.siemens.com/cs/ww/en/ps/3VL9800-3JE01>

Image database (product images, 2D dimension drawings, 3D models, device circuit diagrams, ...)

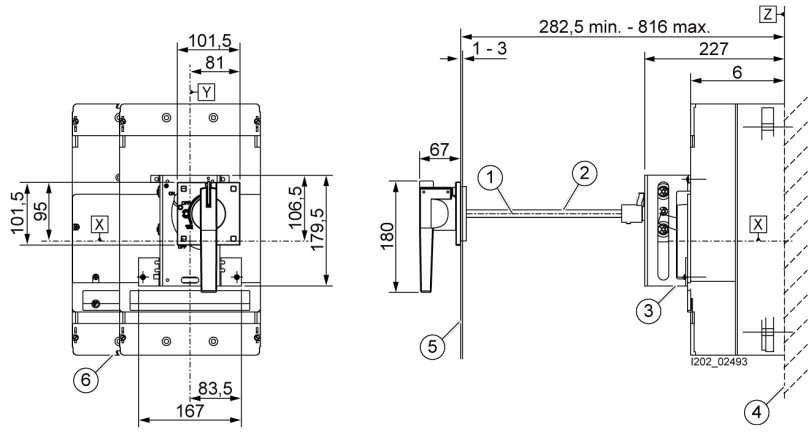
http://www.automation.siemens.com/bilddb/cax_en.aspx?mfb=3VL9800-3JE01

CAx-Online-Generator

<http://www.siemens.com/cax>

Tender specifications

<http://www.siemens.com/specifications>



- ① Center line of operating mechanism shaft
- ② Operating mechanism shaft
- ③ Switching mechanism
- ④ Installation level
- ⑤ External surface of cabinet door
- ⑥ Circuit breaker with door-coupling rotary operating mechanism



