

# 2-Colour Display High Precision Digital Pressure Switch



RoHS

IP65

**New**  
M8 connector type



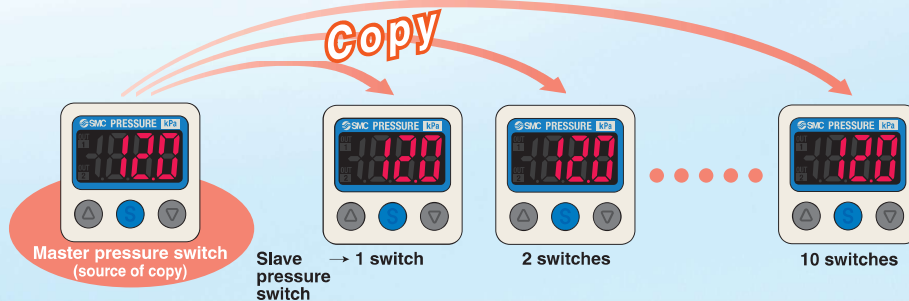
Applicable fluid

Air, Non-corrosive gas, Non-flammable gas

Can copy to up to **10** switches simultaneously.

The settings of the master pressure switch (source of copy) can be copied to the slave pressure switches.

- Reduction in setting work
- Prevention of mistakes in setting

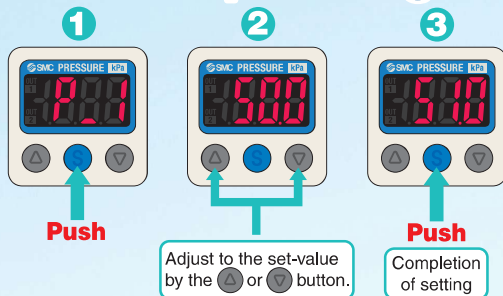


Easy handling!



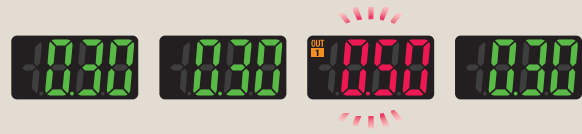
Raised rubber switch buttons for easy and comfortable operation

**3-step setting**



**2-colour display**

See abnormal values at a glance.

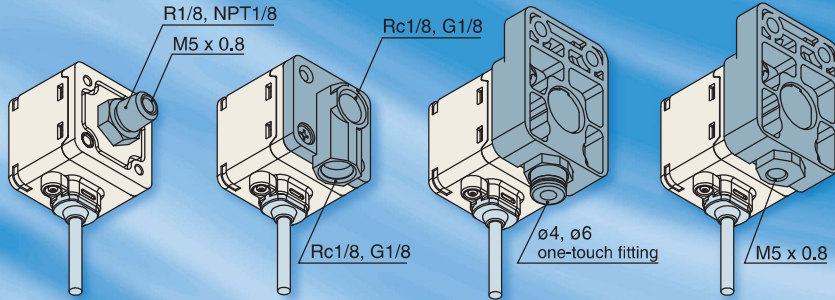


Series **ZSE40A(F)/ISE40A**

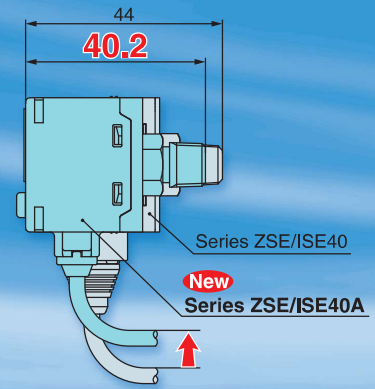


CAT.EUS100-79Aa-UK

## Piping Variations

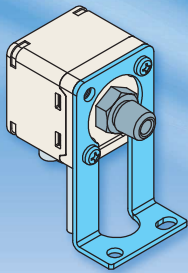


## Space-saving

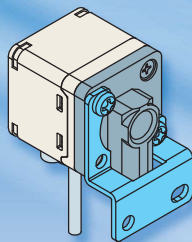


## Mounting Variations

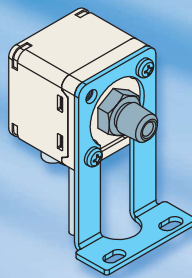
Bracket A



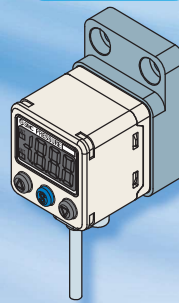
Bracket B



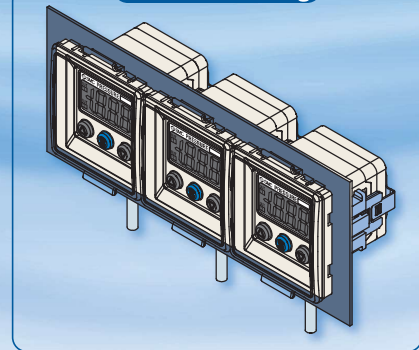
Bracket D



Direct mounting  
(Wall mounting)



Panel mounting



Interchangeable with the ZSE40/ISE40 series for mounting

## Series

Series	ZSE40A (vacuum pressure)	ZSE40AF (compound pressure)	ISE40A (positive pressure)
Rated pressure range	0.0 to -101.3 kPa -101 kPa	-100.0 to 100.0 kPa 100 kPa -100 kPa	-0.100 to 1.000 MPa 1 MPa -0.1 MPa (-100 kPa)
Set pressure range	10.0 to -105.0 kPa	-105.0 to 105.0 kPa	-0.105 to 1.050 MPa
Withstand pressure	500 kPa	500 kPa	1.5 MPa
Min. unit setting	0.1 kPa	0.1 kPa	0.001 MPa
Output	<ul style="list-style-type: none"> <li>NPN or PNP open collector 2 outputs + Copy function</li> <li>NPN or PNP open collector 2 outputs + Analogue output (voltage or current)/Auto-shift input</li> </ul>		
Piping	R1/8, NPT1/8 (With M5 female thread), Rc1/8, G1/8, M5 female thread ø4, ø6 one-touch fitting		

### Secret code setting function

A function to prevent operation by anyone other than the designated operator while the keys are locked.



An optional 3-digit value is entered.

\* The set-value can be checked while the keys are locked.

### Power-saving function

The display can be turned off to save the power consumption. (Power consumption reduced by max. 20%)



The value disappears and decimal points start flashing.

### Resolution conversion function

The flickering on the display can be eliminated.



1/1000



1/100

(Only the displayed value is changed, and there is no effect on the accuracy.)

### MPa/kPa switching function

The indication unit for vacuum, compound pressure and positive pressure can be integrated into either MPa or kPa.



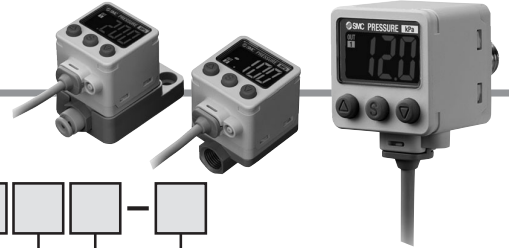
kPa Stick the label (enclosed with the product) of a desired unit seal.



# 2-Colour Display High Precision Digital Pressure Switch



# Series ZSE40A(F)/ISE40A



## How to Order

**Rated pressure range**  
**ISE40A** -0.1 to 1.000 MPa

For positive pressure

**ISE40A - 01 - X - M** [ ] [ ] [ ]

For vacuum/  
compound pressure

**ZSE40A - 01 - Y - M** [ ] [ ] [ ]

**Rated pressure range**  
**ZSE40A** 0.0 to -101.3 kPa  
**ZSE40AF** -100.0 to 100 kPa

### Piping specifications

Symbol	Description	Diagram
<b>01</b>	R1/8 (With M5 female thread)	
<b>N01</b>	NPT1/8 (With M5 female thread)	
<b>W1</b>	Rc1/8	
<b>WF1</b> (Note)	G1/8	
<b>M5</b> (Note)	M5 x 0.8 (Female thread)	
<b>C4</b> (Note)	ø4 one-touch fitting	
<b>C6</b> (Note)	ø6 one-touch fitting	

Note) Made to Order Note) The W1 and WF1 include 1 hexagon socket head plug.

### Combination of piping specifications with option 1 and part numbers of options

Description	Option 1		Piping						
	Symbol	Part no.	01	N01	W1	WF1	M5	C4	C6
Bracket A	<b>A</b>	<b>ZS-24-A</b>	○	○	○	○	×	×	×
Bracket B	<b>B</b>	<b>ZS-24-B</b>	×	×	○	○	×	×	×
Bracket D	<b>D</b>	<b>ZS-24-D</b>	○	○	○	○	×	×	×
Panel mount adapter	<b>E</b>	<b>ZS-35-C</b>	○	○	×	×	×	×	×
		<b>ZS-35-D</b>	×	×	○	○	○	○	○
Panel mount adapter + Front protective cover	<b>F</b>	<b>ZS-35-F</b>	○	○	×	×	×	×	×
		<b>ZS-35-G</b>	×	×	○	○	○	○	○

### Output specifications

<b>R</b>	NPN open collector 2 outputs + Analogue voltage/Auto-shift switching
<b>T</b>	PNP open collector 2 outputs + Analogue voltage/Auto-shift switching
<b>S</b>	NPN open collector 2 outputs + Analogue current/Auto-shift switching
<b>V</b>	PNP open collector 2 outputs + Analogue current/Auto-shift switching
<b>X</b>	NPN open collector 2 outputs + Copy function
<b>Y</b>	PNP open collector 2 outputs + Copy function

Options/Part No. When optional parts are required separately, use the following part numbers to place an order.

Part no.	Option
<b>ZS-24-A</b>	Bracket A, With 2 mounting screws each of M3 x 5L and M4 x 5L
<b>ZS-24-B</b>	Bracket B, With 2 mounting screws M4 x 5L
<b>ZS-24-D</b>	Bracket D, With 2 mounting screws each of M3 x 5L and M4 x 5L
<b>ZS-35-C</b>	Panel mount adapter (Piping: For 01/N01)
<b>ZS-35-D</b>	Panel mount adapter (Piping: For W1/WF1/M5/C4/C6)
<b>ZS-35-F</b>	Panel mount adapter + Front protective cover (Piping: For 01/N01)
<b>ZS-35-G</b>	Panel mount adapter + Front protective cover (Piping: For W1/WF1/M5/C4/C6)

### Unit specifications

<b>—</b>	With unit switching function
<b>M</b>	Fixed SI unit (Note)
<b>P</b>	With unit switching function (Initial value psi)

Note) Fixed unit:  
 For vacuum/compound pressure: kPa  
 For positive pressure: MPa

**Made to Order**

Symbol	Specifications/Description
<b>X501</b>	Lead wire length 3 m
<b>X531</b>	M12 4-pin pre-wired connector (Lead wire length 100 mm)

**Option 2**

Symbol	Calibration certificate
<b>K</b>	○

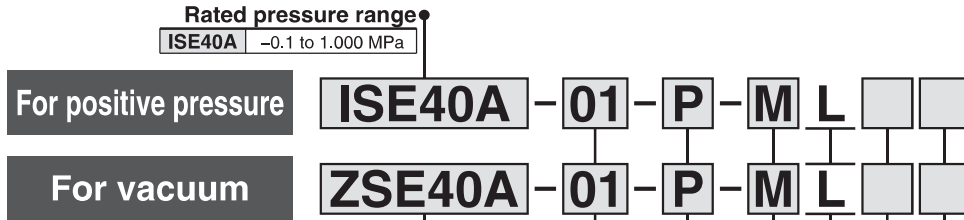
### Option 1 (Note)

<b>—</b>	None
<b>A</b>	Bracket A
<b>B</b>	Bracket B
<b>D</b>	Bracket D
<b>E</b>	Panel mount adapter <b>01/N01</b> <b>W1/WF1/M5/C4/C6</b>
<b>F</b>	Panel mount adapter + Front protective cover <b>01/N01</b> <b>W1/WF1/M5/C4/C6</b>

Note) Some options are unavailable depending on the piping specifications. Refer to "Combination of piping specifications with option 1 and part numbers of options".

# Series ZSE40A(F)/ISE40A

## How to Order [For M8 (3 pins) connector]



Rated pressure range

ZSE40A	0.0 to -101.3 kPa
--------	-------------------

Piping specifications

01	R1/8 (M5 female threaded)
N01	NPT1/8 (M5 female threaded)

Output specifications

N	NPN open collector 1 output
P	PNP open collector 1 output

Unit specifications

—	With unit display switching function
M	Fixed SI unit Note Note 1)
P	With unit switching function (Initial value psi)

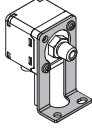
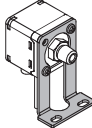
Note 1) Unit kPa, MPa

Option 2

Symbol	Operation manual <sup>Note)</sup>	Calibration certificate <sup>Note)</sup>
—	●	—
Y	—	—
K	●	●
T	—	●

Note) All texts in both English and Japanese

Option 1

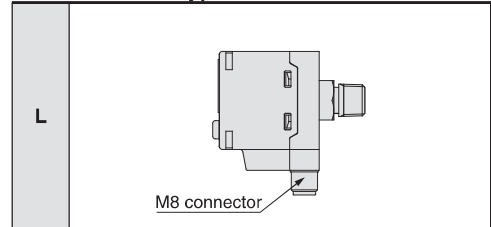
—	None
A	Bracket A 
D	Bracket D 

Options 1/Part No.

When optional parts are required separately, use the following part numbers to place an order.

Part no.	Option
ZS-24-A	Bracket A Mounting screw M3 x 5L, M4 x 5L (2 pcs. for each)
ZS-24-D	Bracket D Mounting screw M3 x 5L, M4 x 5L (2 pcs. for each)

M8 connector type\*



\* No lead wires are connected.

# 2-Colour Display High Precision Digital Pressure Switch *Series ZSE40A(F)/ISE40A*

## Specifications

Model		ZSE40A (vacuum pressure)	ZSE40AF (compound pressure)	ISE40A (positive pressure)	
<b>Rated pressure range</b>		0.0 to -101.3 kPa	-100.0 to 100.0 kPa	-0.100 to 1.000 MPa	
<b>Display/Set pressure range</b>		10.0 to -105.0 kPa	-105.0 to 105.0 kPa	-0.105 to 1.050 MPa	
<b>Withstand pressure</b>		500 kPa	500 kPa	1.5 MPa	
<b>Display/Minimum unit setting</b>		0.1 kPa	0.1 kPa	0.001 MPa	
<b>Applicable fluid</b>		Air, Non-corrosive gas, Non-flammable gas			
<b>Power supply voltage</b>		12 to 24 VDC $\pm 10\%$ , Ripple (p-p) 10% or less (with power supply polarity protection)			
<b>Current consumption</b>		45 mA or less			
<b>Switch output</b>		NPN or PNP open collector 1 output or 2 outputs			
	<b>Maximum load current</b>	80 mA			
	<b>Maximum applied voltage</b>	28 V (at NPN output)			
	<b>Residual voltage</b>	1 V or less			
	<b>Response time</b>	2.5 ms (with anti-chattering function: 20, 100, 500, 1000, 2000 ms)			
	<b>Short circuit protection</b>	Yes			
<b>Repeat accuracy</b>		$\pm 0.2\%$ F.S. $\pm 1$ digit			
Hysteresis	<b>Hysteresis mode</b>	Variable (0 or above) <sup>Note 1)</sup>			
	<b>Window comparator mode</b>				
Analog output	<sup>Note 2)</sup> <b>Voltage output</b>	<b>Output voltage (Rated pressure range)</b>	1 to 5 V $\pm 2.5\%$ F.S.	0.6 to 5 V $\pm 2.5\%$ F.S.	
		<b>Linearity</b>	$\pm 1\%$ F.S.		
		<b>Output impedance</b>	Approx. 1 k $\Omega$		
	<sup>Note 3)</sup> <b>Current output</b>	<b>Output current (Rated pressure range)</b>	4 to 20 mA $\pm 2.5\%$ F.S.	2.4 to 20 mA $\pm 2.5\%$ F.S.	
		<b>Linearity</b>	$\pm 1\%$ F.S.		
		<b>Load impedance</b>	Maximum load impedance: 300 $\Omega$ (Power supply voltage 12 V) 600 $\Omega$ (Power supply voltage 24 V) Minimum load impedance: 50 $\Omega$		
<b>Auto-shift input</b>		Non-voltage input (Reed or Solid state), Low level: 0.4 V or less, 5 ms or longer input			
<b>Display</b>		3 1/2-digit, 7-segment, 2-color LCD (Red/Green)			
<b>Display accuracy</b>		$\pm 2\%$ F.S. $\pm 1$ digit (Ambient temperature of 25 $\pm 3^\circ\text{C}$ )			
<b>Indicator light</b>		Lights up when output is turned ON. OUT1, OUT2: Orange			
Environment	<b>Enclosure</b>	IP65			
	<b>Operating temperature range</b> <sup>Note 4)</sup>	Operating: -5 to 50°C, Stored: -10 to 60°C (No freezing or condensation)			
	<b>Operating humidity range</b>	Operating/Stored: 35 to 85% RH (No condensation)			
	<b>Withstand voltage</b>	1000 VAC for 1 minute between terminals and housing			
	<b>Insulation resistance</b>	50 M $\Omega$ or more (500 VDC measured via megohmmeter) between terminals and housing			
<b>Temperature characteristics</b>		$\pm 2\%$ F.S. (25°C reference)			
<b>Lead wire</b>		Oilproof heavy-duty vinyl cable 5 cores $\phi 3.5$ , 2 m Conductor area: 0.15 mm <sup>2</sup> (AWG26) Insulator O.D.: 0.95 mm			
<b>Standards</b>		CE, UL, CSA, RoHS			

Note 1) If the applied pressure fluctuates around the set-value, the hysteresis must be set to a value more than the fluctuating width, otherwise chattering will occur.

Note 2) When the analog voltage output is selected, the analog current output cannot be selected.

Note 3) When the analog current output is selected, the analog voltage output cannot be selected.

Note 4) UL temperature rating: The maximum ambient temperature is 50°C.

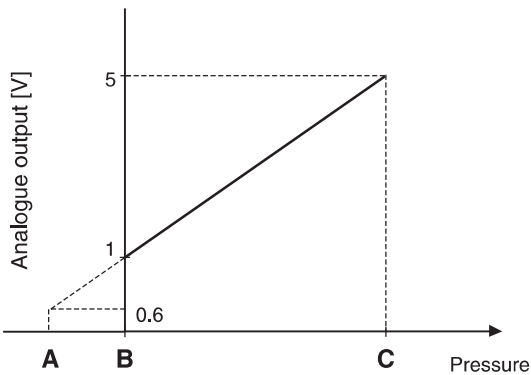
## Piping Specifications

Part no.		01	N01	W1	WF1	M5	C4	C6
<b>Port size</b>		R1/8 (With M5 female thread)	NPT1/8 (With M5 female thread)	Rc1/8	G1/8 <sup>Note 5)</sup>	M5 x 0.8 female thread	$\phi 4$ One-touch fitting	$\phi 6$ One-touch fitting
<b>Material of parts in contact with fluid</b>	<b>Sensor pressure receiving area</b>	Silicon						
	<b>Piping port</b>	C3602 (Electroless nickel plating) O-ring: HNBR		ZDC2 O-ring: HNBR		ZDC2, POM, Stainless steel 304, C3604 (Electroless nickel plating) O-ring: HNBR, NBR		
<b>Weight</b>		78 g	79 g	97 g		104 g	101 g	
	<b>M8 connector</b>	45 g	46 g	-		-		

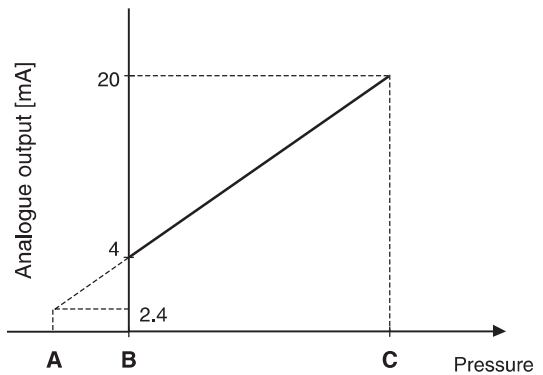
# Series ZSE40A(F)/ISE40A

## Analogue Output

### Voltage output



### Current output



Range	Rated pressure range	A	B	C
For vacuum pressure	0.0 to -101.3 kPa	10.1 kPa	0	-101.3 kPa
For compound pressure	-100.0 to 100.0 kPa	—	-100.0 kPa	100.0 kPa
For positive pressure	-0.100 to 1.000 MPa	-0.100 MPa	0	1.000 MPa

## Descriptions

### Output (OUT1) display (Orange)

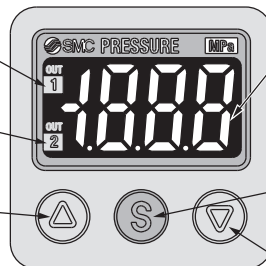
Lights up when OUT1 is turned ON.

### Output (OUT2) display (Orange)

Lights up when OUT2 is turned ON.

### △ button

Use this button to select the mode or increase the ON/OFF set-value. It is also used for switching to the peak display mode.



### LCD

Displays the current pressure, set mode, selected display unit, and error code. Always use red or green display; or switch between green and red according to the output. Four different display settings are available.

### SET button

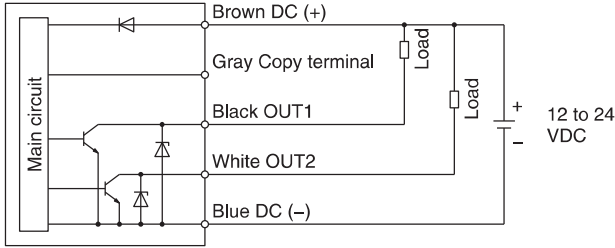
Use this button to change the mode or confirm the set-value.

### ▽ button

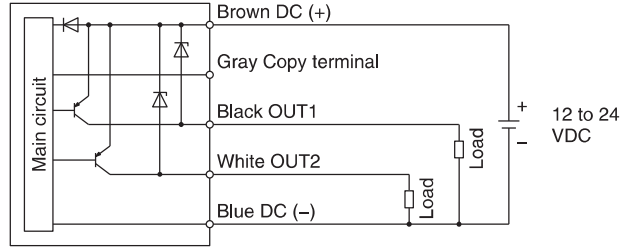
Use this button to select the mode or decrease the ON/OFF set-value. It is also used for switching to the bottom display mode.

**Internal Circuits and Wiring Examples**

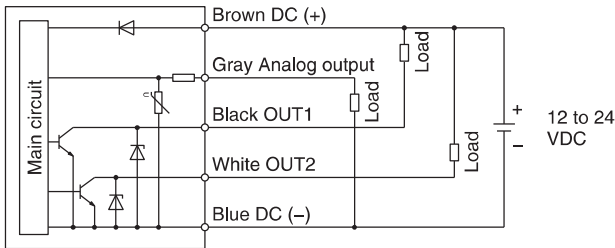
**-X**  
NPN (2 outputs) + Copy function



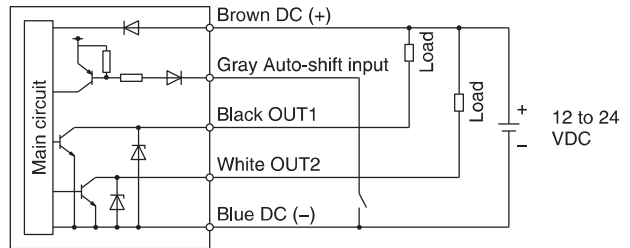
**-Y**  
PNP (2 outputs) + Copy function



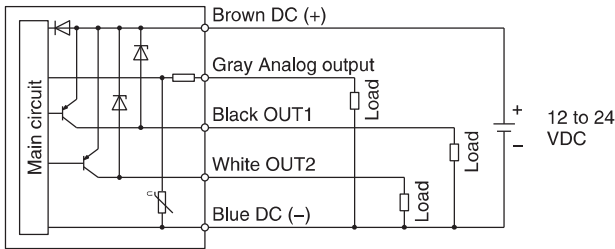
**-R/-S**  
**-R: NPN (2 outputs) + Analog voltage output**  
**-S: NPN (2 outputs) + Analog current output**



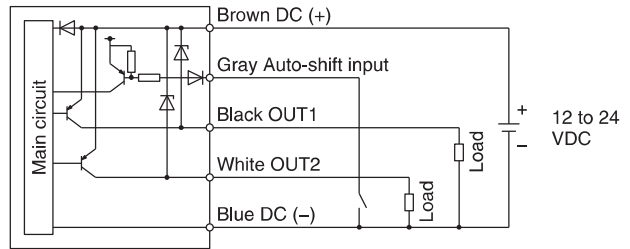
**-R/-S**  
NPN (2 outputs) + Auto-shift input



**-T/-V**  
**-T: PNP (2 outputs) + Analog voltage output**  
**-V: PNP (2 outputs) + Analog current output**

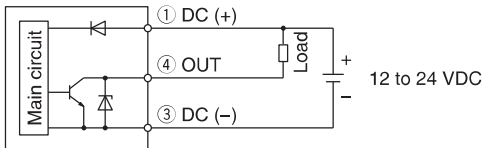


**-T/-V**  
PNP (2 outputs) + Auto-shift input

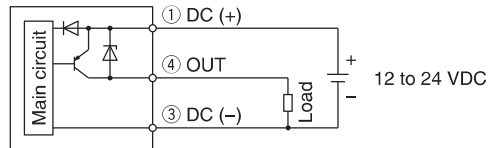


**For M8 connector, 3 pins**

**-N**  
NPN (1 output)



**-P**  
PNP (1 output)

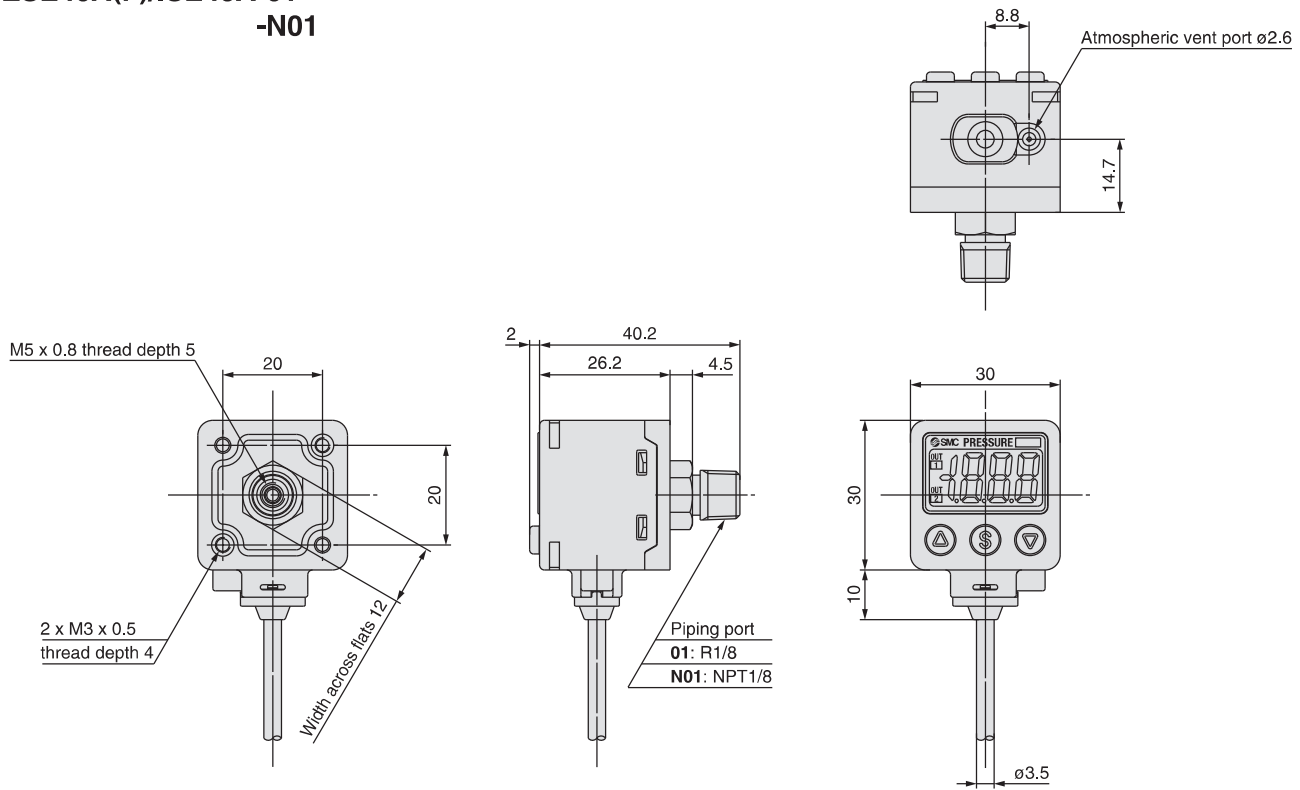


# Series ZSE40A(F)/ISE40A

## Dimensions

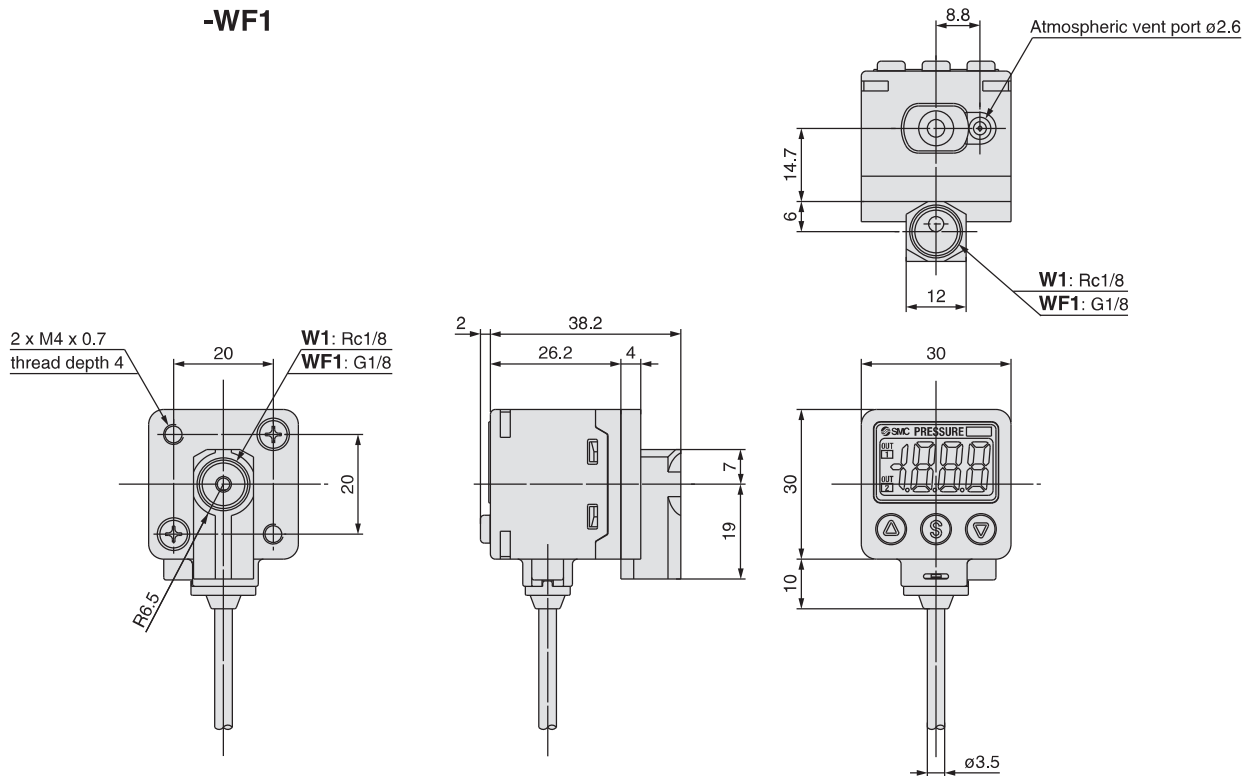
### ZSE40A(F)/ISE40A-01

-N01



### ZSE40A(F)/ISE40A-W1

-WF1

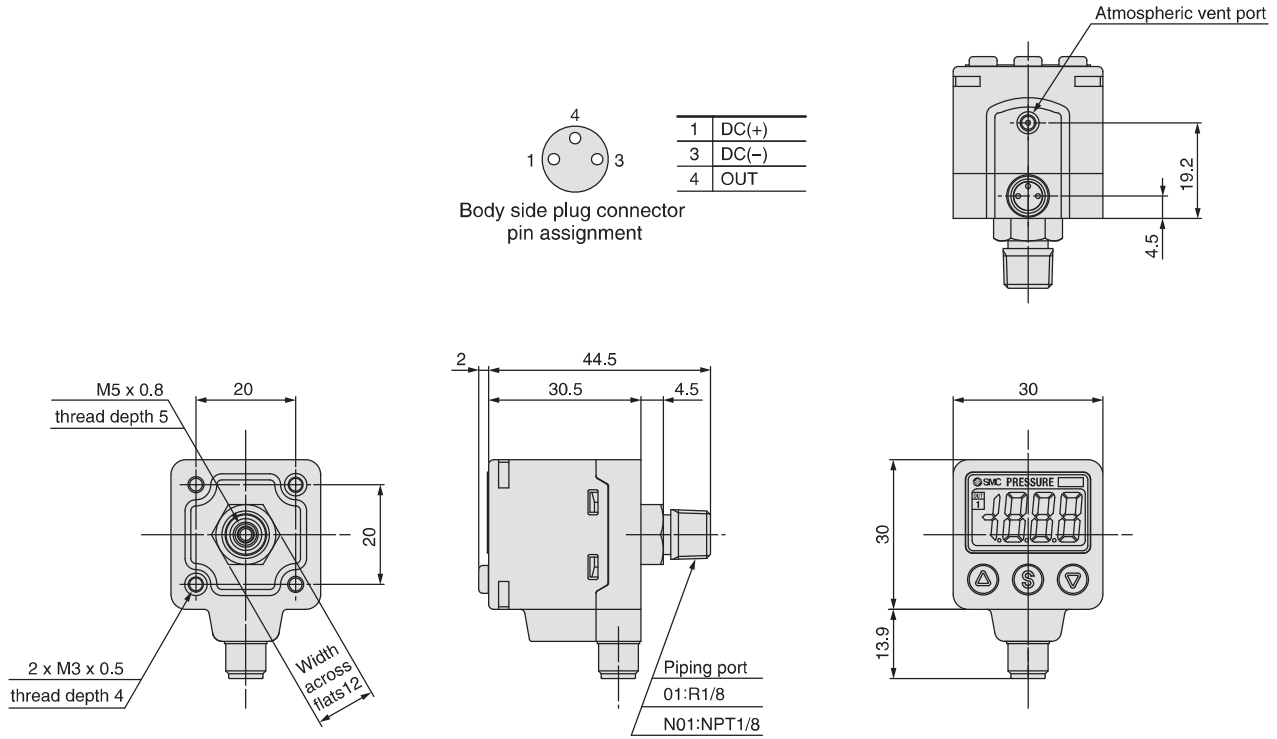




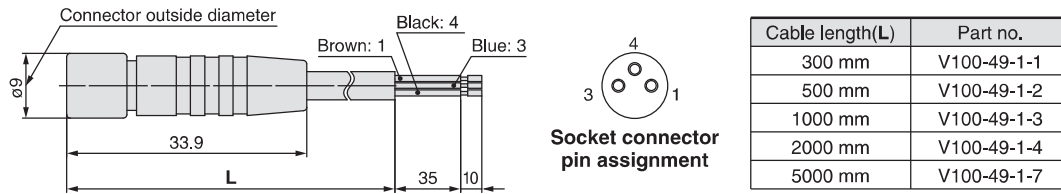
# 2-Colour Display High Precision Digital Pressure Switch *Series ZSE40A(F)/ISE40A*

## Dimensions/For M8 (3-pin) connector

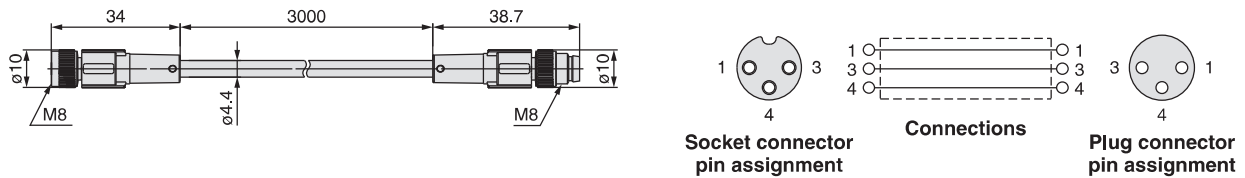
ZSE40A/ISE40A-01-□-□L  
-N01-□-□L



## M8 (3-pin) cable with connector V100-49-1-□



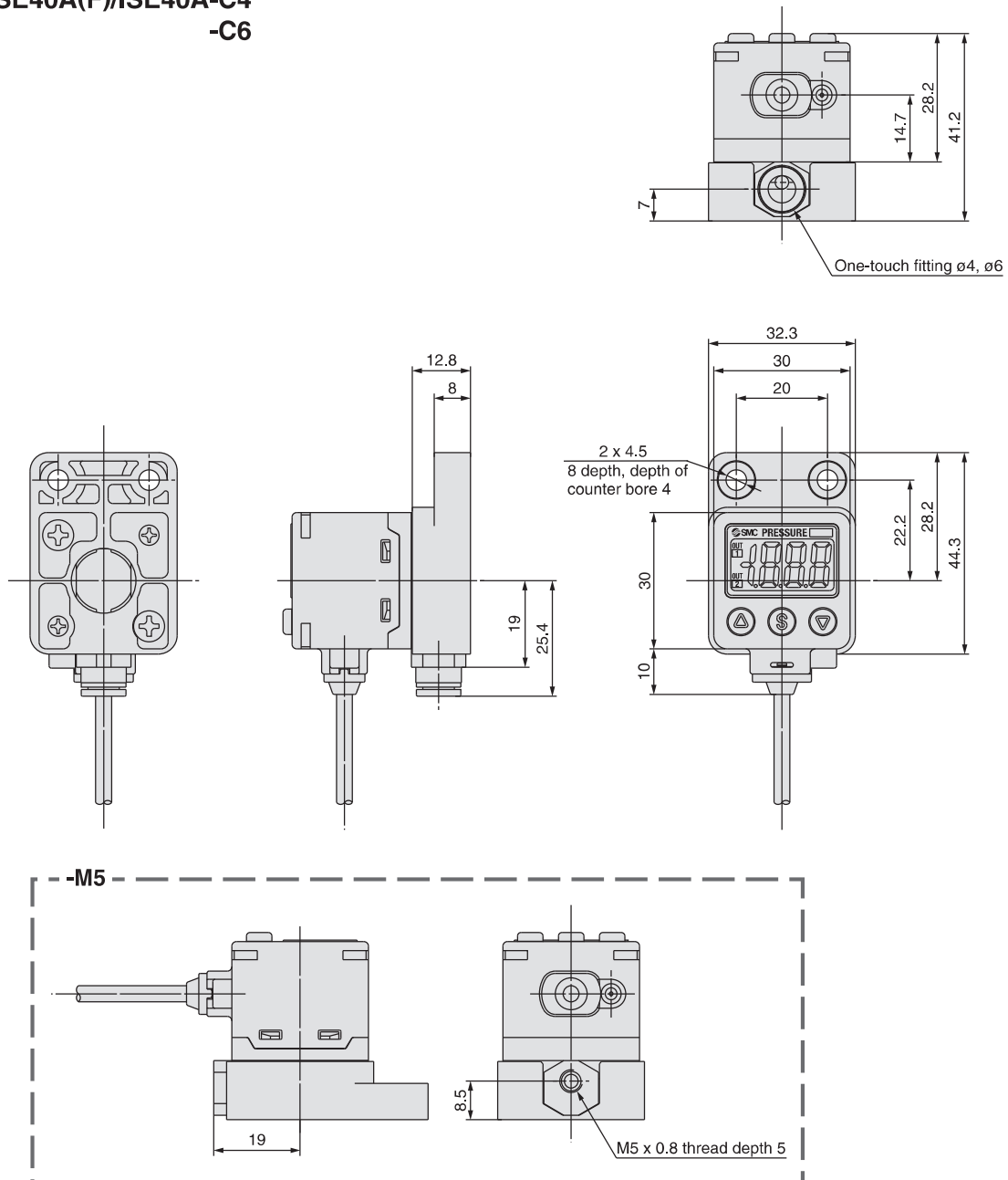
## PCA-155772



# Series ZSE40A(F)/ISE40A

## Dimensions

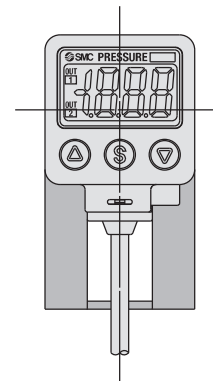
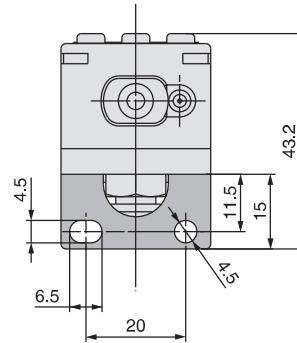
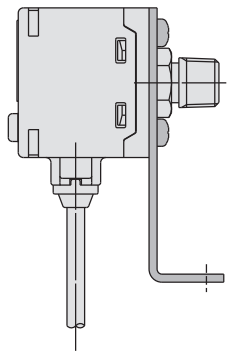
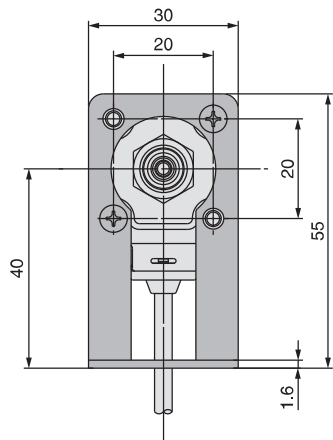
ZSE40A(F)/ISE40A-C4  
-C6



**Dimensions**

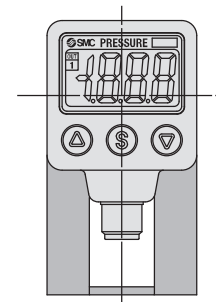
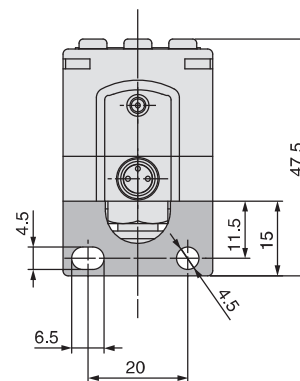
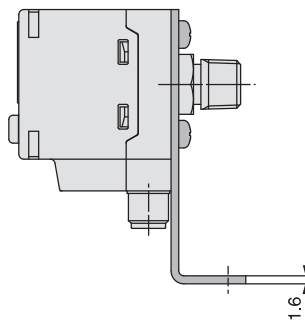
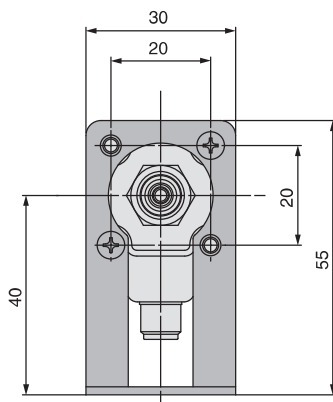
ZSE40A(F)/ISE40A-01-□-□A□  
-N01-□-□A□

With bracket A



For M8 (3-pin) connector  
ZSE40A/ISE40A-01-□-□LA  
-N01-□-□LA

With bracket A

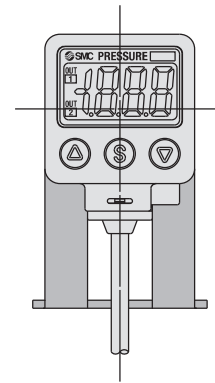
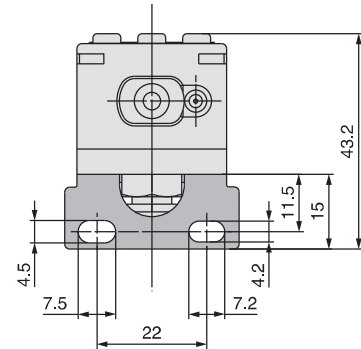
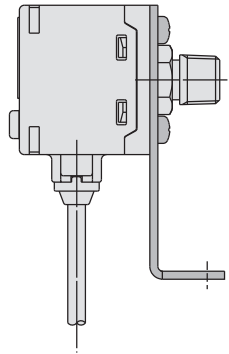
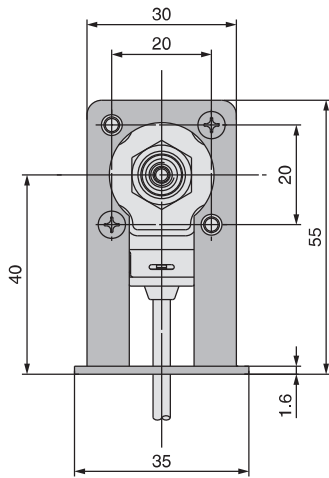


# Series ZSE40A(F)/ISE40A

## Dimensions

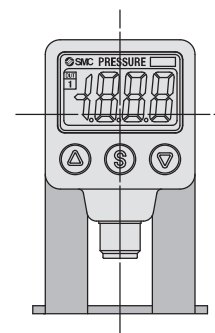
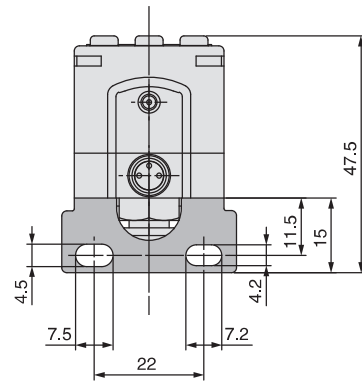
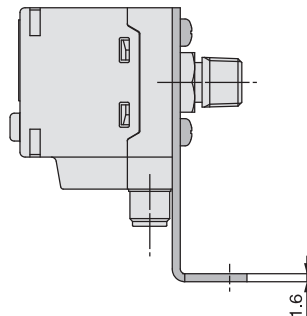
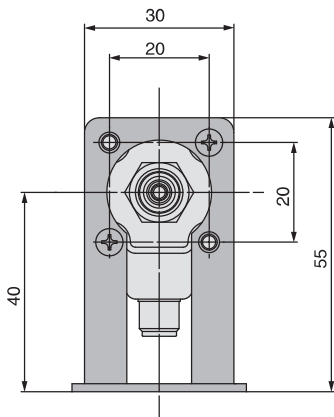
ZSE40A(F)/ISE40A-01-□-□D□  
 -N01-□-□D□

With bracket D



For M8 (3-pin) connector  
 ZSE40A/ISE40A-01-□-□LD  
 -N01-□-□LD

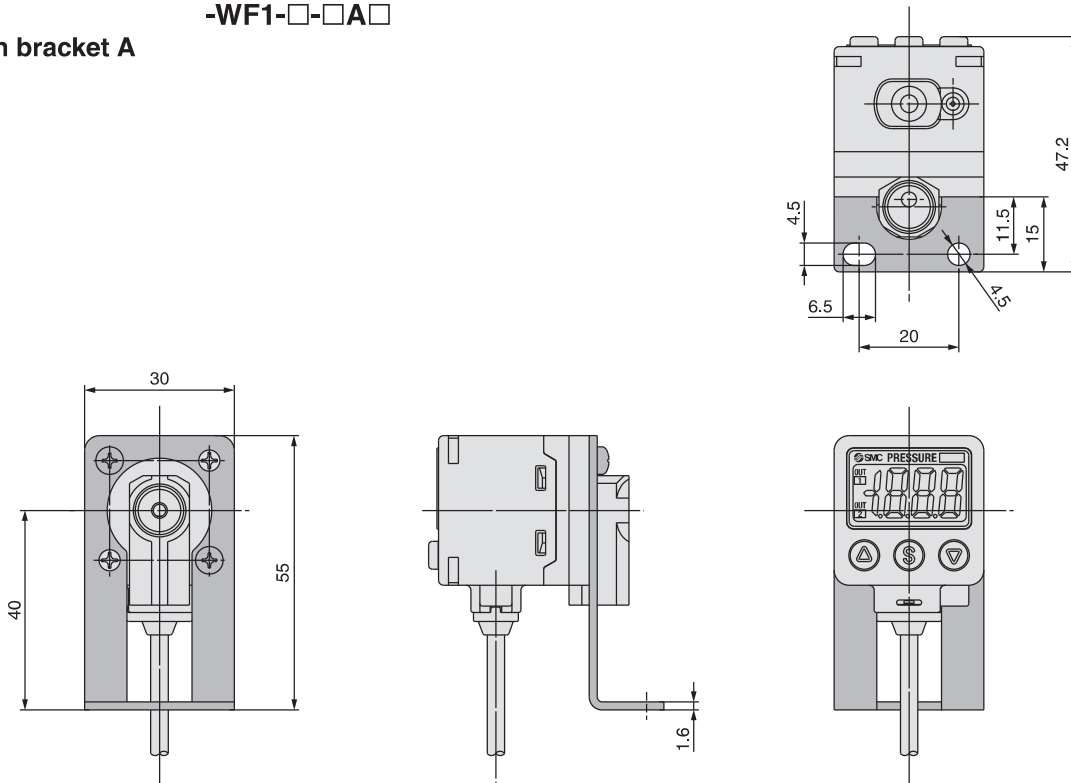
With bracket D



**Dimensions**

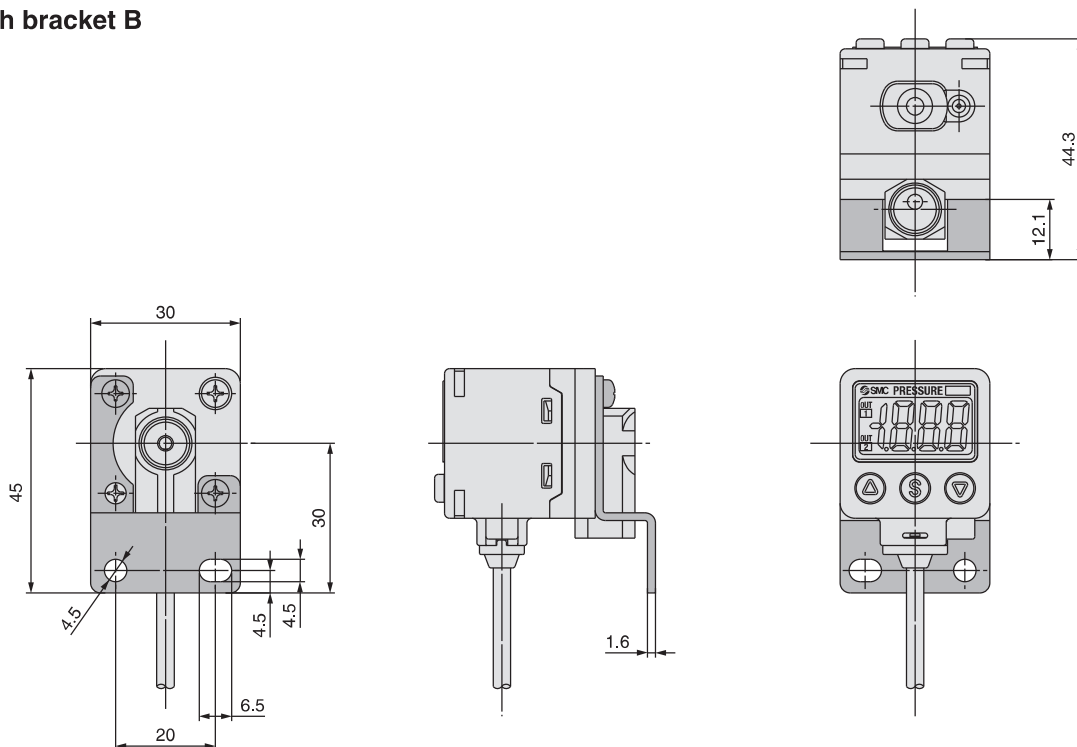
ZSE40A(F)/ISE40A-W1-□-□A□  
-WF1-□-□A□

With bracket A



ZSE40A(F)/ISE40A-W1-□-□B□  
-WF1-□-□B□

With bracket B



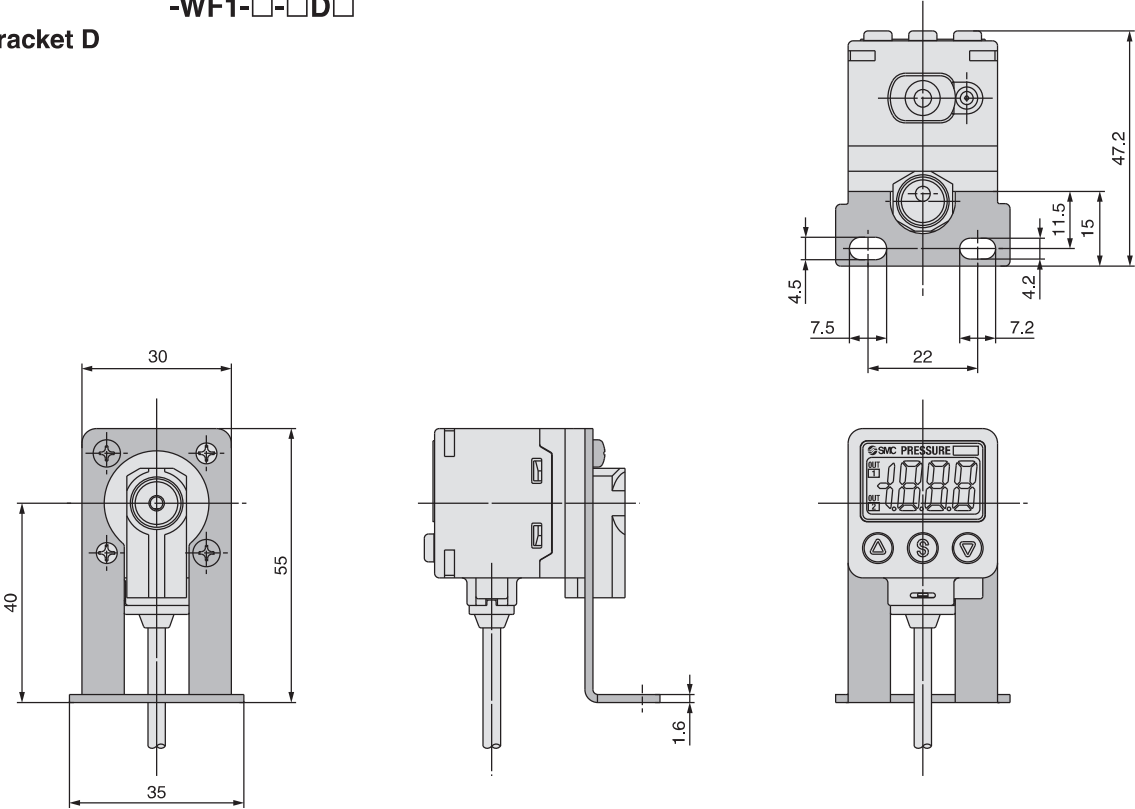


# Series ZSE40A(F)/ISE40A

## Dimensions

ZSE40A(F)/ISE40A-W1-□-□D□  
 -WF1-□-□D□

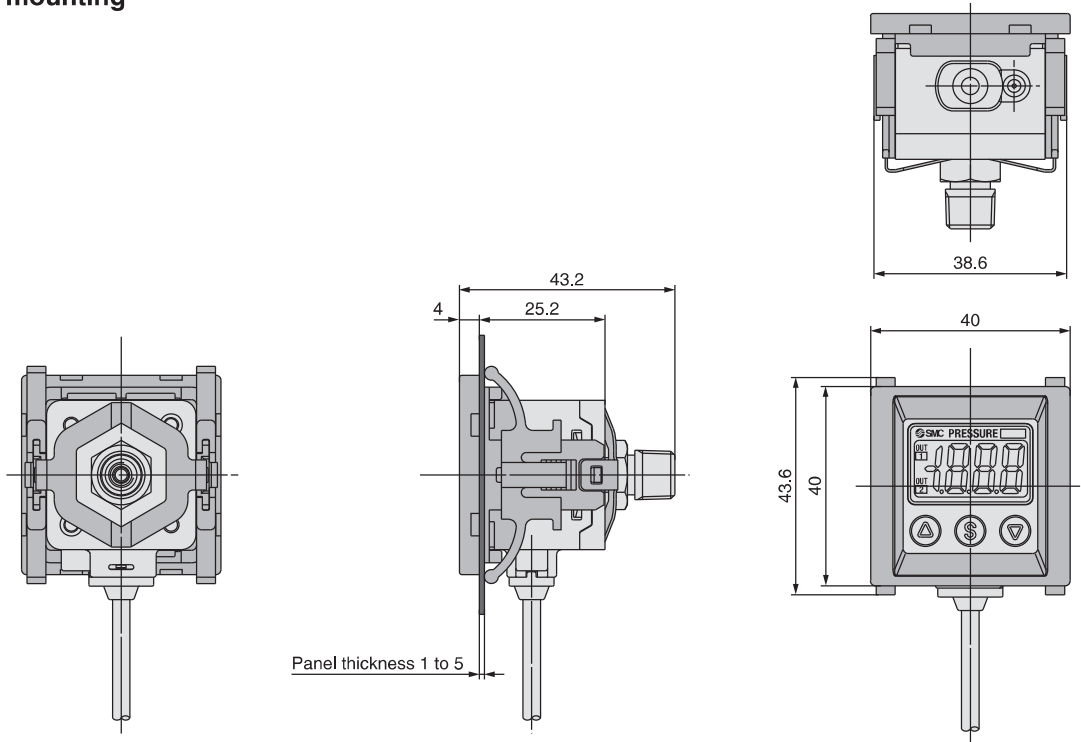
With bracket D



**Dimensions**

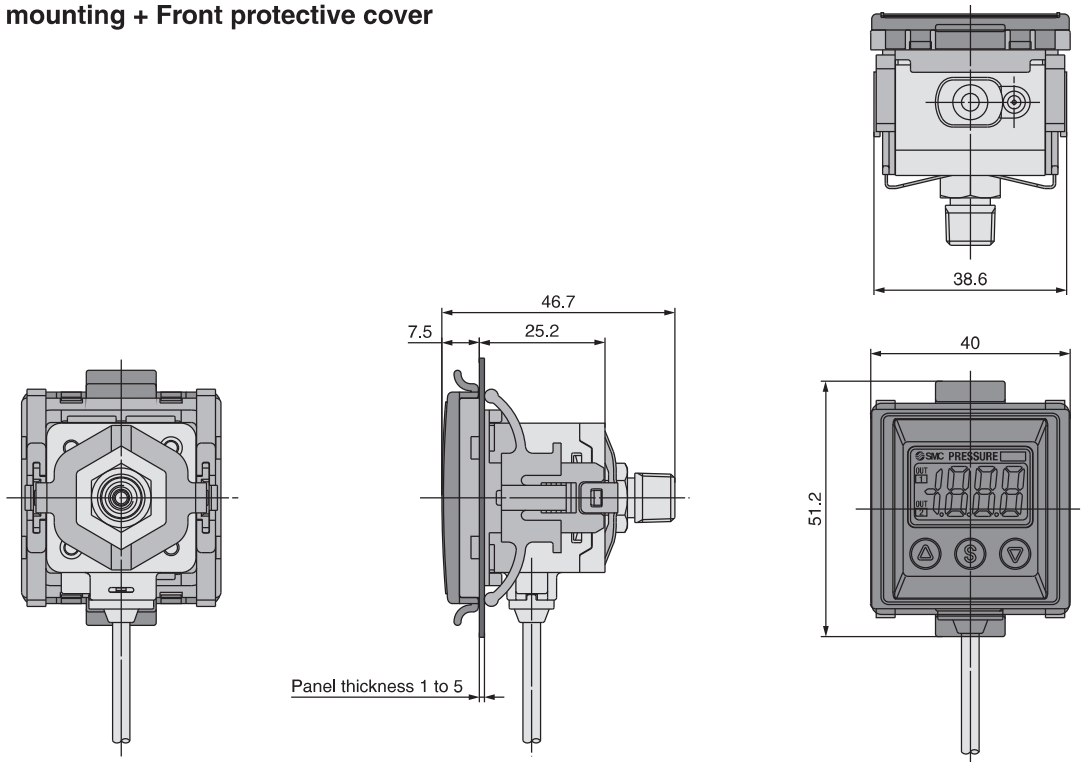
ZSE40A(F)/ISE40A-01-□-□E□  
-N01-□-□E□

Panel mounting



ZSE40A(F)/ISE40A-01-□-□F□  
-N01-□-□F□

Panel mounting + Front protective cover

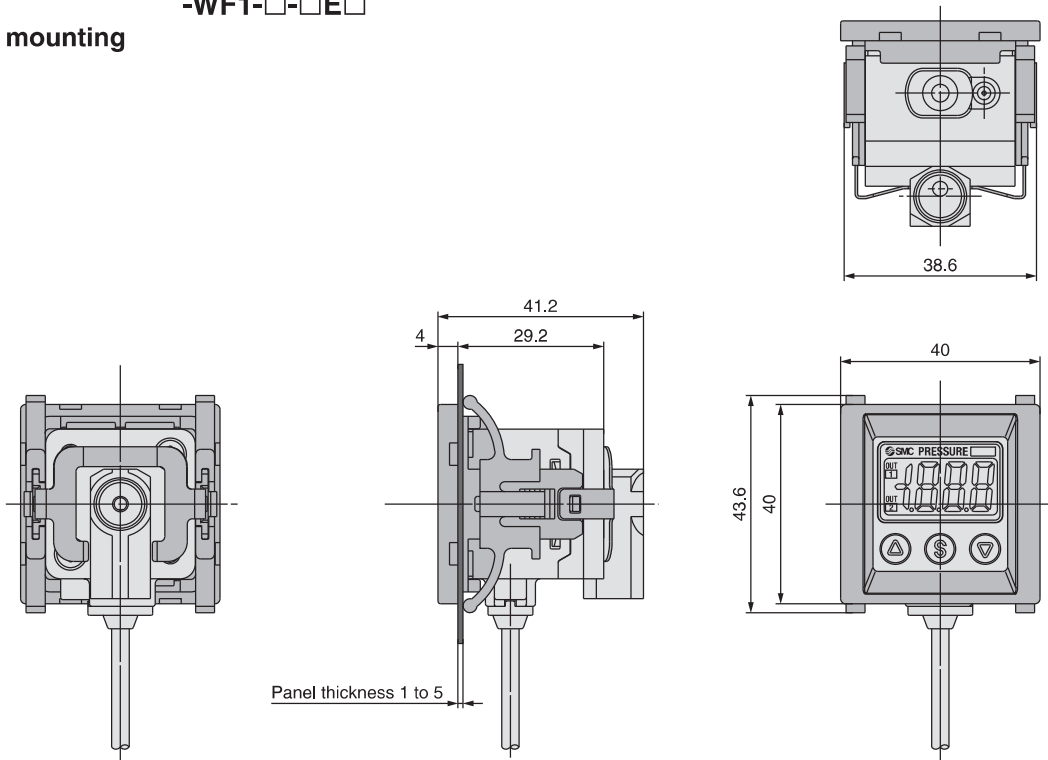


# Series ZSE40A(F)/ISE40A

## Dimensions

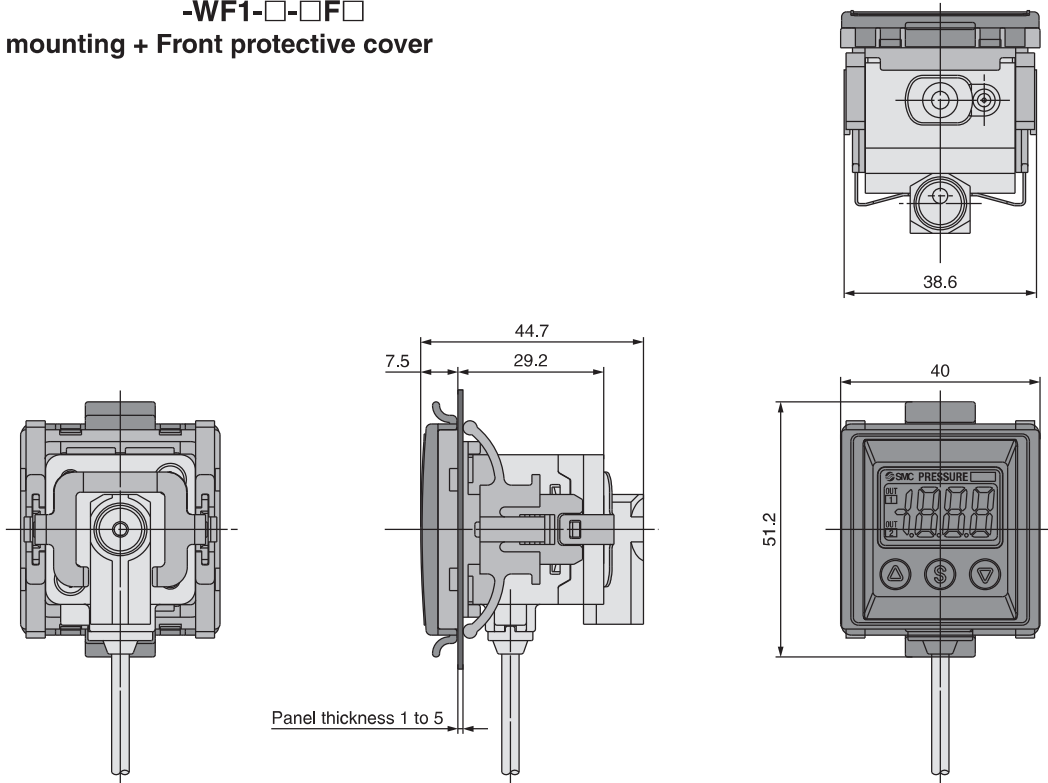
ZSE40A(F)/ISE40A-W1-□-□E□  
-WF1-□-□E□

Panel mounting



ZSE40A(F)/ISE40A-W1-□-□F□  
-WF1-□-□F□

Panel mounting + Front protective cover

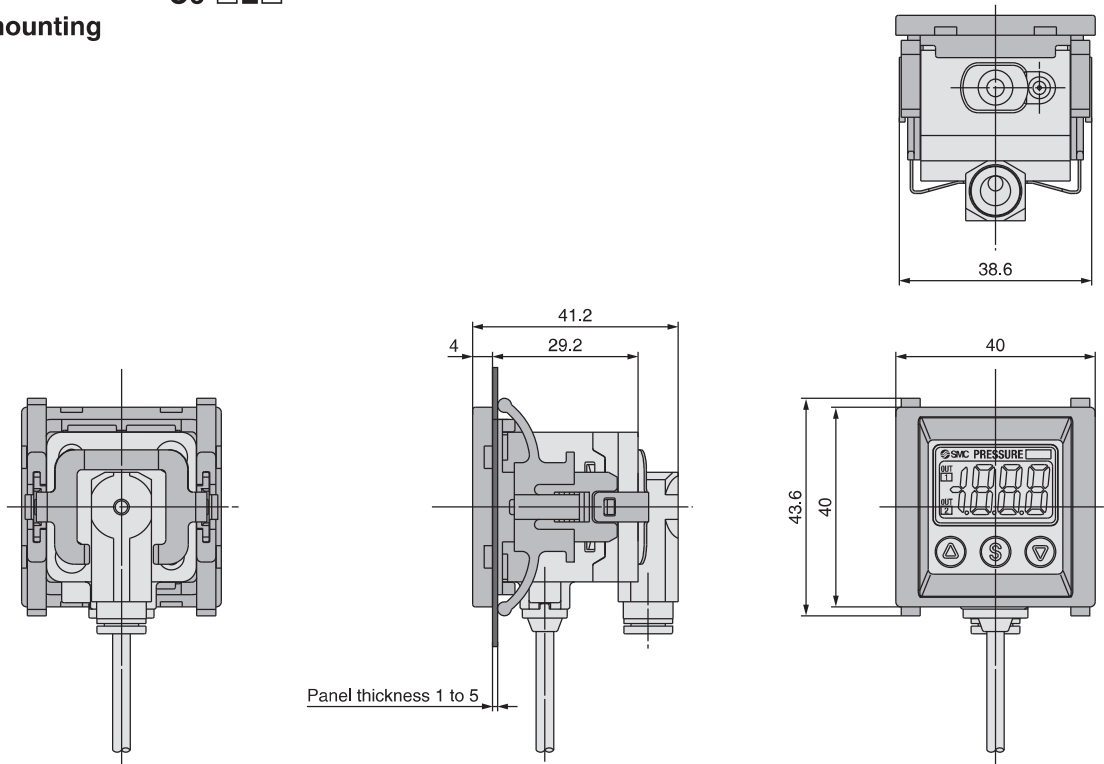


2-Colour Display High Precision  
Digital Pressure Switch **Series ZSE40A(F)/ISE40A**

**Dimensions**

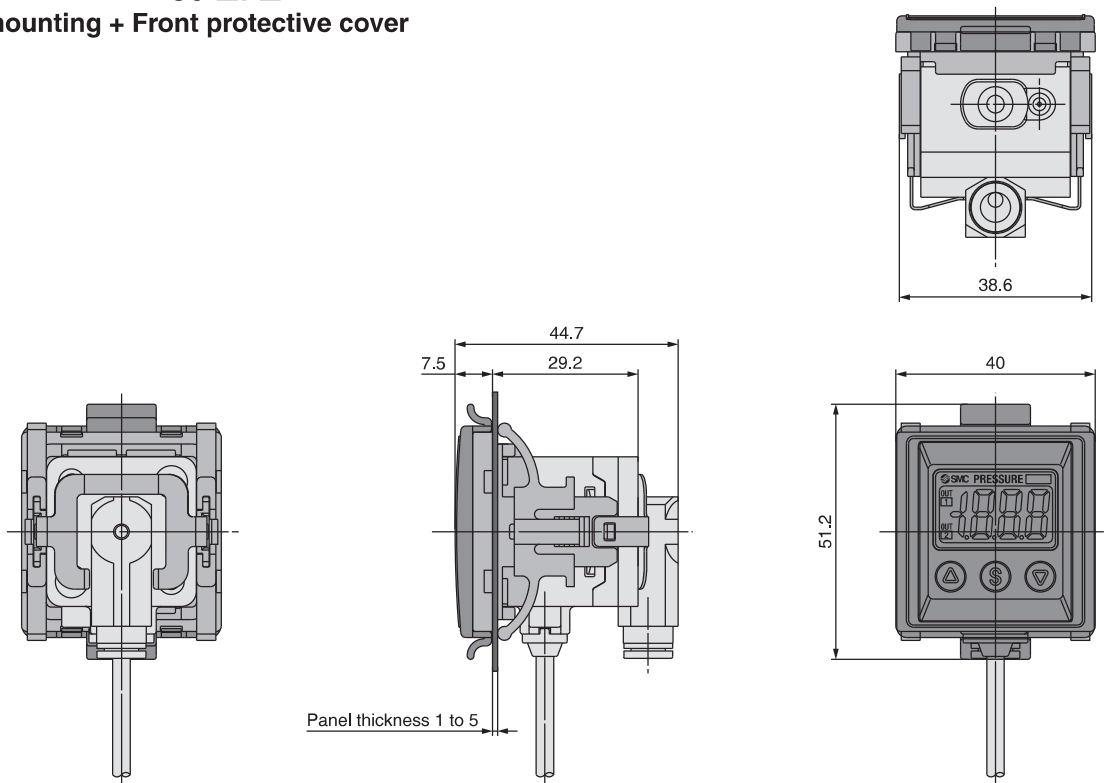
ZSE40A(F)/ISE40A-C4-□E□  
-C6-□E□

Panel mounting



ZSE40A(F)/ISE40A-C4-□F□  
-C6-□F□

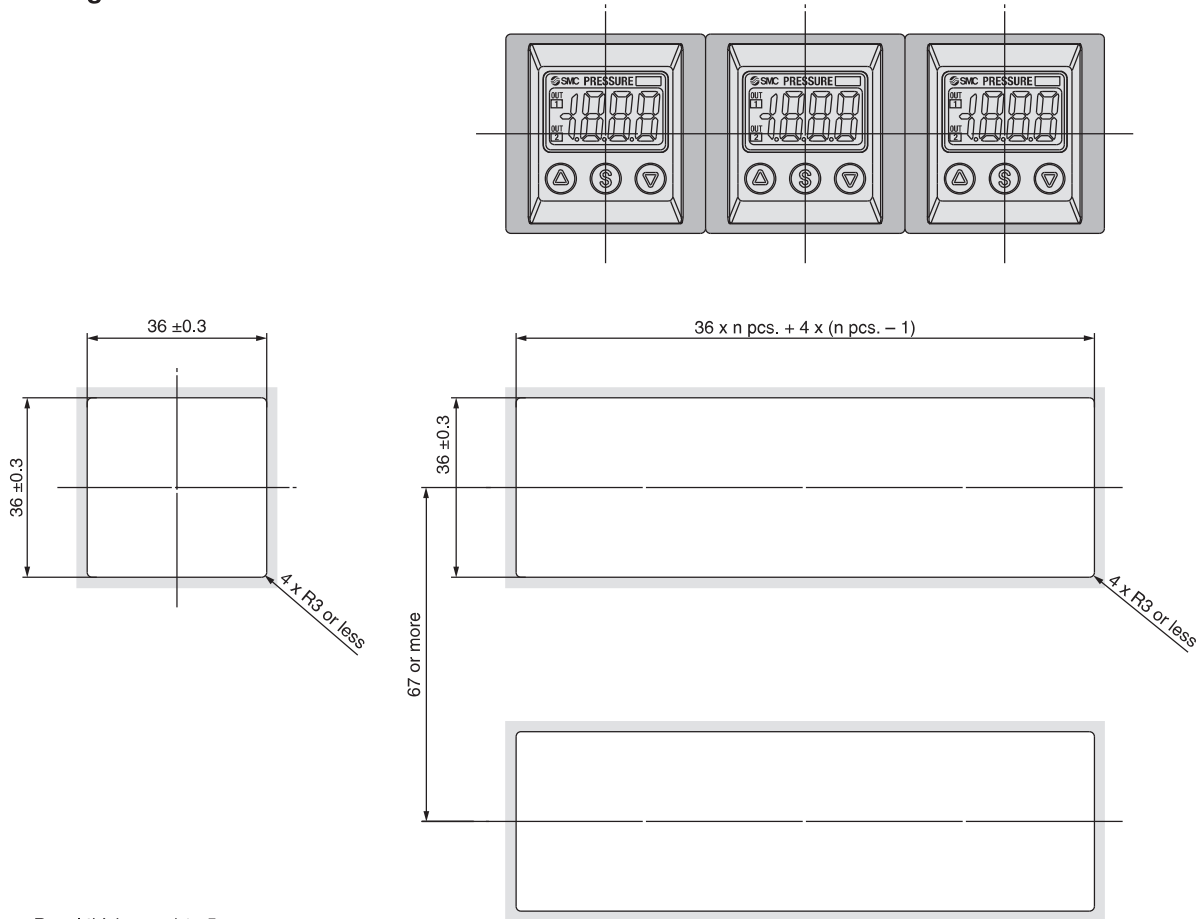
Panel mounting + Front protective cover



# Series ZSE40A(F)/ISE40A

## Dimensions

### Panel fitting dimensions



Panel thickness 1 to 5 mm

Note) This is the minimum value for the piping method 01 or N01.

Take the piping material and tubing into account for design. When the corner is to have radius, it must be R3 or less.

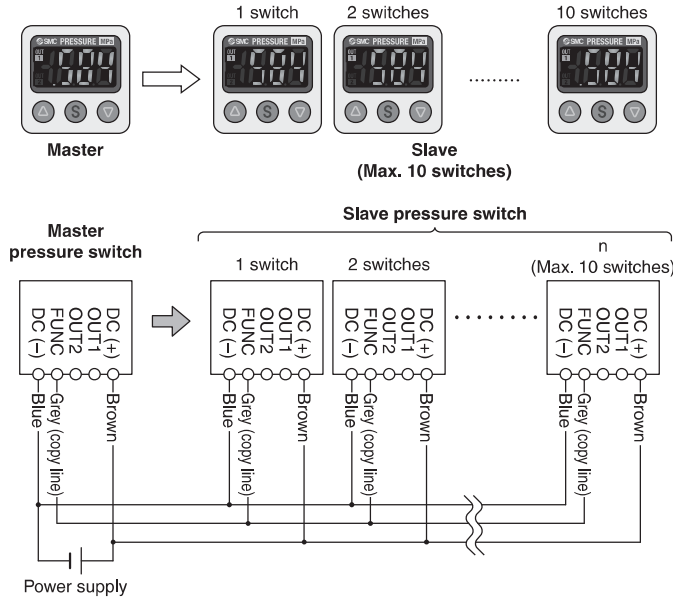


## Function Details

### A Copy function (F97)

The settings of the master pressure switch can be copied to several slave pressure switches. This can reduce the labour for setting and prevent the entry of incorrect set-values.

**The set-value can be copied to up to 10 switches simultaneously.**  
(Maximum communication distance 4 m)

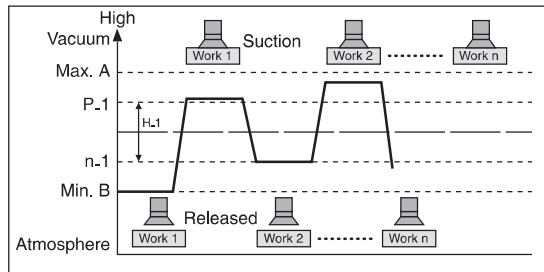


- 1) Wire as shown in the left figure.
- 2) Select the slave switch which is to be the master, and change it into a master using the buttons. (In the default setting, all switches are set as slaves.)
- 3) Press the button of the master switch to start copying.

### B Auto-preset function (F 4)

Auto-preset function, when selected in the initial setting, calculates and stores the set-value from the measured pressure. The optimum set-value is determined automatically by repeating vacuum and break with the target work piece several times.

#### Suction Verification

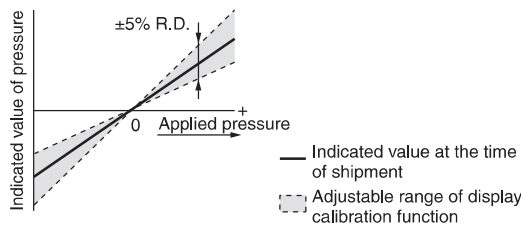


#### Formula for Obtaining the Set-Value

P <sub>1</sub> or P <sub>2</sub>	H <sub>1</sub> or H <sub>2</sub>
$P_1 (P_2) = A - (A-B)/4$	$H_1 (H_2) = (A-B)/2$
$n_1 (n_2) = B + (A-B)/4$	

### C Display calibration function (F 6)

Fine adjustment of the indicated value of the pressure sensor can be made within the range of  $\pm 5\%$  of the read value. (The scattering of the indicated value can be eliminated.)



Note) When the display calibration function is used, the set pressure value may change  $\pm 1$  digit.

### D Peak and bottom display function

This function constantly detects and updates the maximum (minimum) value and allows to hold the maximum (minimum) pressure value. When the buttons are simultaneously pressed for 1 second or longer, while "holding", the hold value will be reset.

### E Key lock function

This function prevents incorrect operations such as accidentally changing the set-value.

### F Zero-clear function

This function clears and resets the zero value on the display of measured pressure.

For the pressure switch with analogue output, the analogue output shifts according to the indication. The indicated value can be adjusted within  $\pm 7\%$  F.S. of the pressure when ex-factory. (ZSE40AF (for compound pressure)  $\pm 3.5\%$  F.S.)

# Series ZSE40A(F)/ISE40A

The **F** in brackets shows the function code number. Refer to the Operation Manual for the details of operation procedures and function

## G Error indication function

Error name	Error code	Description	Remedy
Overcurrent error	Er1	Load current of switch output (OUT1) exceeds 80 mA.	Turn the power off and remove the output factor for the overcurrent. Then, turn the power on.
	Er2	Load current of switch output (OUT2) exceeds 80 mA.	
Residual pressure error	Er3	During zero-clear operation, pressure over $\pm 7\%$ F.S. is applied. (ZSE40AF (compound) $\pm 3.5\%$ F.S.) After 1 second, the mode will reset to measurement mode. $\pm 1\%$ F.S. of the zero-clear range varies between individual products.	Perform zero-clear operation again after restoring the applied pressure to an atmospheric pressure condition.
Applied pressure error	HHH	Supply pressure exceeds the maximum set pressure.	Reset applied pressure to a level within the set pressure range.
	LLL	Supply pressure is below the minimum set pressure.	
Auto-shift error	or	The value measured at the time of auto-shift input is outside the set pressure range. * After displaying the error code for about 1 second, the switch returns to the measuring mode.	The controller does not respond to the auto-shift signal. Check the equipment and machinery for this point.
System error	Er0	Internal data error	Turn the power off and turn it on again. If the failure cannot be solved, ask SMC for repair.
	Er4		
	Er6		
	Er7		
	Er8		
	Er9		

If the above remedy cannot recover the operation, ask SMC for repair.

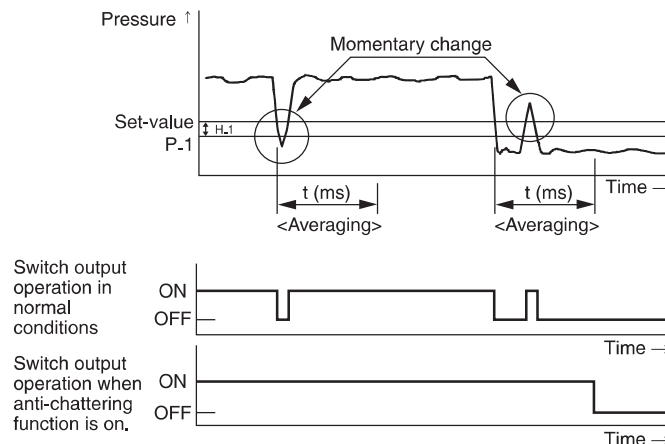
## H Anti-chattering function (F 3)

A large bore cylinder or ejector consumes a large volume of air in operation and may experience a temporary drop in the supply pressure. This function prevents detection of such temporary drops in the supply pressure as an error.

Available response time settings
20 ms, 100 ms, 500 ms, 1000 ms, 2000 ms

<Principle>

This function averages pressure values measured during the response time set by the user and then compares the average pressure value with the pressure set point value to output the result on the switch.



## I Display unit switching function (F 0)

Display units can be switched with this function.

Display unit	PA		GF	bAr	PSI	inH	mmH
	kPa	MPa (Note)	kg/cm <sup>2</sup>	bar	psi	inHg	mmHg
ZSE40A (vacuum pressure)	0.1	0.001	0.001	0.001	0.01	0.1	1
ZSE40AF (compound pressure)	0.1	0.001	0.001	0.001	0.02	0.1	1
ISE40A (positive pressure)	1	0.001	0.01	0.01	0.1		

Note) The ZSE40A (vacuum pressure) and ZSE40AF (compound pressure) will have different setting and display resolution when the unit is set to MPa.

The F□ in ( ) shows the function code number. Refer to the Operation Manual for the details of operation procedures and function codes.

## Function Details

### J Power-saving mode (F80)

Power-saving mode can be selected. It shifts to the power-saving mode without button operation for 30 seconds. It is set to the normal mode (Power-saving mode is OFF.) when ex-factory. (Decimal points and operation indicator light (only when the switch output is turned ON) blink in the power-saving mode.)

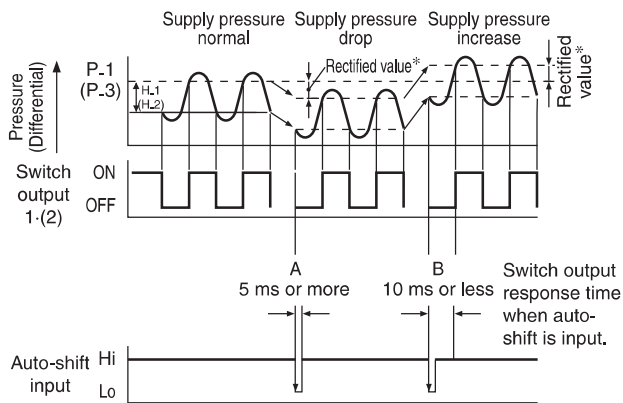
### K Secret code setting (F81)

It can be set whether secret code input is required or not when key is locked. It is set to input no secret code when ex-factory.

### L Auto-shift function (F 5)

When there are large fluctuations in the supply pressure, the switch may fail to operate correctly. The auto-shift function compensates such supply pressure fluctuations. It measures the pressure at the time of auto-shift signal input and uses it as the reference pressure to correct the set-value on the switch.

#### Set-value correction by auto-shift function



\* Rectified value

When the auto-shift is selected, "000" will be displayed for about 1 second, and the pressure value at that point will be saved as a rectified value "□\_5". Based on the saved rectified values, the set-value<sup>Note)</sup> of "P\_1", "H\_1", "P\_2", and "H\_2" will likewise be rectified.

Note) When an output is reversed, "n\_1", "H\_1", "n\_2", "H\_2" will be rectified.

#### Possible Set Range for Auto-Shift Input

	Regulating pressure range	Possible set range
Compound pressure	-105.0 to 105.0 kPa	-210 to 210 kPa
Vacuum pressure	10.0 to -105.0 kPa	115.0 to -115.0 kPa
Positive pressure	-0.105 to 1.050 MPa	-1.155 to 1.155 MPa

#### Auto-shift zero

The basic function of auto-shift zero is the same as the function for auto-shift. Also, it corrects values on the display, based on a pressure value of "0", when the auto-shift is selected.

# Series ZSE40A(F)/ISE40A

## Made to Order

Please contact SMC for detailed dimensions, specifications, and lead times.



### 1 Lead wire length 3 m

Symbol  
**-X501**

It has a lead wire extended to 3 meters.

#### How to Order



\* Refer to How to Order on page 1 for standard specifications.

ZSE40A(F)/ISE40A - [ ] - [ ] - [ ] - X501

Piping specifications\*

Output specifications\*

Option\*

### 2 M12 4-pin pre-wired connector (Lead wire length 100 mm)

Symbol  
**-X531**

#### How to Order



\* Refer to How to Order on page 1 for standard specifications.

ZSE40A(F)/ISE40A - [ ] - [ ] - [ ] - X531

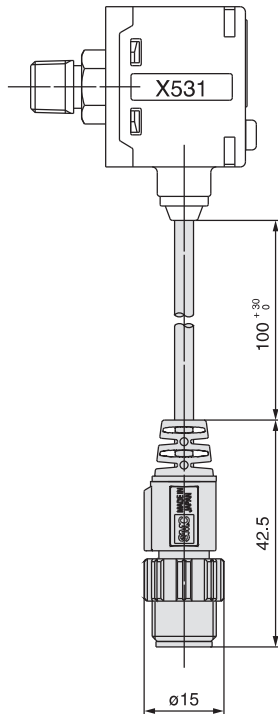
Output specifications

X: NPN open collector 2 outputs

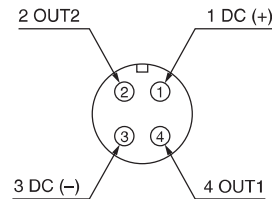
Y: PNP open collector 2 outputs

Unit specifications/option\*

Piping specifications\*



#### Pin arrangement





# Series ZSE40A(F)/ISE40A Specific Product Precautions 1

Be sure to read before handling.

Refer to back pages 1 and 2 for Safety Instructions, “Handling Precautions for SMC Products” (M-E03-3) for Pressure Switches Precautions.

## Handling

### ⚠ Caution

1. Do not drop, bump, or apply excessive impacts (100 m/s<sup>2</sup>) while handling. Although the body of the sensor may not be damaged, the internal parts of the sensor could be damaged and lead to a malfunction.
2. The tensile strength of the cord is 49 N. Applying a greater pulling force on it can cause a malfunction. When handling, hold the body of the sensor—do not dangle it from the cord.
3. Do not exceed the screw-in torque of 7 to 9 N·m when connecting the pipe to the switch. Exceeding this torque may cause the switch to malfunction.
4. Do not use pressure sensors with corrosive and/or flammable gases or liquids.

## Connection

### ⚠ Caution

1. Incorrect wiring can damage the switch and cause a malfunction or erroneous switch output.
2. Connections should be done while the power is turned off.
3. Wire separately from power lines and high voltage lines, avoiding wiring in the same conduit with these lines. Malfunctions may occur due to noise from these other lines.
4. If a commercial switching regulator is used, make

## Operating Environment

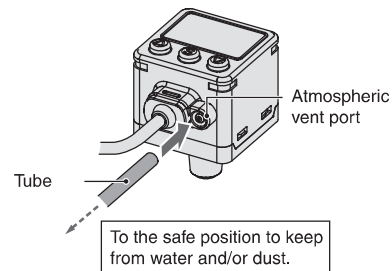
### ⚠ Warning

1. This pressure switch is CE marked; however, it is not equipped with surge protection against lightning. Lightning surge countermeasures should be applied directly to system components as necessary.
2. This pressure switch does not have an explosion proof rating. Never use in the presence of an explosive gas as this may cause a serious explosion.

## Operating Environment

### ⚠ Caution

1. Do not use the product in a place where it could be splashed by oils or solvents.
2. When this pressure switch is used in a place where water and dust splash on, water and dust may enter inside the switch through the atmospheric vent port. Insert a  $\varnothing 4$  tube (I.D.  $\varnothing 2.5$ ) into the atmospheric vent port, and bring piping of the opposite side up to the safe position to keep it from water and dust. Do not bend the tube or close the hole of it. It causes malfunction with the measurement of positive pres-



- \* Make sure that the tube is inserted to the end of the atmospheric vent port.
- \* Use SMC tubing, TU0425. (Material: Polyurethane, Tube O.D.  $\varnothing 4$ , I.D.  $\varnothing 2.5$ )

3. Take measures against static electricity with equipment when this switch is used in connection with resin piping. Also, the ground should be separate from that of the units that generate strong electromagnetic noise or high frequency, otherwise, the switch can be damaged by static electricity.





# Series ZSE40A(F)/ISE40A Specific Product Precautions 2

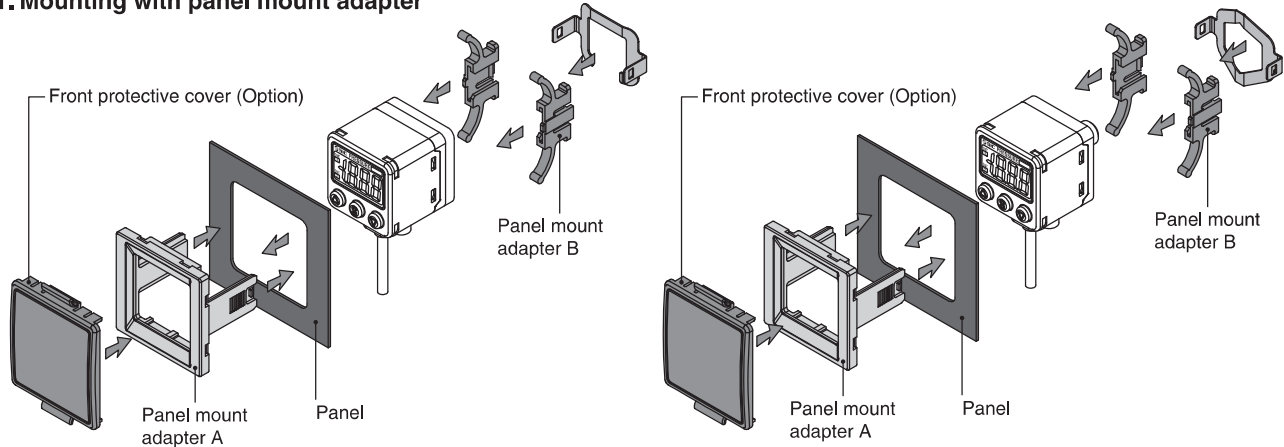
Be sure to read before handling.

Refer to back pages 1 and 2 for Safety Instructions, "Handling Precautions for SMC Products" (M-E03-3) for Pressure Switches Precautions.

## Mounting

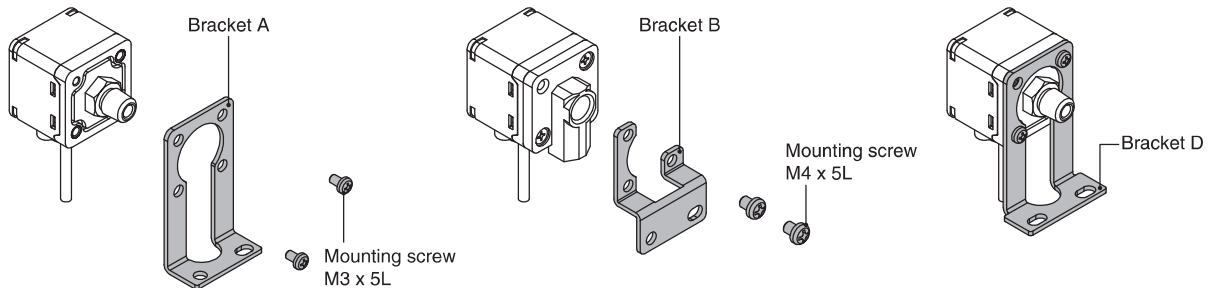
### Caution

#### 1. Mounting with panel mount adapter



#### 2. Mounting with bracket

Mount a bracket to the using two mounting screws and install on piping. The switch can be installed horizontally depending on the installation location.



The tightening torque for bracket mounting screw should be 0.5 to 0.7 N·m for M3 and 1.4 to 1.6 N·m for M4.

## Set Pressure Range and Rated Pressure Range

### Caution

#### Set the pressure within the rated pressure range.

The set pressure range is the range of pressure that is possible in setting.

The rated pressure range is the range of pressure that satisfies the specifications (accuracy, linearity, etc.) on the switch.

Although it is possible to set a value outside the rated pressure range, the specifications will not be guaranteed even if the value stays within the set pressure range.

Switch	Pressure range				
	-100 kPa	0	100 kPa	500 kPa	1 MPa
For vacuum pressure <b>ZSE40A</b>	-101.3 kPa	0			
	-105 kPa	10 kPa			
For compound pressure <b>ZSE40AF</b>	-100 kPa		100 kPa		
	-105 kPa		105 kPa		
For positive pressure <b>ISE40A</b>	-100 kPa				1 MPa
	-105 kPa (-0.105 MPa)				1.05 MPa

Rated pressure range of switch  
 Set pressure range of switch

# Related Equipment

## 2-Colour Display High Precision Digital Pressure Switch *ZSE/ISE30A*



Series	Type	Rated pressure range
<b>ZSE30AF</b>	Compound pressure	-100.0 to 100.0 kPa
<b>ZSE30A</b>	Low pressure/vacuum	0.0 to -101.0 kPa
<b>ISE30A</b>	Positive pressure	0.100 to 1.000 MPa
Features	<ul style="list-style-type: none"> <li>• With one-touch fitting (Straight, Elbow)</li> <li>• Space-saving, capable of vertical and horizontal contact mounting</li> <li>• With display calibration function</li> <li>• Simultaneous copying is possible for maximum 10 units.</li> <li>• IP40</li> </ul>	

## 2-Colour Display Digital Pressure Switch *ZSE/ISE80*



Series	Type	Rated pressure range
<b>ZSE80F</b>	Compound pressure	-100.0 to 100.0 kPa
<b>ZSE80</b>	Vacuum pressure	-101.0 to 0.0 kPa
<b>ISE80</b>	Positive pressure	-0.100 to 1.000 MPa
<b>ISE80H</b>	Positive pressure	-0.100 to 2.000 MPa
Features	<ul style="list-style-type: none"> <li>• Suitable for a wide variety of fluids with stainless diaphragm</li> <li>• IP65</li> <li>• RoHS compliant</li> <li>• Low leakage. VCR®, Swagelok® compatible fittings can be selected.</li> <li>• With one-touch fittings (Straight, Elbow)</li> <li>• Back piping, underside piping</li> </ul>	

Note) VCR® and Swagelok® are trademarks of Swagelok Company.

## ⚠ Safety Instructions

These safety instructions are intended to prevent hazardous situations and/or equipment damage. These instructions indicate the level of potential hazard with the labels of “Caution,” “Warning” or “Danger.” They are all important notes for safety and must be followed in addition to International Standards (ISO/IEC)\*1), and other safety regulations.

- ⚠ **Caution:** **Caution** indicates a hazard with a low level of risk which, if not avoided, could result in minor or moderate injury.
- ⚠ **Warning:** **Warning** indicates a hazard with a medium level of risk which, if not avoided, could result in death or serious injury.
- ⚠ **Danger :** **Danger** indicates a hazard with a high level of risk which, if not avoided, will result in death or serious injury.

- \*1) ISO 4414: Pneumatic fluid power – General rules relating to systems.  
ISO 4413: Hydraulic fluid power – General rules relating to systems.  
IEC 60204-1: Safety of machinery – Electrical equipment of machines.  
(Part 1: General requirements)  
ISO 10218-1: Manipulating industrial robots - Safety.  
etc.

### ⚠ Warning

- 1. The compatibility of the product is the responsibility of the person who designs the equipment or decides its specifications.**  
Since the product specified here is used under various operating conditions, its compatibility with specific equipment must be decided by the person who designs the equipment or decides its specifications based on necessary analysis and test results. The expected performance and safety assurance of the equipment will be the responsibility of the person who has determined its compatibility with the product. This person should also continuously review all specifications of the product referring to its latest catalogue information, with a view to giving due consideration to any possibility of equipment failure when configuring the equipment.
- 2. Only personnel with appropriate training should operate machinery and equipment.**  
The product specified here may become unsafe if handled incorrectly. The assembly, operation and maintenance of machines or equipment including our products must be performed by an operator who is appropriately trained and experienced.
- 3. Do not service or attempt to remove product and machinery/equipment until safety is confirmed.**
  1. The inspection and maintenance of machinery/equipment should only be performed after measures to prevent falling or runaway of the driven objects have been confirmed.
  2. When the product is to be removed, confirm that the safety measures as mentioned above are implemented and the power from any appropriate source is cut, and read and understand the specific product precautions of all relevant products carefully.
  3. Before machinery/equipment is restarted, take measures to prevent unexpected operation and malfunction.
- 4. Contact SMC beforehand and take special consideration of safety measures if the product is to be used in any of the following conditions.**
  1. Conditions and environments outside of the given specifications, or use outdoors or in a place exposed to direct sunlight.
  2. Installation on equipment in conjunction with atomic energy, railways, air navigation, space, shipping, vehicles, military, medical treatment, combustion and recreation, or equipment in contact with food and beverages, emergency stop circuits, clutch and brake circuits in press applications, safety equipment or other applications unsuitable for the standard specifications described in the product catalogue.
  3. An application which could have negative effects on people, property, or animals requiring special safety analysis.
  4. Use in an interlock circuit, which requires the provision of double interlock for possible failure by using a mechanical protective function, and periodical checks to confirm proper operation.

### ⚠ Caution

- 1. The product is provided for use in manufacturing industries.**  
The product herein described is basically provided for peaceful use in manufacturing industries.  
If considering using the product in other industries, consult SMC beforehand and exchange specifications or a contract if necessary.  
If anything is unclear, contact your nearest sales branch.

## Limited warranty and Disclaimer/ Compliance Requirements

The product used is subject to the following “Limited warranty and Disclaimer” and “Compliance Requirements”.  
Read and accept them before using the product.

### Limited warranty and Disclaimer

1. The warranty period of the product is 1 year in service or 1.5 years after the product is delivered.\*2)  
Also, the product may have specified durability, running distance or replacement parts. Please consult your nearest sales branch.
2. For any failure or damage reported within the warranty period which is clearly our responsibility, a replacement product or necessary parts will be provided.  
This limited warranty applies only to our product independently, and not to any other damage incurred due to the failure of the product.
3. Prior to using SMC products, please read and understand the warranty terms and disclaimers noted in the specified catalogue for the particular products.

\*2) Vacuum pads are excluded from this 1 year warranty.

A vacuum pad is a consumable part, so it is warranted for a year after it is delivered.  
Also, even within the warranty period, the wear of a product due to the use of the vacuum pad or failure due to the deterioration of rubber material are not covered by the limited warranty.

### Compliance Requirements

1. The use of SMC products with production equipment for the manufacture of weapons of mass destruction (WMD) or any other weapon is strictly prohibited.
2. The exports of SMC products or technology from one country to another are governed by the relevant security laws and regulations of the countries involved in the transaction. Prior to the shipment of a SMC product to another country, assure that all local rules governing that export are known and followed.

## ⚠ Safety Instructions

Be sure to read “Handling Precautions for SMC Products” (M-E03-3) before using.

### SMC Corporation (Europe)

Austria	☎ +43 (0)226222800	www.smc.at	office@smc.at	Lithuania	☎ +370 5 2308118	www.smclt.lt	info@smclt.lt
Belgium	☎ +32 (0)33551464	www.smc-pneumatics.be	info@smc-pneumatics.be	Netherlands	☎ +31 (0)205318888	www.smc-pneumatics.nl	info@smc-pneumatics.nl
Bulgaria	☎ +359 (0)2807670	www.smc.bg	office@smc.bg	Norway	☎ +47 67129020	www.smc-norge.no	post@smc-norge.no
Croatia	☎ +385 (0)13707288	www.smc.hr	office@smc.hr	Poland	☎ +48 (0)222119616	www.smc.pl	office@smc.pl
Czech Republic	☎ +420 541424611	www.smc.cz	office@smc.cz	Portugal	☎ +351 226166570	www.smc.eu	postpt@smc.smces.es
Denmark	☎ +45 70252900	www.smc.dk.com	smc@smcdk.com	Romania	☎ +40 213205111	www.smcromania.ro	smcromania@smcromania.ro
Estonia	☎ +372 6510370	www.smc-pneumatics.ee	smc@smc-pneumatics.ee	Russia	☎ +7 8127185445	www.smc-pneumatik.ru	info@smc-pneumatik.ru
Finland	☎ +358 207513513	www.smc.fi	smc@smc-pneumatics.ee	Slovakia	☎ +421 (0)413213212	www.smc.sk	office@smc.sk
France	☎ +33 (0)164761000	www.smc-france.fr	promotion@smc-france.fr	Slovenia	☎ +386 (0)73885412	www.smc.si	office@smc.si
Germany	☎ +49 (0)61034020	www.smc-pneumatik.de	info@smc-pneumatik.de	Spain	☎ +34 902184100	www.smc.eu	post@smc.smces.es
Greece	☎ +30 210 2717265	www.smc-hellas.gr	sales@smc-hellas.gr	Sweden	☎ +46 (0)86031200	www.smc.nu	post@smc.nu
Hungary	☎ +36 23511390	www.smc.hu	office@smc.hu	Switzerland	☎ +41 (0)523963131	www.smc.ch	info@smc.ch
Ireland	☎ +353 (0)14039000	www.smc-pneumatics.ie	sales@smc-pneumatics.ie	Turkey	☎ +90 212 489 0 440	www.smc-pneumatik.com.tr	info@smc-pneumatik.com.tr
Italy	☎ +39 0292711	www.smc-italia.it	mailbox@smc-italia.it	UK	☎ +44 (0)845 121 5122	www.smc-pneumatics.co.uk	sales@smc-pneumatics.co.uk
Latvia	☎ +371 67817700	www.smc.lv	info@smc.lv				