

Signal lamp with integrated filament lamp, 10 mm, square bezel, 28 Volt, bezel green, Flat quick-connect terminal 2.8 x 0.8 tin-plated



fields of application

- › Measurement-control-regulation
- › Electrical engineering
- › Mechanical and system engineering
- › Signalling systems
- › Model construction

special features

- › Three shapes: round, square or arrow-shaped
- › Integrated luminous element
- › Filament lamp, 28 V, color: yellow
- › Neon lamp, 230 V, color: red
- › Luminous element neon lamp, 230 V, color: green or blue



description

Signal lamps with integrated filament lamp, neon lamp or luminous element neon lamp, mounting hole diameter 10 mm

technical data

› general

| | |
|---|-------------|
| Bezel color | green |
| Property of bezel / mushroom | transparent |
| Bezel shape | square |
| illuminated | Yes |
| Packaging unit | 10 pcs. |
| net weight | 2.4 g |
| Degree of protection, front side, according to DIN EN 60529 | IP40 |
| MOQ order | 10 pcs. |
| RoHS compliant | Yes |
| REACH compliant | Yes |

direct links

- › [RAFI eCatalog](#)

› mounting diameters

| | |
|---------------------|-------|
| Mounting hole | 10 mm |
| Mounting depth | 30 mm |
| Installation height | 3 mm |

› mechanical data

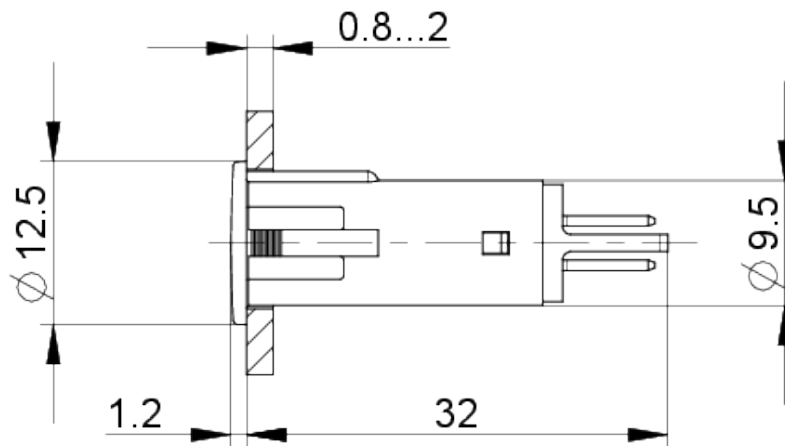
| | |
|----------------------|--|
| Fixing | Pushing into mounting hole |
| Terminal on the rear | Flat quick-connect terminal 2.8 x 0.8 tin-plated |
| Solderability | Yes |

› electrical data

| | |
|---|------|
| Operating voltage of the luminous element, max. | 28 V |
|---|------|

drawings

Dimensioned drawing



Mounting hole drawing

