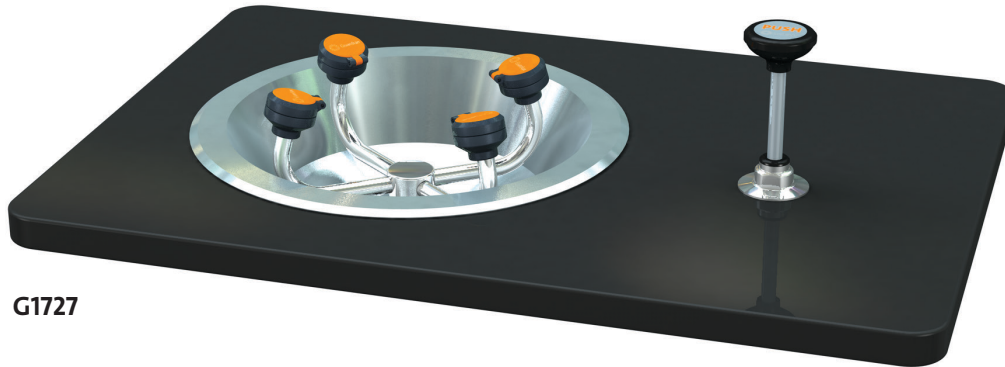
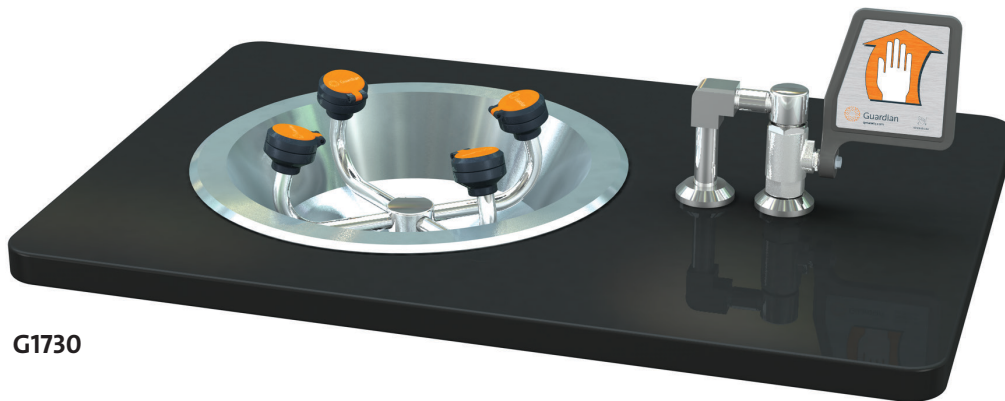




- G1727** WideArea™ Eye/Face Wash, Recess Deck Mounted, Push-Down Valve
- G1730** WideArea™ Eye/Face Wash, Recess Deck Mounted, Ball Valve with Flag Handle



G1727



G1730

Application: WideArea™ eye/face wash for recessed mounting in countertop. Four GS-Plus™ spray-type outlet heads deliver a flood of water over a wide area of coverage for complete rinsing of eyes and face.

Spray Head Assembly: Four GS-Plus™ spray heads. Each head has a “flip top” dust cover, internal flow control and filter to remove impurities from the water flow.

Valve: 1/2" IPS brass stay-open ball valve. G1727 has valve mounted below counter and activated by push-down knob. G1730 has valve mounted above counter and activated by flag handle.

Bowl: 13" diameter flanged stainless steel bowl for recessed mounting in countertop. Furnished with all hardware necessary for installation in counter.

Valve Supply: 1/2" NPT male inlet.

Waste: 1-1/4" NPT female outlet.

Sign: ANSI-compliant identification sign.

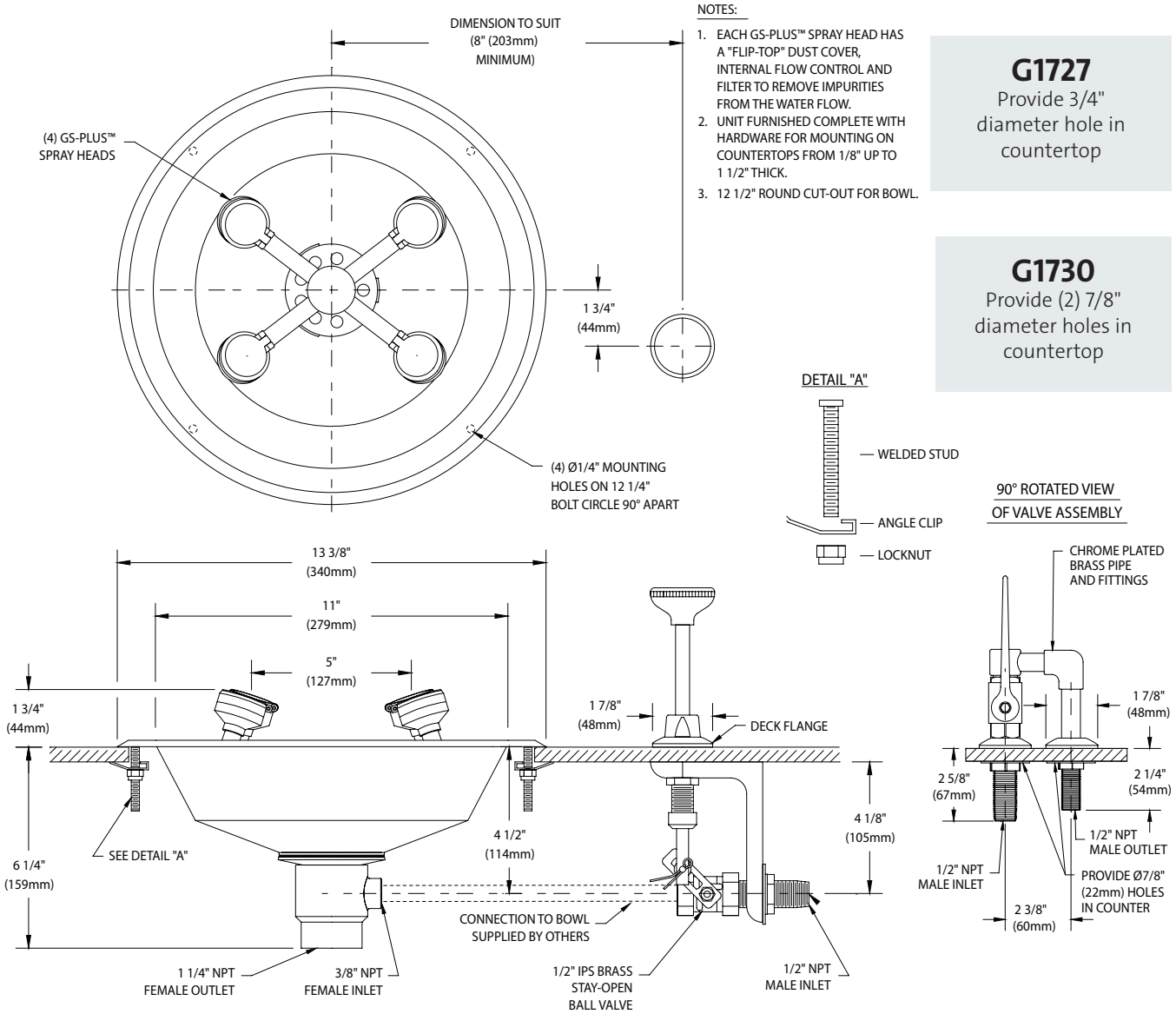
Quality Assurance: Unit is completely assembled and water tested prior to shipment.

Available Options

- T** Chrome plated brass tailpiece and trap with 1-1/2" IPS waste connection.
- TP** 1-1/2" OD chrome plated brass tailpiece.
- G3600LF** Thermostatic mixing valve precisely blends hot and cold water to deliver warm (tepid) water as required by ANSI Z358.1-2014. Refer to “Tempering Valves” section for complete technical and product selection information.



- G1727** WideArea™ Eye/Face Wash, Recess Deck Mounted, Push-Down Valve
- G1730** WideArea™ Eye/Face Wash, Recess Deck Mounted, Ball Valve with Flag Handle



THIS SPACE FOR ARCHITECT/ENGINEER APPROVAL

Due to continuing product improvement, the information contained in this document is subject to change without notice. All dimensions are ± 1/4" (6mm). rev. 081018

Sign Included

