

Product data sheet

Specifications



buffer module - 24..28.8 V DC - 40 A - for power supply

ABL8BUF24400

Main

Range of product	Phaseo
Product or component type	Buffer module
Input voltage	24...28.8 V DC
Output voltage	(U _{in} -0.25) V in nominal mode DC (U _{in} -1) V in buffer mode DC
Maximum output current	40 A
Holding time	0.1 s at 40 A 6 s at 0.5 A

Complementary

Input voltage limits	22...30 V
Maximum power dissipation in W	15 W
Activation threshold	(U _{in} -1) V and 22 V min
Charging time	25 s
Number of output channels	1
Current consumption	0.6 A on load 0.1 mA no load ≤ 40.6 A
Output protection type	Against overload, protection technology: > 45 A Against short-circuits, protection technology: power-supplied mode, automatic reset Against undervoltage, protection technology: tripping if U < 19 V
Connections - terminals	For input connection: screw type terminals, connection capacity: 2 x 0.5...2 x 10 mm ² AWG 20...AWG 8 For output connection: screw type terminals, connection capacity: 2 x 0.5...2 x 10 mm ² AWG 20...AWG 8 For diagnostic relay: removable screw terminal block, connection capacity: 1 x 2.5 mm ² AWG 14
Fixing mode	By clips on 35 mm symmetrical DIN rail, operating position: horizontal By clips on 35 mm symmetrical DIN rail, operating position: vertical
Output coupling	Parallel
Operating altitude	2000 m
Marking	CE
Name of test	Electrostatic discharges conforming to EN/IEC 61000-4-2 Emission conforming to EN 61000-6-3 Induced electromagnetic field conforming to EN/IEC 61000-4-6 level 3 Radiated electromagnetic field conforming to EN/IEC 61000-4-3 level 3 Rapid transient conforming to IEC 61000-4-4 level 3 Surge conforming to EN/IEC 61000-4-5 level 2 Conducted/radiated emissions conforming to EN 55022 class B, 20 %
Local signalling	1 LED (green) for buffer ready

1 relay for buffer ready

Net weight 1.2 kg

Environment

Product certifications RCM
EAC

Standards UL 508
CSA C22.2 No 60950-1

Ambient air temperature for operation -25...60 °C

Ambient air temperature for storage -40...85 °C

Environmental characteristic EMC conforming to EN 61000-6-3
EMC conforming to EN/IEC 61000-6-2
Safety conforming to EN/IEC 60950-1
Safety conforming to EN/IEC 61204-3

IP degree of protection IP20 conforming to EN/IEC 60529

Dielectric strength 500 V between input and ground
500 V between output and ground

Overvoltage category Class II conforming to VDE 0106-1

Relative humidity 0...90 % during operation
0...95 % during storage

MTBF reliability 1119603 H at 24 V DC with UTE C80-810 calculation method

Vibration resistance 2 gn (f= 11.9...150 Hz) conforming to EN/IEC 61131-2
3.5 mm (f= 3...11.9 Hz) conforming to EN/IEC 61131-2

Packing Units

Unit Type of Package 1 PCE

Number of Units in Package 1 1

Package 1 Weight 1.401 kg

Package 1 Height 11.5 cm

Package 1 width 17 cm

Package 1 Length 18.2 cm

Unit Type of Package 2 P06

Number of Units in Package 2 60

Package 2 Weight 97.06 kg

Package 2 Height 80 cm

Package 2 width 80 cm

Package 2 Length 60 cm

Offer Sustainability

REACH Regulation [REACH Declaration](#)

EU RoHS Directive Pro-active compliance (Product out of EU RoHS legal scope)
[EU RoHS Declaration](#)

Mercury free Yes

RoHS exemption information [Yes](#)

China RoHS Regulation [China RoHS declaration](#)

PVC free Yes

California proposition 65 WARNING: This product can expose you to chemicals including: Lead and lead compounds, which is known to the State of California to cause cancer and birth defects or other reproductive harm. For more information go to www.P65Warnings.ca.gov

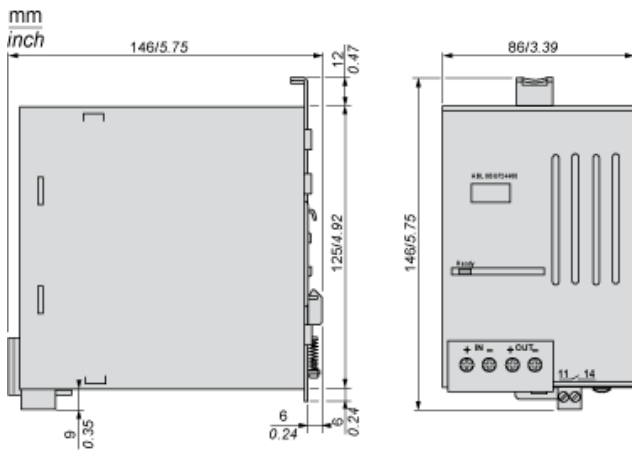
Contractual warranty

Warranty

18 months

24...28.8 Vdc/40 A Power Supply Buffer Module

Dimensions



24...28.8 Vdc/40 A Power Supply Buffer Module

Mounting



Wiring Requirements

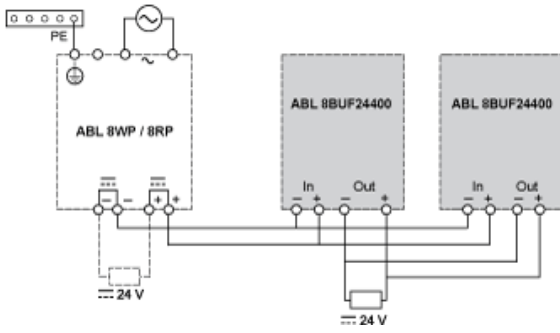
Cable Types and Wire Sizes

	ABL 8RPS24030 8RPS24050 8RPS24100 8RPM24200 8WPS24200/24400
+ In - mm ² /AWG $\varnothing \leq 4 \text{ mm}^2$ $\varnothing \leq 12 \text{ AWG}$	1...4 / 16...12
+ Out - mm ² /AWG	1...4 / 16...12 4...10 / 12...6
	4 / 0.16
11...14 mm ² /AWG	- 0,2...2,5 / 24...14

Paralleling Power Supply Buffer Modules

Wiring Diagram

Two outputs of buffer modules at maximum can be connected in parallel.



Supply by R/C (NMTR2, NMTR8), (E164867), Model ABL8 series.