

Pressure Sensor Controller

PSE300 Series



How to Order



DIN rail/terminal block type

PSE3 0 0 T - M

Connector type

PSE3 0 0 - M



Input specifications

0	Voltage input
1	Current input

Input/Output specifications

0	NPN 2 outputs + 1-5 V output
1	NPN 2 outputs + 4-20 mA output
2	NPN 2 outputs + Auto-shift input
3	PNP 2 outputs + 1-5 V output
4	PNP 2 outputs + 4-20 mA output
5	PNP 2 outputs + Auto-shift input

Unit specifications

Nil	With display unit switching function (Note 1)
M	Fixed SI unit (Note 2)

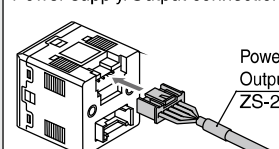
Note 1) Under the New Measurement Law, sales of switches with the unit switching function are not allowed for use in Japan.

Note 2) Fixed unit

For vacuum, low pressure, low differential pressure and compound pressure: kPa
For positive pressure: MPa (For 1 MPa)
kPa (For 500 kPa)

Option 1

Nil	None
L	Power supply/Output connection cable



Note) The cable is not attached to the product, but is included with the shipment.

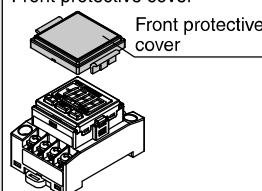
Order DIN rail separately. Refer to page 161.

Option/Part No.

Description	Part no.	Note
Power supply/Output connection cable (2 m)	ZS-28-A	
Bracket	ZS-28-B	With M3 x 5L (2 pcs.)
Sensor connector (1 pc. per set)	ZS-28-C	For the PSE500 series (Excludes the PSE570 series)
	ZS-28-CA-4	For PSE570 series
Panel mount adapter	ZS-27-C	With M3 x 8L (2 pcs.)
Panel mount adapter + Front protective cover	ZS-27-D	With M3 x 8L (2 pcs.)
Front protective cover	ZS-27-01	1 pc.

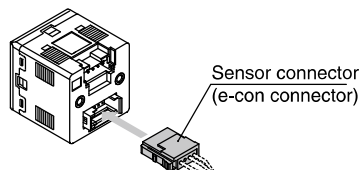
Option

Nil	None
E	Front protective cover



Option 3

Nil	None
C	Sensor connector

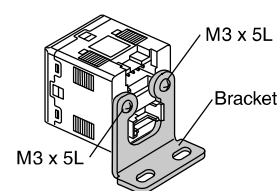


Note) The connector is not attached to the cable, but is included with the shipment.

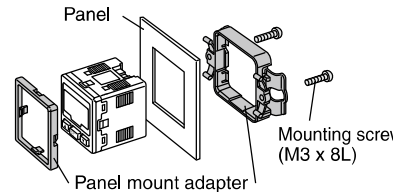
Note) This connector cannot be used with the PSE570 series.

Option 2

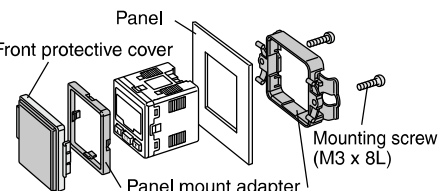
Nil	None
A	Bracket



B	Panel mount adapter
---	---------------------



D	Panel mount adapter + Front protective cover
---	--



Note) These options are not attached to products, but are included with the shipment.