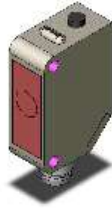


Color Mark Detection Compact Photoelectric Sensor

## E3ZM-V66



Image

Diffuse-reflective (mark detection), Sensing distance 10 to 14 mm, Set in the order of the teaching operation, NPN, M8 connector models, White LED (450 to 700 nm), Remote control input

<b>Sensing method</b>	Diffuse-reflective (mark detection)
<b>Sensing distance</b>	10 to 14 mm
<b>Light source</b>	White LED (450 to 700 nm)
<b>Connection method</b>	M8 connector models

Ratings/Performance

As of August 25, 2020

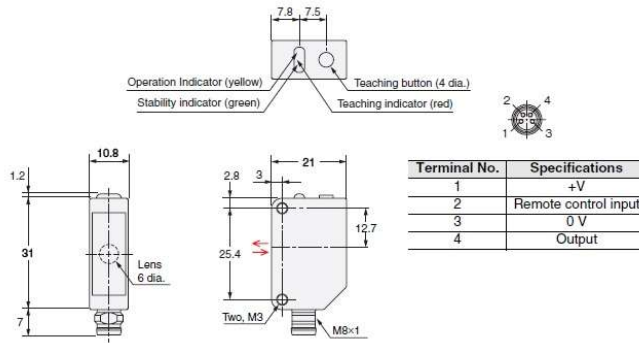
<b>Shape</b>	Square type
<b>Sensing method</b>	Diffuse-reflective (mark detection)
<b>Sensing distance</b>	10 to 14 mm
<b>Spot size</b>	2 mm dia. max.
<b>Light source</b>	White LED (450 to 700 nm)
<b>Power supply voltage</b>	10 to 30 VDC ripple (p-p) 10% included
<b>Current consumption</b>	25 mA max.
<b>Power consumption</b>	750 mW max. (30 VDC)
<b>Control output</b>	NPN open collector 30 VDC max. 100 mA max. Residual voltage: 2 V max.
<b>Operation mode</b>	Set in the order of the teaching operation
<b>Protective circuit</b>	Output short-cut protection, Output reverse polarity protection, Power supply reverse polarity protection
<b>Response time</b>	Operate or reset: 50 μs max.
<b>Sensitivity setting</b>	Teaching method
<b>Ambient illuminance</b>	Incandescent lamp: 3,000 lx max. Sunlight: 10,000 lx max.
<b>Ambient temperature range (Operating)</b>	-40 to 60 °C (with no freezing or condensation)
<b>Ambient temperature range (Storage)</b>	-40 to 70 °C (with no freezing or condensation)
<b>Ambient humidity range (Operating)</b>	35 to 85% (with no condensation)
<b>Ambient humidity range (Storage)</b>	35 to 95% (with no condensation)
<b>Insulation resistance</b>	20 MΩ min. (500 VDC megger)
<b>Dielectric strength</b>	1000 VAC 50/60 Hz 1 min
<b>Vibration resistance</b>	Destruction: 10 to 55 Hz, 1.5 mm double amplitude each in X, Y, and Z directions for 2 h
<b>Shock resistance</b>	Destruction: 500 m/s <sup>2</sup> 3 times each in X, Y and Z directions
<b>Degree of protection</b>	IEC: IP67 IP69K (DIN40050-9)
<b>Connection method</b>	M8 connector models
<b>Indicator</b>	Operation indicator (yellow), Stability indicator (green), Teaching indicator (red)
<b>Weight</b>	Package: Approx. 35 g
<b>Accessories</b>	Instruction manual
<b>Material</b>	Case: SUS316L Lens: Methacrylate resin

Display: Polyether sulfone  
 Buttons: Fluorocarbon rubber  
 Cable: PVC

As of August 25, 2020

Dimensions

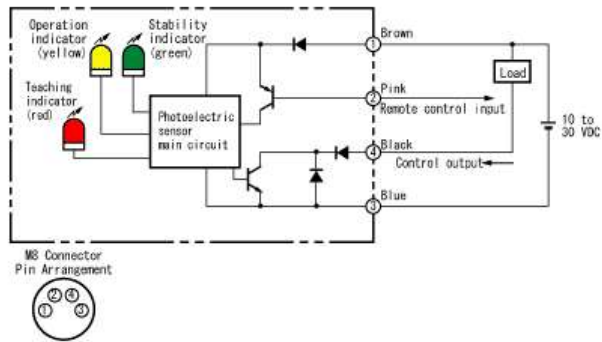
As of August 25, 2020



As of August 25, 2020

Output circuit diagram

As of August 25, 2020



As of August 25, 2020