



## Wireless position switch

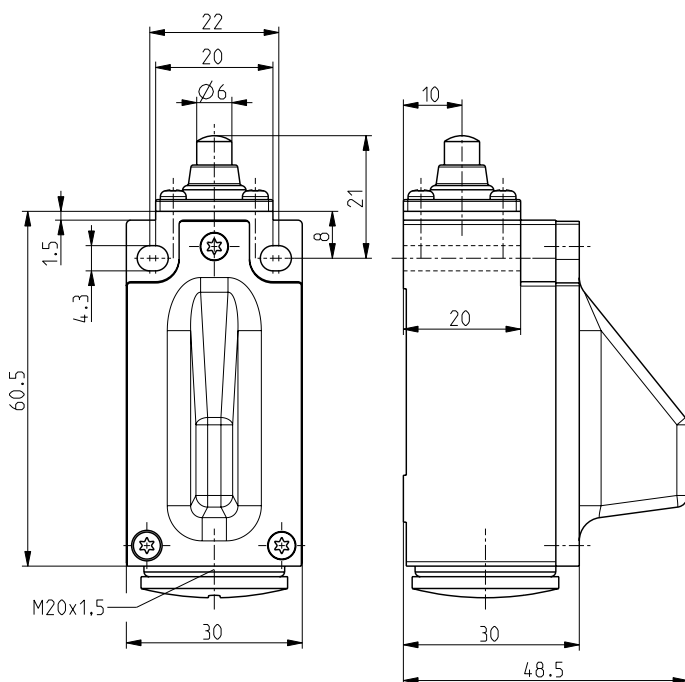
RF 95 W LR SW915

Material number: 1190527 (Material number old: 95902005)

### Features/Options:

- Thermoplastic enclosure
- Design to EN 50047
- sWave® wireless technology
- No power supply, no wiring and pipe laying required
- Easy programming of receiver
- Output signal can be individually configured at the receiver
- Actuator: Plunger with collar W
- Actuator type B to EN 50047
- Watertight collar for protection against penetration of dirt

### Dimensions



### Technical data

|                      |   |
|----------------------|---|
| Standards            | EN 60947-5-1; EN 61000-6-2, -6-3; EN 61000-4-2, -4-20; EN 301 489-1; EN 301 489-3; EN 300 220-1; EN 300 220-2 |
| Enclosure            | glass-fibre reinforced, shock-proof thermoplastic (PA 66), self-extinguishing UL 94-V0                        |
| Cover                | glass-fibre reinforced, shock-proof thermoplastic (PA 66), self-extinguishing UL 94-V0                        |
| Tightening torque    | mounting screw enclosure: max. 1.2 ... 1.3 Nm   |
| Degree of protection | IP 67 to IEC/EN 60529   |
| Protocol             | sWave®  |
| Ambient temperature  | -20 °C ... +65 °C   |
| Operation cycles     | approx. 12000 telegrams at repetitions/h  |
| Voltage supply       | Electrodynamic energy generator   |
| Frequency            | 915 MHz (USA, Canada and Mexico)  |
| Transmission power   | < 10 mW   |
| Data rate            | 66 kbps   |
| Channel bandwidth    | 550 kHz   |
| Wireless range       | max. 450 m outside, max. 40 m inside  |
| Mechanical life      | > 1 million operations  |
| Actuating time       | min. 80 ms  |
| Note                 | no status signal available  |
| Approvals            | USA: FCC - XK5-RF95SW915SR;<br>Canada: IC - 5158A-RF95SW915SR<br>Mexico: IFT - RCPSTRF17-1885                 |

Errors and omissions excepted.



Wireless position switch

RF 95 W LR SW915

Material number: 1190527 (Material number old: 95902005)

## Switching diagram

