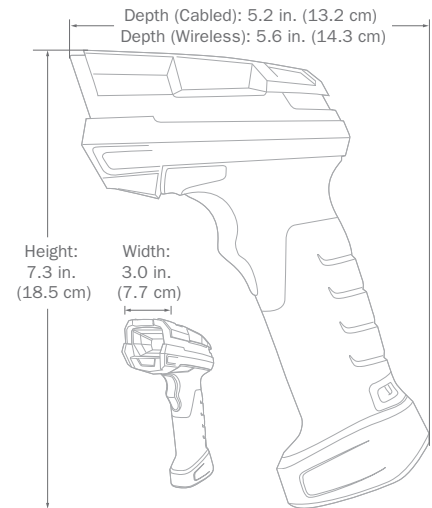


HS-360X

SPECIFICATIONS AND OPTIONS



DIMENSIONS

Corded: Height: 7.3 in. (18.5 cm); Width: 3.0 in. (7.7 cm); Depth: 5.2 in. (13.2 cm); Weight: 10.72 oz./304 g

Cordless: Height: 7.3 in. (18.5 cm); Width: 3.0 in. (7.7 cm); Depth: 5.6 in. (14.3 cm); Weight: 14.18 oz. (402 g)

USER ENVIRONMENT

Operating Temperature: Corded: -22° F to 122° F (-30° C to 50° C); Cordless: -4° F to 122° F (-20° C to 50° C)

Storage Temperature: Corded: -40° F to 158° F (-40° C to 70° C); Cordless: -40° F to 158° F (-40° C to 70° C)

Humidity: 5% to 95% non-condensing

Drop Specification: Withstands multiple 8.0 ft./2.4 m drops to concrete

Tumble Specification: 5,000 tumbles @ 3.3 ft. (1 m)

Enclosure: Reader: IP65 and IP67; Cradle: IP65

ESD: Per EN61000-4-2, ±20 KV air discharge, ±10 KV direct discharge, ±10 KV indirect discharge

Ambient Light Immunity: 0 to 10,037 foot-candles/0 to 108,000 Lux (direct sunlight)

Industrial Fluids Tested and Tolerable:

Motor/Engine Oil, Automatic Transmission Fluid (ATF), Continuously Variable Transmission Fluid (CVT), Industrial De-Greaser (Engine Brite Heavy Duty), Brake Fluid (DOT4)

ELECTRICAL

Input Voltage Range: Host-Powered: 4.5VDC min., 5.5 VDC max.; External Power Supply: 11.4 VDC min., 12.6 VDC max.

Operating Current: HDS-3608 (Corded): 360 mA (RMS typical)

Standby Current: HDS-3608 (Corded): 100 mA (RMS typical)

Battery: PowerPrecision+ 3100 mAh Li-Ion, Rechargeable (Included with wireless model)

COMMUNICATION

USB (HID Keyboard, USB Virtual COM), RS-232

WIRELESS CONNECTIVITY

Bluetooth Radio: Bluetooth Class 1, Version 4.0 (LE), serial port (SPP) and HID profiles

Data Rate: 3 Mbit/s (2.1 Mbit/s) for Classic Bluetooth; 1 Mbit/s (0.27 Mbit/s) for Low-Energy

Radio Range: Direct line of sight in open air: Class 1: Minimum 300 ft. (100.0 m); Class 2: Minimum 30 ft. (10.0 m)

ILLUMINATION

Direct: 2 warm white light LED;

Diffuse: Ring of red 634 nm LEDs

Targeting: 655 nm laser

INDICATORS

Direct Decode Indicator; LEDs; Beeper; Vibration

PERFORMANCE

Scans Per Full Charge: 100,000+

Imager Field of View: Horizontal: 31°; Vertical: 23°

Image Sensor: 1,280 x 960 pixels

Minimum Print Contrast: 15% minimum reflective difference

Skew/Pitch/Roll: Skew: ±60°; Pitch: ±60°; Roll: ±360°

UTILITIES

WebLink_{pc} allows you to configure the reader, upgrade firmware, and display decoded symbol data.

SYMBOLOGIES

2D: Data Matrix, Composite Codes, TLC-39, Aztec, MaxiCode, QR Code, Micro QR, Chinese Sensible (Han Xin), Postal Symbolologies, DotCode

Stacked: PDF417, MicroPDF417

Linear: Code 39, Code 128, Code 93, Codabar/NW7, Code 11, MSI Plessey, UPC/EAN, I 2 of 5, Korean 3 of 5, GS1 DataBar, Base 32 (Italian Pharma)

REGULATORY

Environmental: RoHS EN 50581: 2012

Electrical Safety: EU Safety: EN 60950-1: 2006+A11:2009+A1:2010+A12:2011+AC: 2011+A2:2013; International Safety: IEC 60950-1:2005+A1:2009+A2:2013;

US/Canada Safety: UL 60950-1 (Ed. 2), CAN/CSA-C22.2 No. 60950-1-07

Laser/LED Safety: Exempt Risk Group LED per IEC/EN 62471 (Ed. 1); Class 2 Laser per IEC/EN 60825-1 (Ed. 3); Complies with 21 CFR 1040.10

EMI/RFI: IT Emissions: EN 55022:2010/AC: 2011 (Class B); IT Immunity: EN 55024: 2010; Heavy Industrial: EN 61000-6-2: 2005/AC:2005; Harmonic Current Emissions: EN 61000-3-2:2006+A1:2009+A2:2009 (Class B); Voltage Fluctuation and Flicker: EN 61000-3-3:2013; Medical Electrical Equipment: EN 60601-1-2:2007/AC:2010, IEC 60601-1-2:2007 (Modified); Radio Frequency Devices: 47 CFR Part 15, Subpart B, Class B Digital Apparatus: ICES-003 Issue 5, Class B

QMS CERTIFICATION

www.microscan.com/quality

©2018 Omron Microscan Systems, Inc. SP103B-EN1018
Specifications are subject to change.

For complete technical information, please see the user manual.
Warranty – For current warranty information about this product, please visit www.microscan.com/warranty.

OMRON
MICROSCAN

www.microscan.com

HS-360X READ RANGES

Read Ranges

| Symbology | Resolution | Inside Edge | Outside Edge |
|-------------|------------|-------------------------------|--------------------------------|
| Code 39 | 3.0 mil | 0.2 in. (0.5 cm) | 2.8 in. (7.1 cm) |
| Code 39 | 5.0 mil | 0.2 in. (0.5 cm) | 2.8 in. (7.1 cm) |
| PDF417 | 6.6 mil | 0.2 in. (0.5 cm) ¹ | 3.2 in. (8.1 cm) ¹ |
| Data Matrix | 5.0 mil | 0.4 in. (1.0 cm) | 2.5 in. (6.3 cm) |
| Data Matrix | 10.0 mil | 0.0 in. (0.0 cm) | 3.4 in. (8.6 cm) |
| QR Code | 5.0 mil | 0.4 in. (1.0 cm) | 2.5 in. (6.3 cm) |
| QR Code | 10.0 mil | 0.0 in. (0.0 cm) | 3.4 in. (8.1 cm) |
| UPC | 13.0 mil | 1.0 in. (2.5 cm) ¹ | 5.8 in. (14.7 cm) ¹ |

¹Field of view and barcode width limited. Read ranges measured with Decoder Effort Level 1. Barcodes printed on photographic paper. 30 foot-candles ambient light conditions during testing.