



Wireless position switch

RF 95 WH LR SW915

Material number: 1248377 (Material number old: 95914006)

Features/Options:

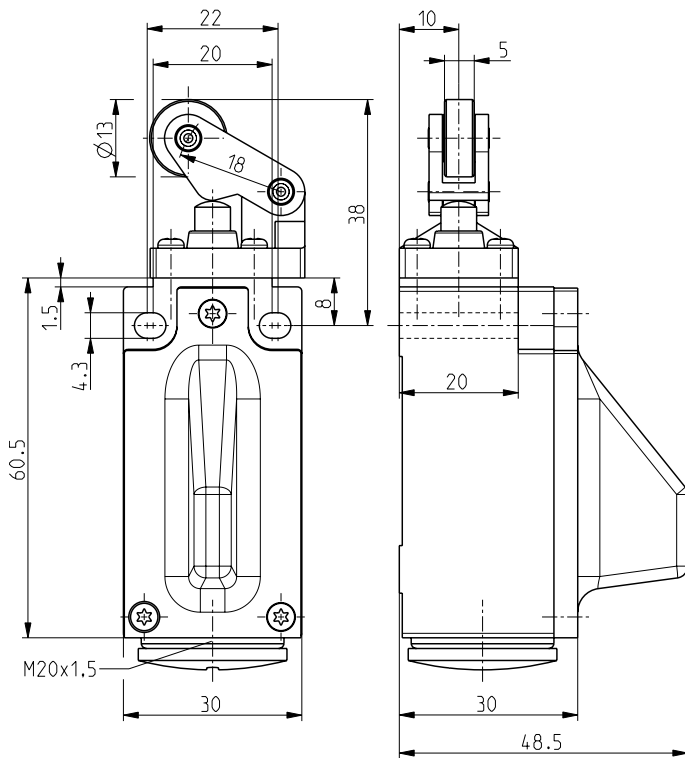
- Thermoplastic enclosure
- Design to EN 50047
- sWave® wireless technology
- No power supply, no wiring and pipe laying required
- Easy programming of receiver
- Output signal can be individually configured at the receiver

- Actuator: Roller lever with collar WH
- Actuator type E to EN 50047
- Actuating speed max. 0.5 m/s with a vertical actuating angle of $\alpha = 40^\circ$ and $\beta = 25^\circ$
- Watertight collar for protection against penetration of dirt
- Wear-resistant plastic roller
- Actuator can be repositioned by $4 \times 90^\circ$

Notes

- With metal roller available on request

Dimensions



Technical data

Standards	EN 60947-5-1; EN 61000-6-2, -6-3; EN 61000-4-2, -4-20; EN 301 489-1; EN 301 489-3; EN 300 220-1; EN 300 220-2
Enclosure	glass-fibre reinforced, shock-proof thermoplastic (PA 66), self-extinguishing UL 94-V0
Cover	glass-fibre reinforced, shock-proof thermoplastic (PA 66), self-extinguishing UL 94-V0
Tightening torque	mounting screw enclosure: max. 1.2 ... 1.3 Nm
Degree of protection	IP 67 to IEC/EN 60529
Protocol	sWave®
Ambient temperature	-20 °C ... +65 °C
Operation cycles	approx. 12000 telegrams at repetitions/h
Voltage supply	Electrodynamic energy generator
Frequency	915 MHz (USA, Canada and Mexico)
Transmission power	< 10 mW
Data rate	66 kbps
Channel bandwidth	550 kHz
Wireless range	max. 450 m outside, max. 40 m inside
Mechanical life	> 1 million operations
Actuating time	min. 80 ms
Note	no status signal available

Errors and omissions excepted.



Wireless position switch

RF 95 WH LR SW915

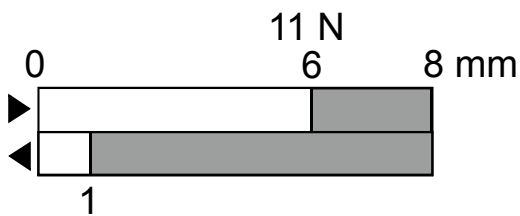
Material number: 1248377 (Material number old: 95914006)

Technical data

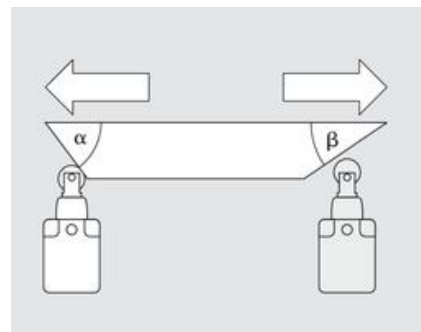
Approvals

USA: FCC - XK5-RF95SW915SR;
Canada: IC - 5158A-
RF95SW915SR
Mexico: IFT - RCPSTRF17-1885

Switching diagram



Actuating angles



α - Actuating angle from right of switch axis

β - Actuating angle from left of switch axis as shown in picture