



## Wireless receivers with relay outputs

### RF Rx SW915-4S 24VDC

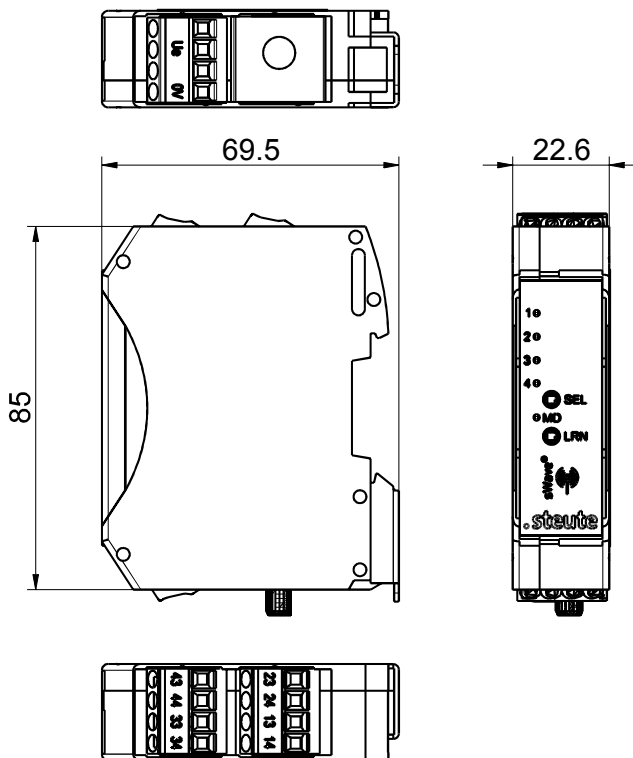
Material number: 1370677

#### Features/Options:

- sWave® wireless technology
- 4 potential-free relay outputs
- 4 NO contacts, max. 3 A

- Transmitter/receiver assignment by teaching mode
- LEDs for indication of switching state
- SMA reverse plug-in connector for external antenna

#### Dimensions



#### Technical data

Standards	EN 60947-5-1; EN 61000-6-2, -6-3, -4-2, -4-20, EN 61000-4-4, -4-5, -4-6; EN 60068-2-6, EN 60068-2-27; EN 301 489-1; EN 301 489-3; EN 300 220-1; EN 300 220-2
Number of channels	4
Mounting	DIN rail mounting
Connection	screw terminals 0.14 mm <sup>2</sup> - 2,5 mm <sup>2</sup> , stripping length 8 mm
Degree of protection	IP 20 to IEC/EN 60529
Inputs	4 wireless channels, max. 40 transmitters
Outputs	4 NO contacts (relay)
Rated operating current I <sub>e</sub>	24 VDC: max. 0.1 A
Rated operating voltage U <sub>e</sub>	24 VDC -15 % ... +10 %
I <sub>e</sub> /U <sub>e</sub> of output contacts	3 A / 250 VAC; 3 A / 24 VDC
Utilisation category	AC-15; DC-13
U <sub>i</sub>	250 VAC
U <sub>imp</sub>	2.5 kV
Frequency	915 MHz (USA, Canada and Mexico)
Channel bandwidth	550 kHz
Display	green LED: operating state, orange LED: switching conditions
Operation cycles	approx. 12000 telegrams at repetitions/h
Degree of pollution	2 to IEC/EN 60664-1
Ambient temperature	0 °C ... +55 °C
Storage and shipping temperature	-25 °C ... +85 °C
External antenna	always required for optimum wireless range

Errors and omissions excepted.



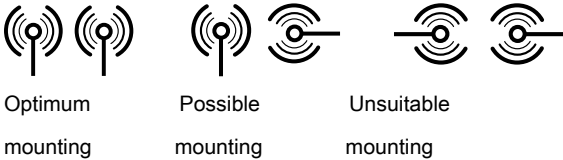
## Wireless receivers with relay outputs RF Rx SW915-4S 24VDC Material number: 1370677

### Technical data

**Note** Inductive loads (contactors, relays etc.) are to be suppressed by suitable circuitry. Switching contacts are not suitable for capacitive loads.

**Approvals** USA: FCC - XK5-RFRXSW915;  
Canada: IC - 5158A-RFRXSW915  
Mexico: IFT - RCPSTRF17-1886  


### Arrangement of receiver and switch antenna



**Note**  
Magnetic base antennae must be mounted on a metal plate of min. 250 x 250 mm size.